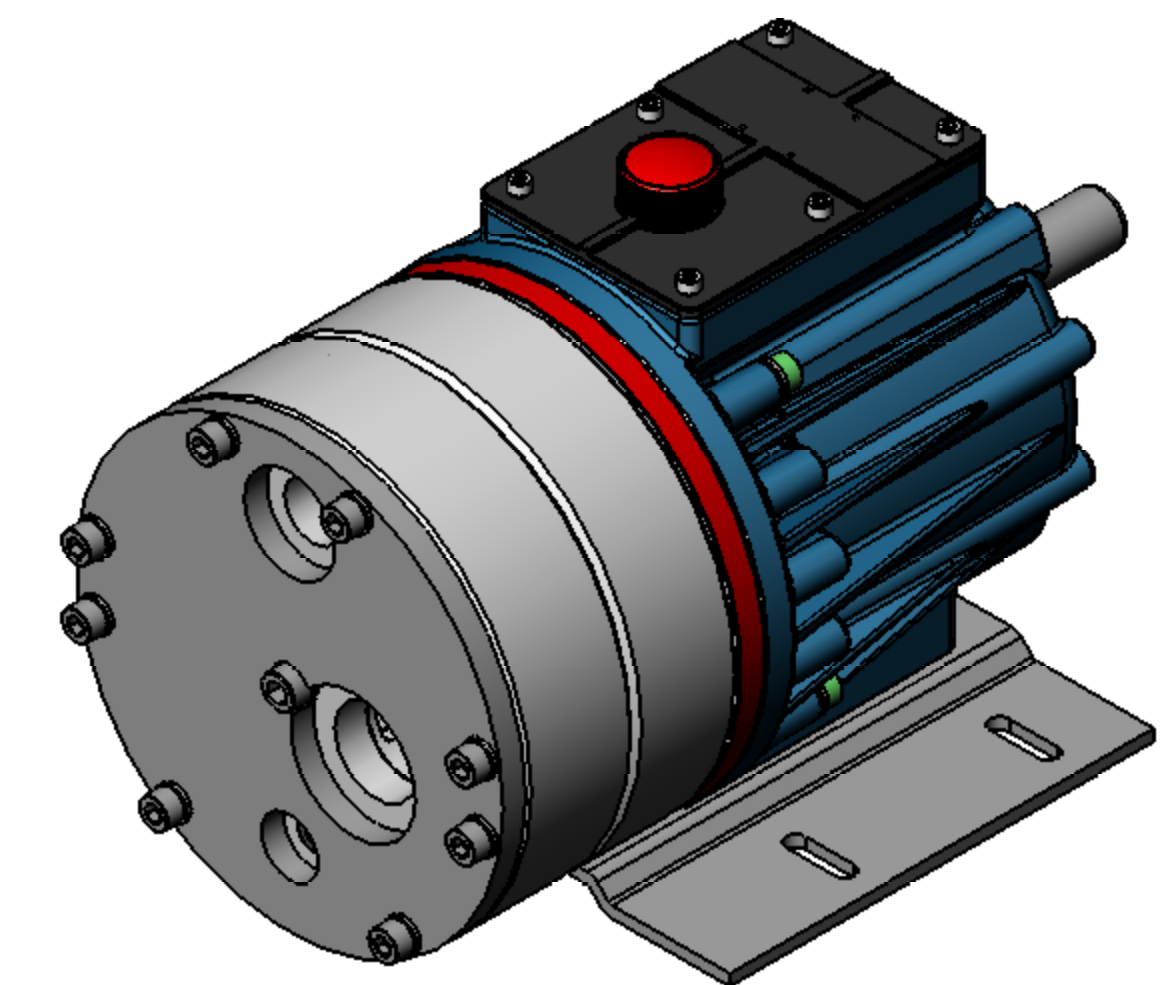
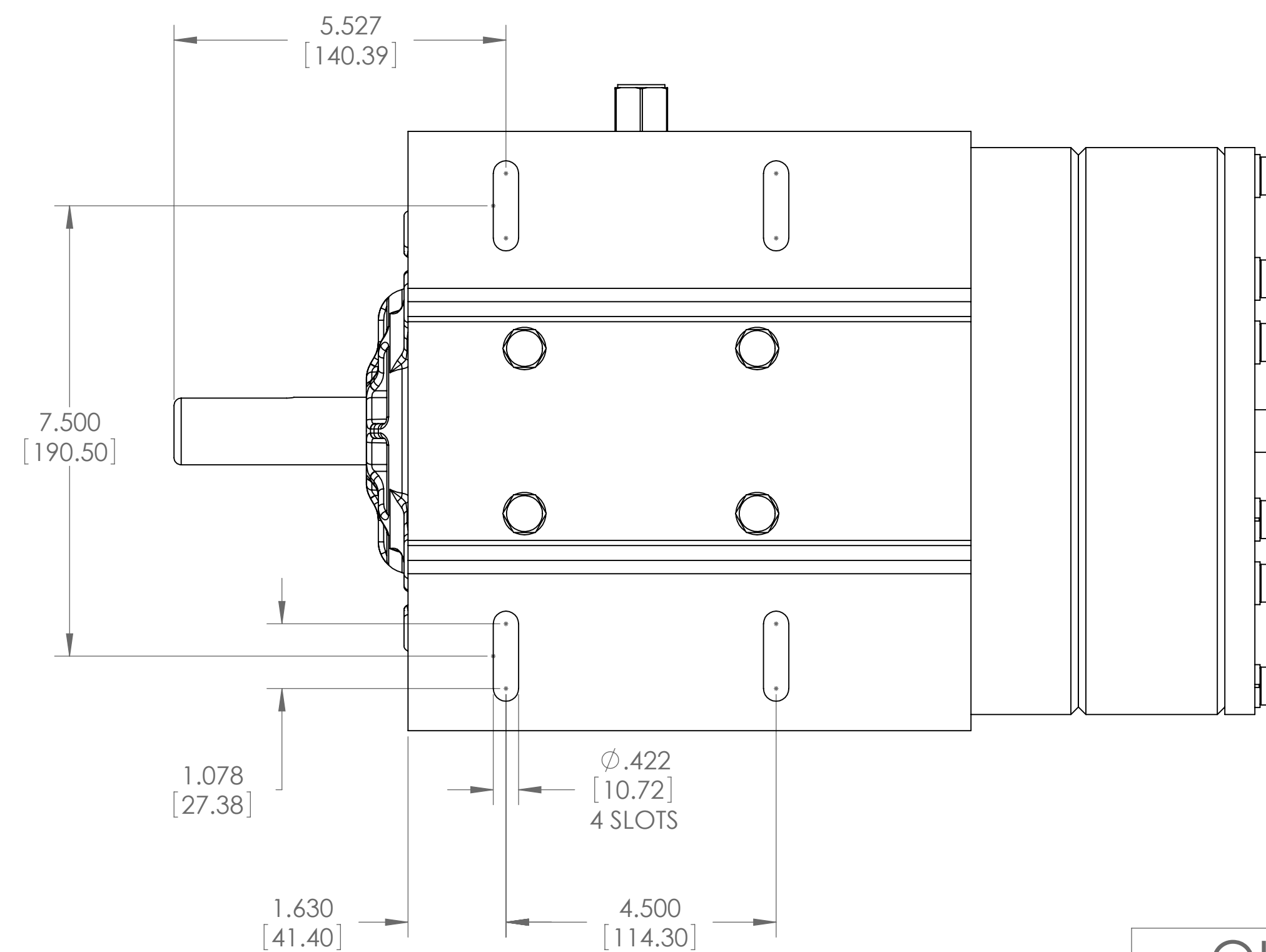


ISOMETRIC VIEW  
SCALE: 1:3



ISOMETRIC VIEW  
SCALE: 1:3

**OUTLINE DRAWING**  
ALL DIMENSIONS ARE REFERENCE

PROPRIETARY STATEMENT  
This document contains confidential and proprietary information and is not to be reproduced or the information contained therein disclosed to others without consent, in writing, from WANNER ENGINEERING INC.

DWN	07/28/08	MLS
CHK'D		
APP'D		
USED ON		
NEXT ASSY		
SHEET 1 OF 1		
SCALE: 1:2	FORM DBLK	

WANNER ENGINEERING INC  
1204 CHESTNUT AVE. MPLS, MN 55403

TITLE  
OUTLINE DRAWING, H25 PLASTIC STANDARD FACE

DWG NO  
H25-P-STD-OD

SIZE  
D  
REV.  
A