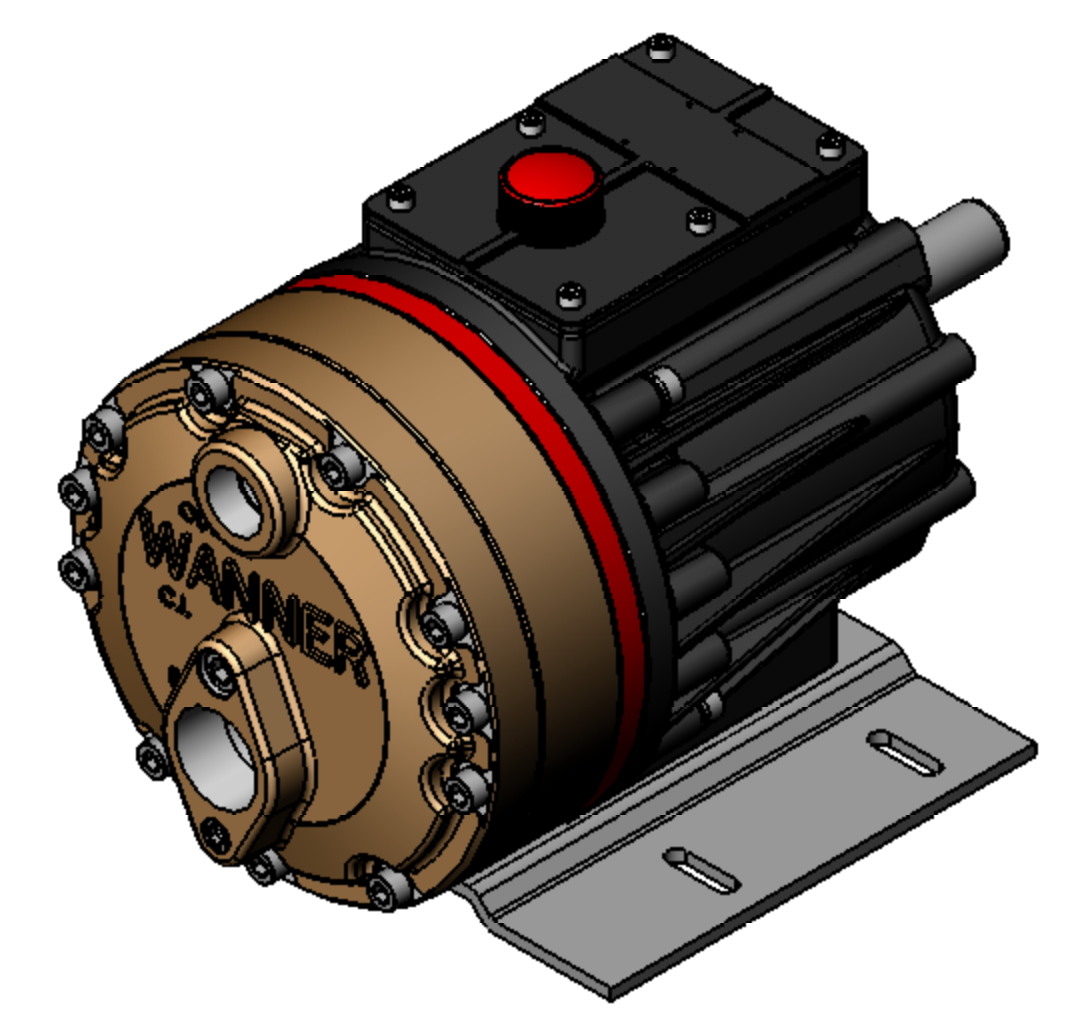
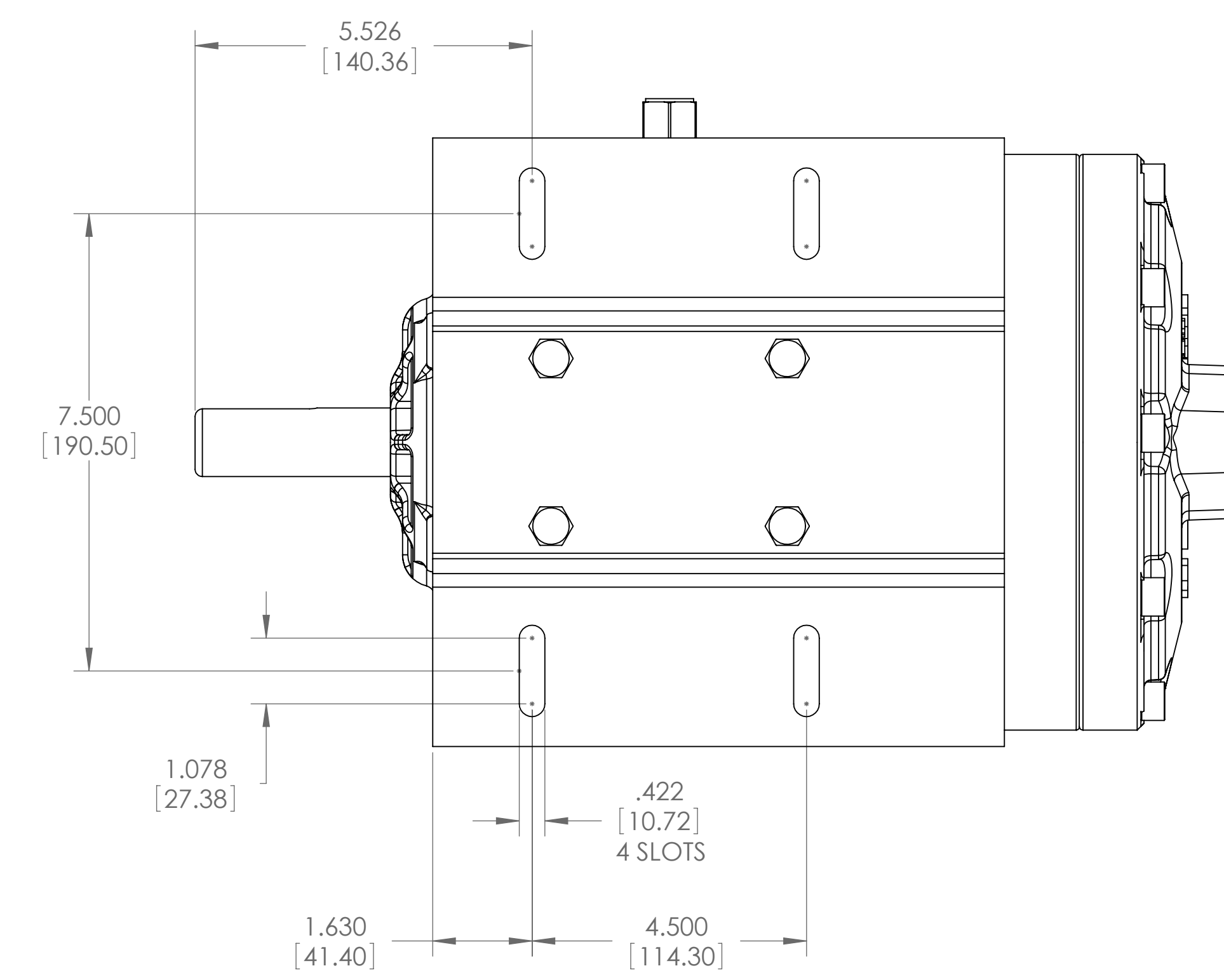


ISOMETRIC VIEW
SCALE: 1:3



ISOMETRIC VIEW
SCALE: 1:3

OUTLINE DRAWING
ALL DIMENSIONS ARE REFERENCE

PROPRIETARY STATEMENT
This document contains confidential and proprietary information and is not to be reproduced or the information contained therein disclosed to others without consent, in writing, from WANNER ENGINEERING INC.

DWN	07/28/08	MLS	WANNER ENGINEERING INC 1204 CHESTNUT AVE. MPLS, MN 55403	
CHK'D			TITLE	OUTLINE DWG, H25 METALLIC C-FACE
APP'D			DWG NO	H25-M-CF-OD
USED ON			SIZE	D
NEXT ASSY			REV.	A
	SHEET 1 OF 1			
SCALE: 1:2	FORM DBLK			