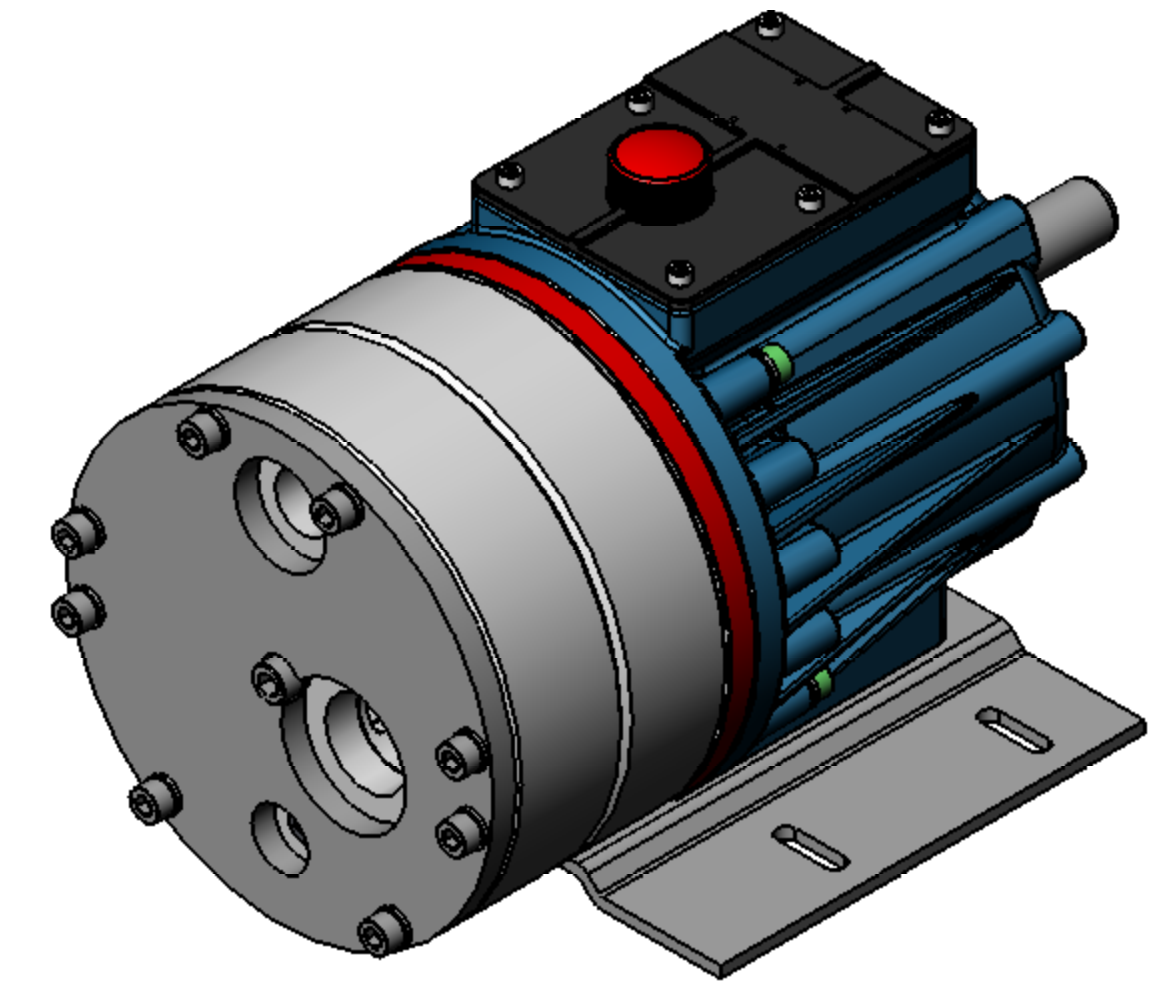
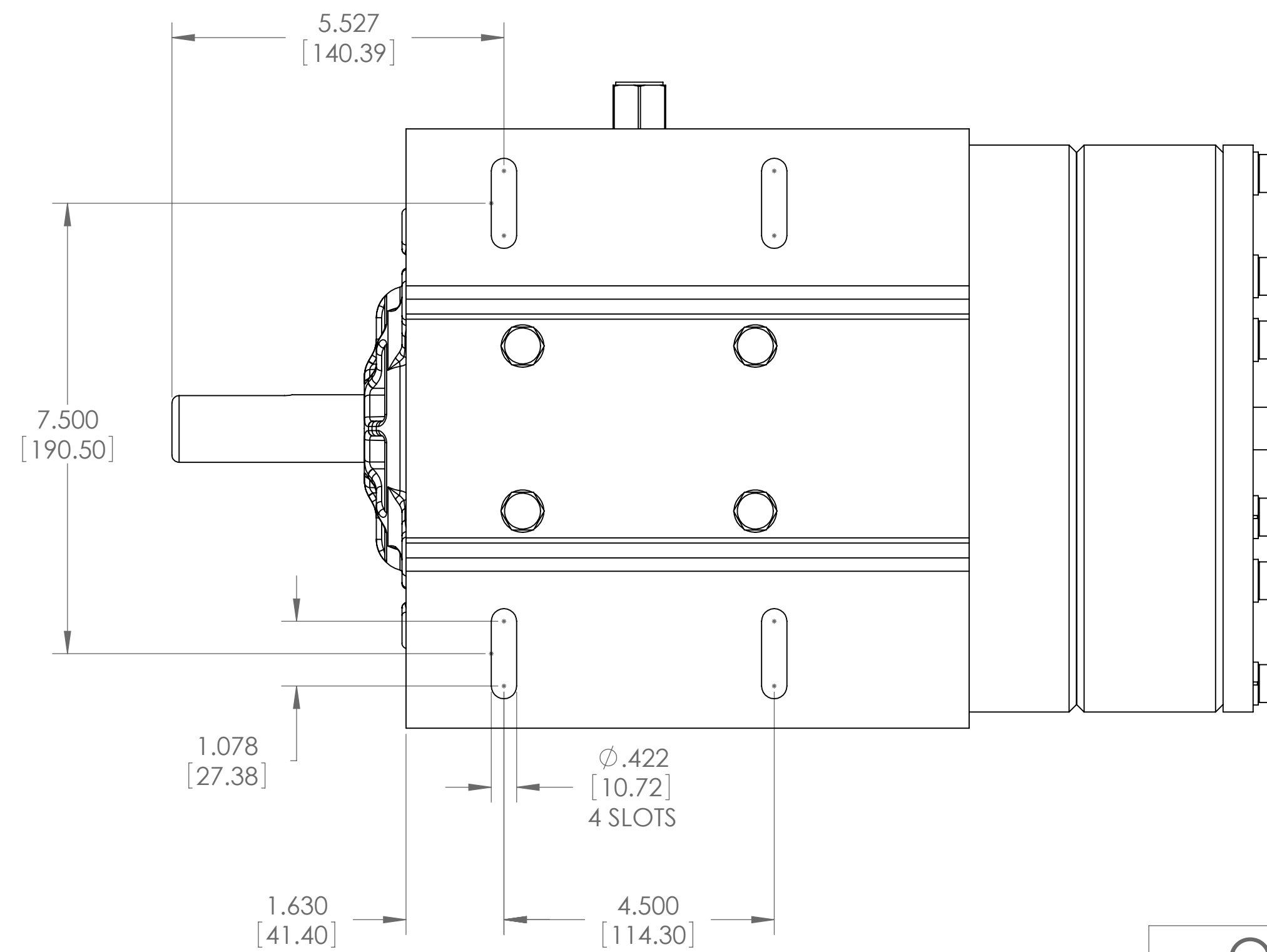


ISOMETRIC VIEW
SCALE: 1:3



ISOMETRIC VIEW
SCALE: 1:3

OUTLINE DRAWING
ALL DIMENSIONS ARE REFERENCE

PROPRIETARY STATEMENT
This document contains confidential and proprietary information and is not to be reproduced or the information contained therein disclosed to others without consent, in writing, from WANNER ENGINEERING INC.

DWN	07/28/08	MLS
CHK'D		
APP'D		
USED ON		
NEXT ASSY		
	SHEET 1 OF 1	
SCALE: 1:2	FORM DBLK	

WANNER ENGINEERING INC
1204 CHESTNUT AVE. MPLS, MN 55403

TITLE
OUTLINE DRAWING, G25 PLASTIC STANDARD FACE

DWG NO
G25-P-STD-OD

SIZE
D
REV.
A