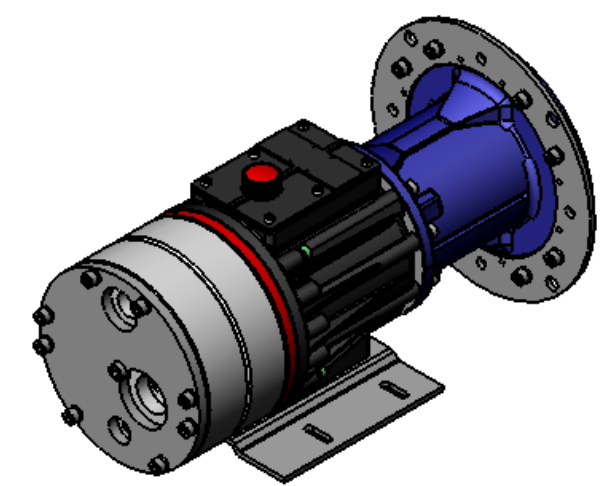
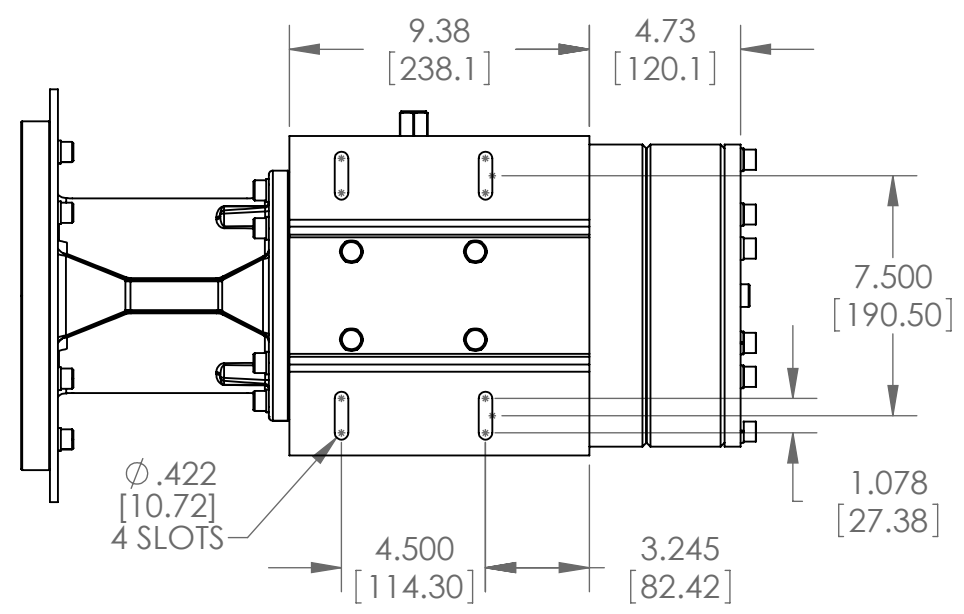
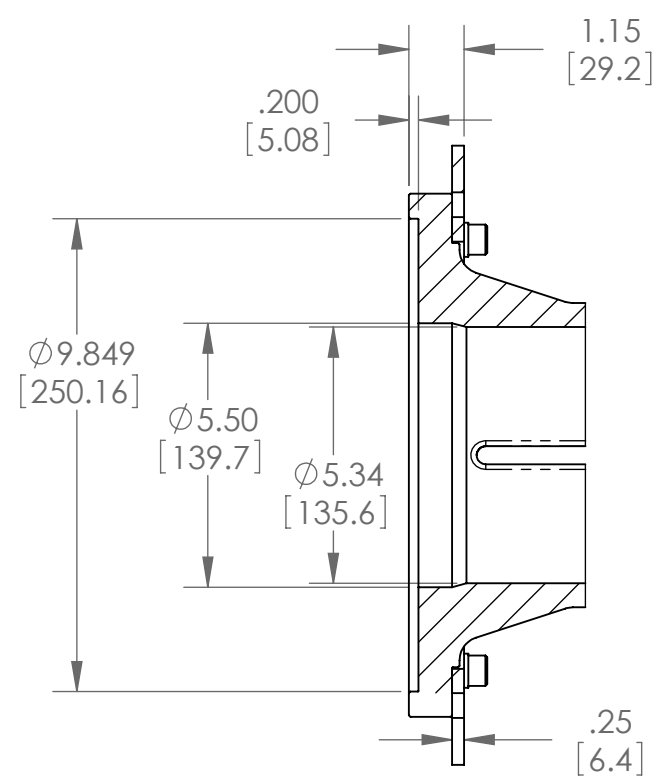
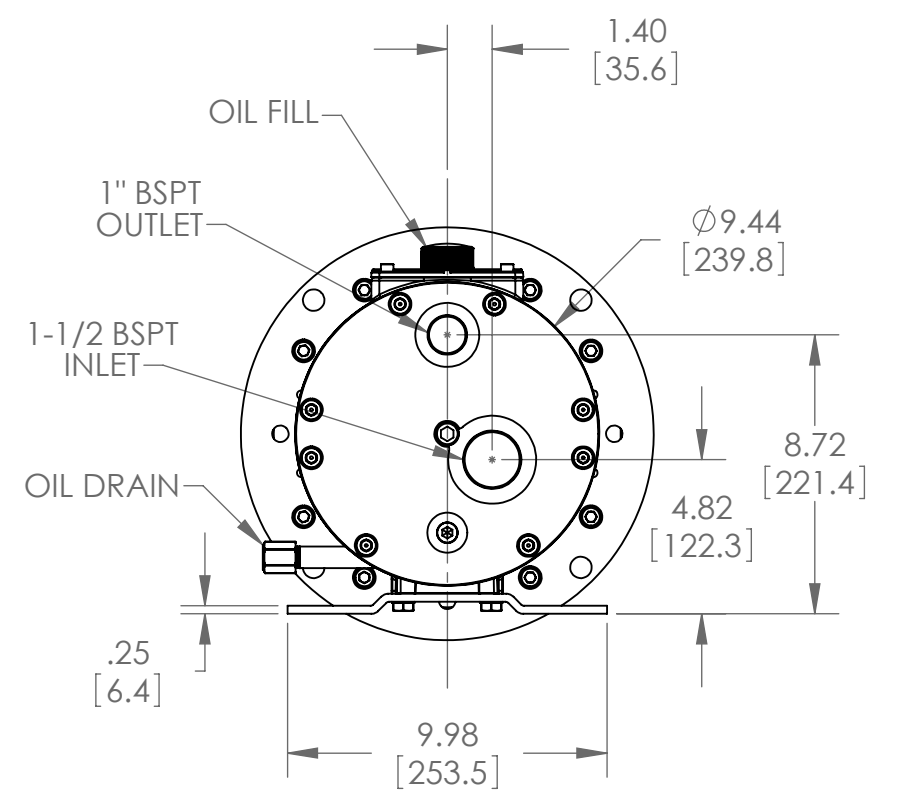
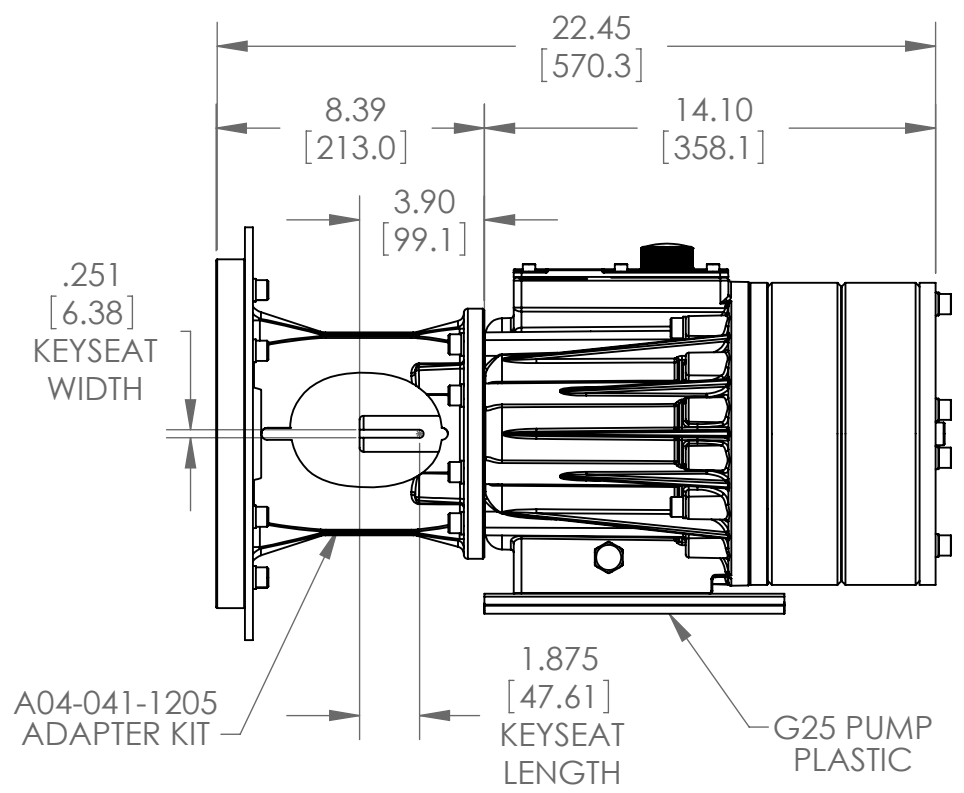
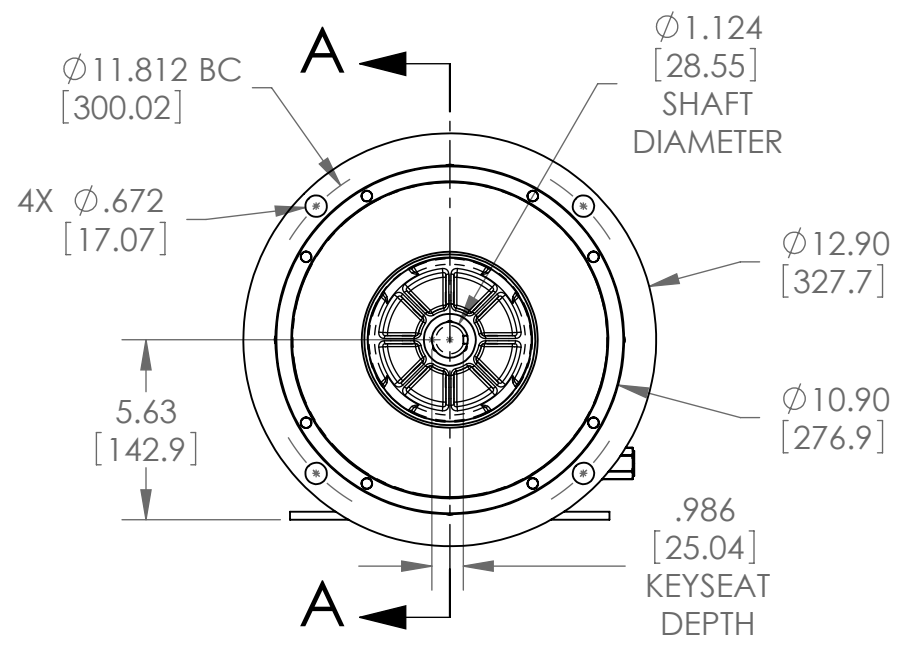


DWG NO  
G25-P-1205-OD

D  
C  
B  
A



<h2 style="text-align: center;">OUTLINE DRAWING</h2> <p style="text-align: center;">ALL DIMENSIONS ARE REFERENCE</p> <p style="text-align: center; color: red; font-size: small;">           PROPRIETARY STATEMENT            This document contains confidential and proprietary information and is not to be reproduced or the information contained therein disclosed to others without consent, in writing, from WANNER ENGINEERING INC.         </p>			DWN 08/06/08 MLS CHK'D APP'D USED ON NEXT ASSY SHEET 1 OF 1 SCALE: 1:6 FORM BBLK		<b>WANNER ENGINEERING INC</b> <small>1204 CHESTNUT AVE. MPLS, MN 55403</small>		TITLE <b>OUTLINE DWG, G25 PLASTIC A04-041-1205</b> DWG NO <h1 style="text-align: center;">G25-P-1205-OD</h1>	SIZE <b>B</b> REV. <b>A</b>

8 7 6 5 4 3 2 1