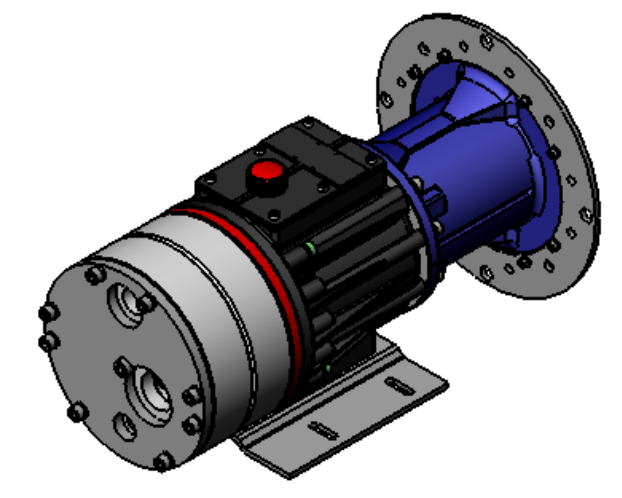
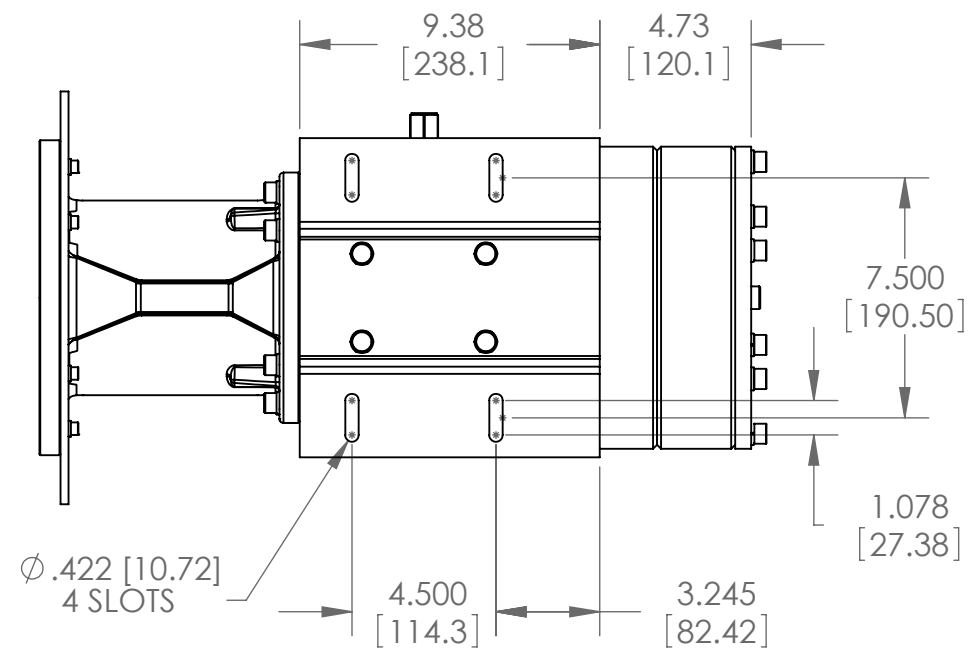
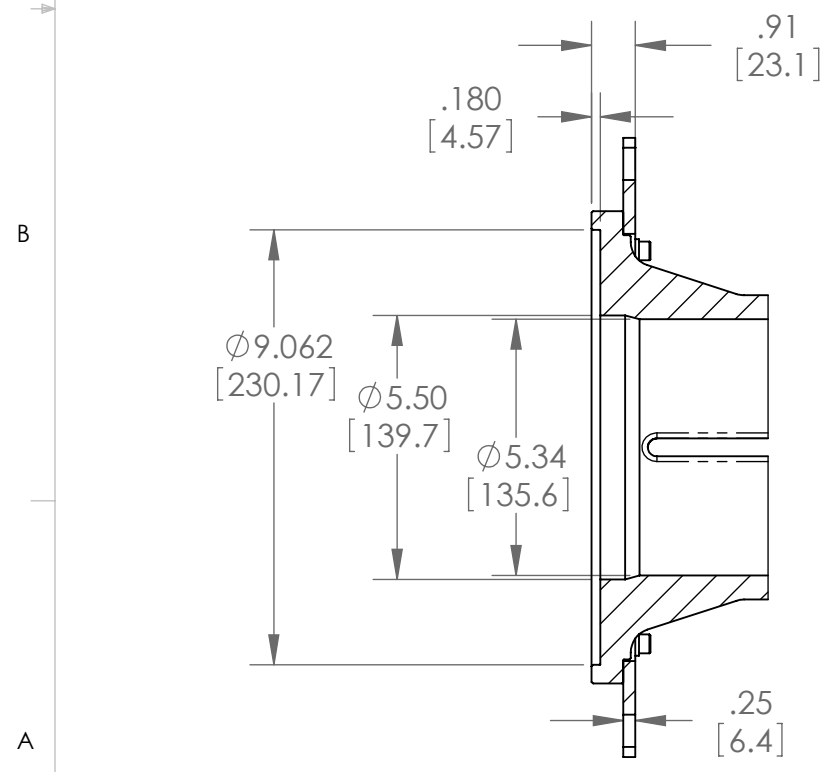
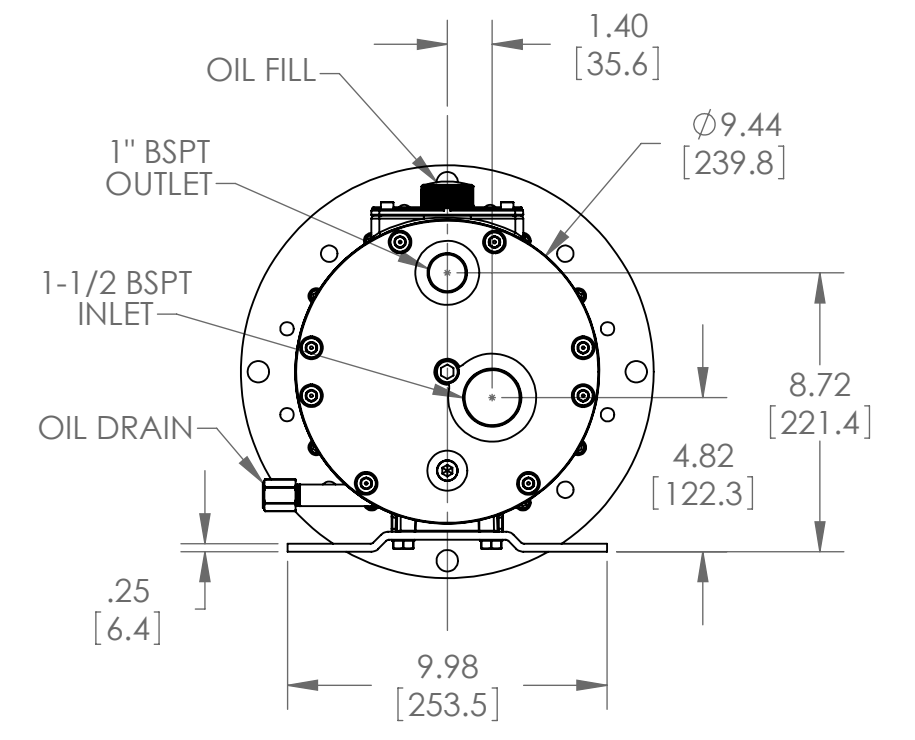
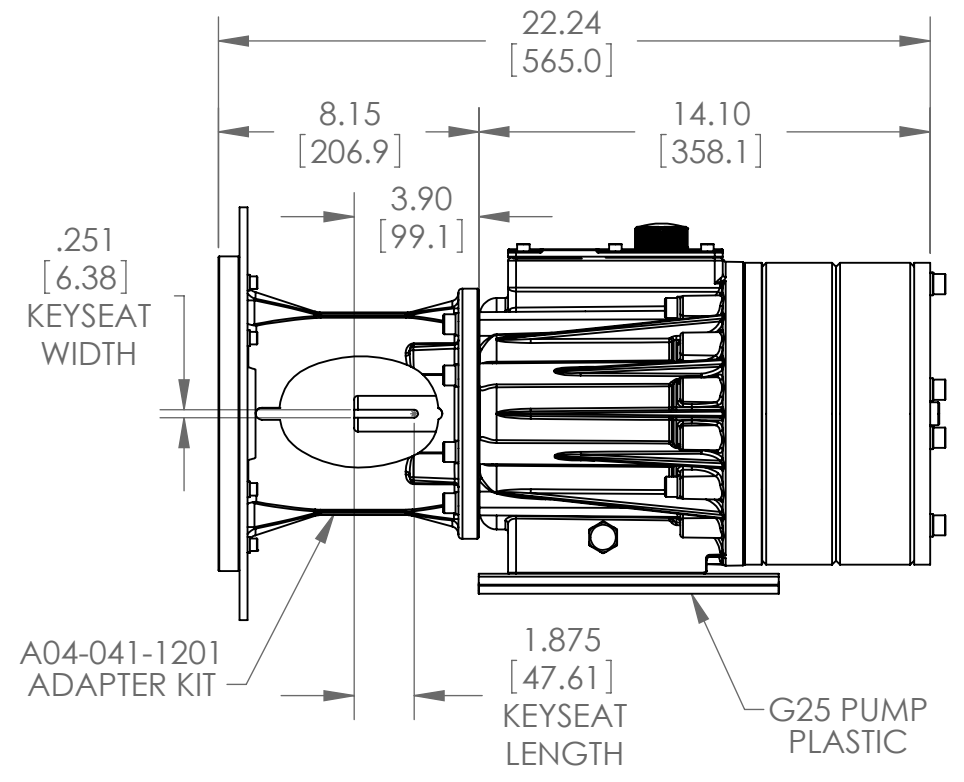
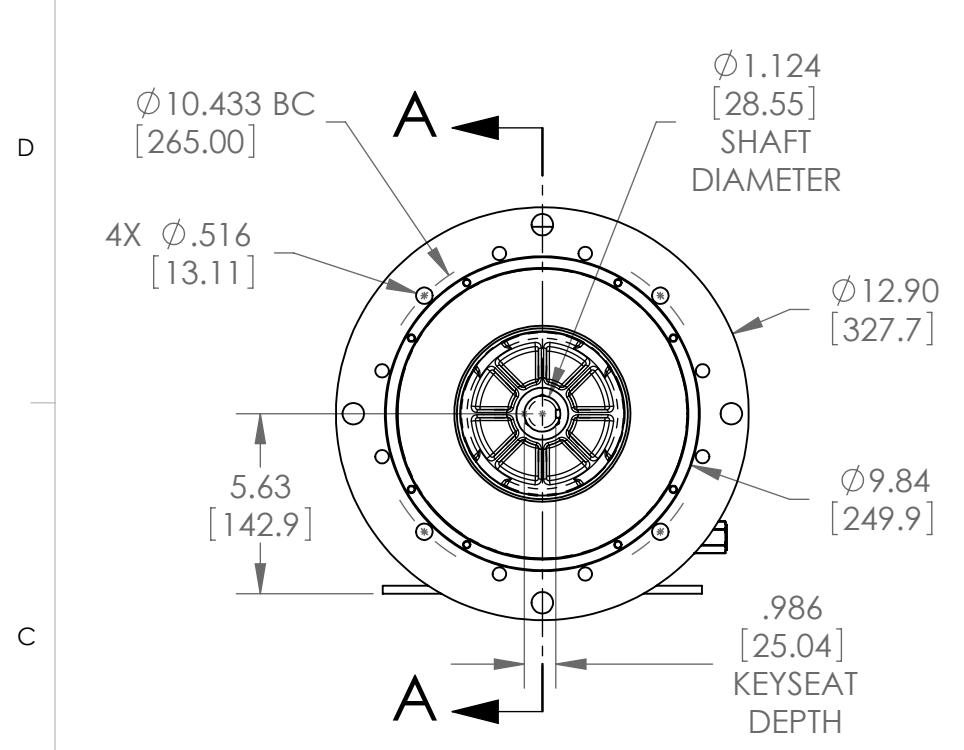


DWG NO
G25-P-1201-OD



<h2 style="text-align: center;">OUTLINE DRAWING</h2> <p style="text-align: center;">ALL DIMENSIONS ARE REFERENCE</p> <p style="text-align: center; color: red; font-size: small;">PROPRIETARY STATEMENT This document contains confidential and proprietary information and is not to be reproduced or the information contained therein disclosed to others without consent, in writing, from WANNER ENGINEERING INC.</p>			DWN	08/06/08	MLS	WANNER ENGINEERING INC <small>1204 CHESTNUT AVE. MPLS, MN 55403</small>		SIZE	B
			CHK'D					TITLE	
APP'D			USED ON		DWG NO	G25-P-1201-OD	REV.	A	
NEXT ASSY			SHEET 1 OF 1		SCALE: 1:6		FORM BBLK		