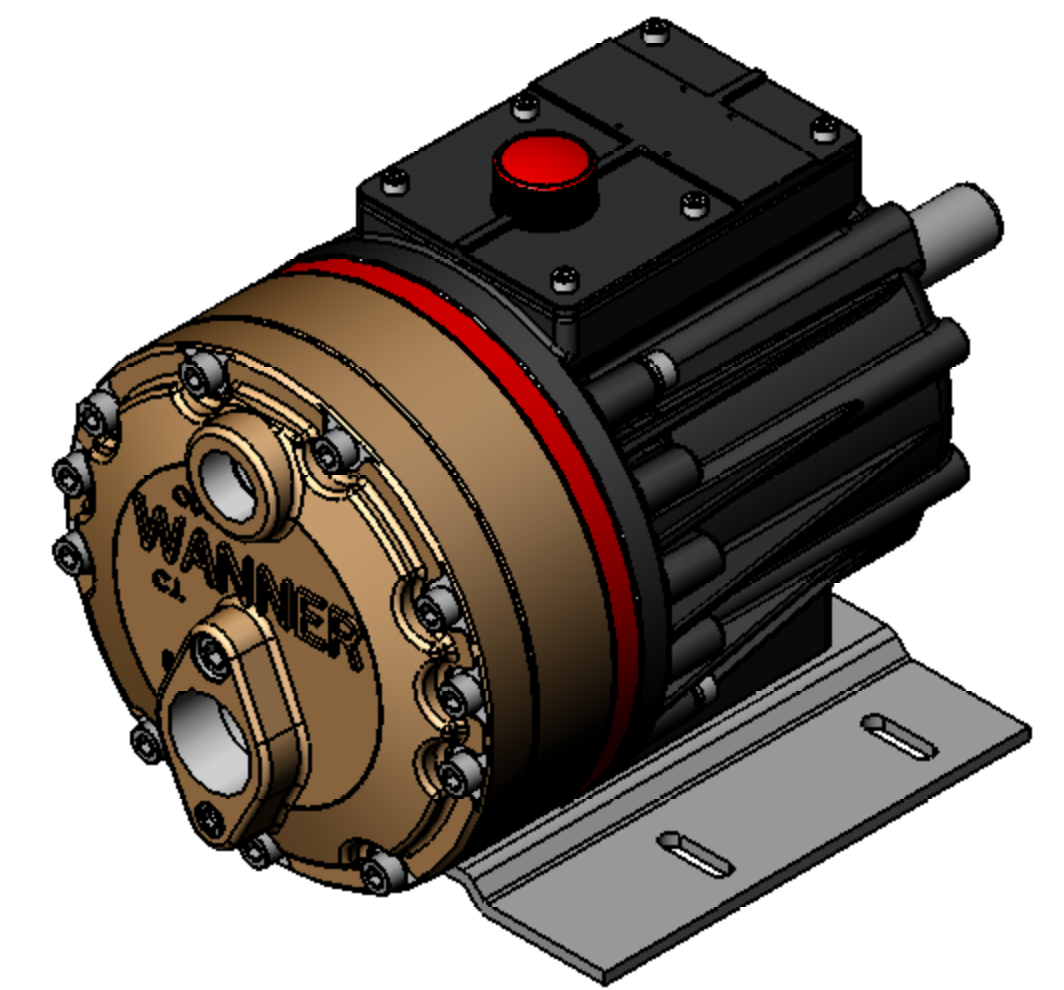
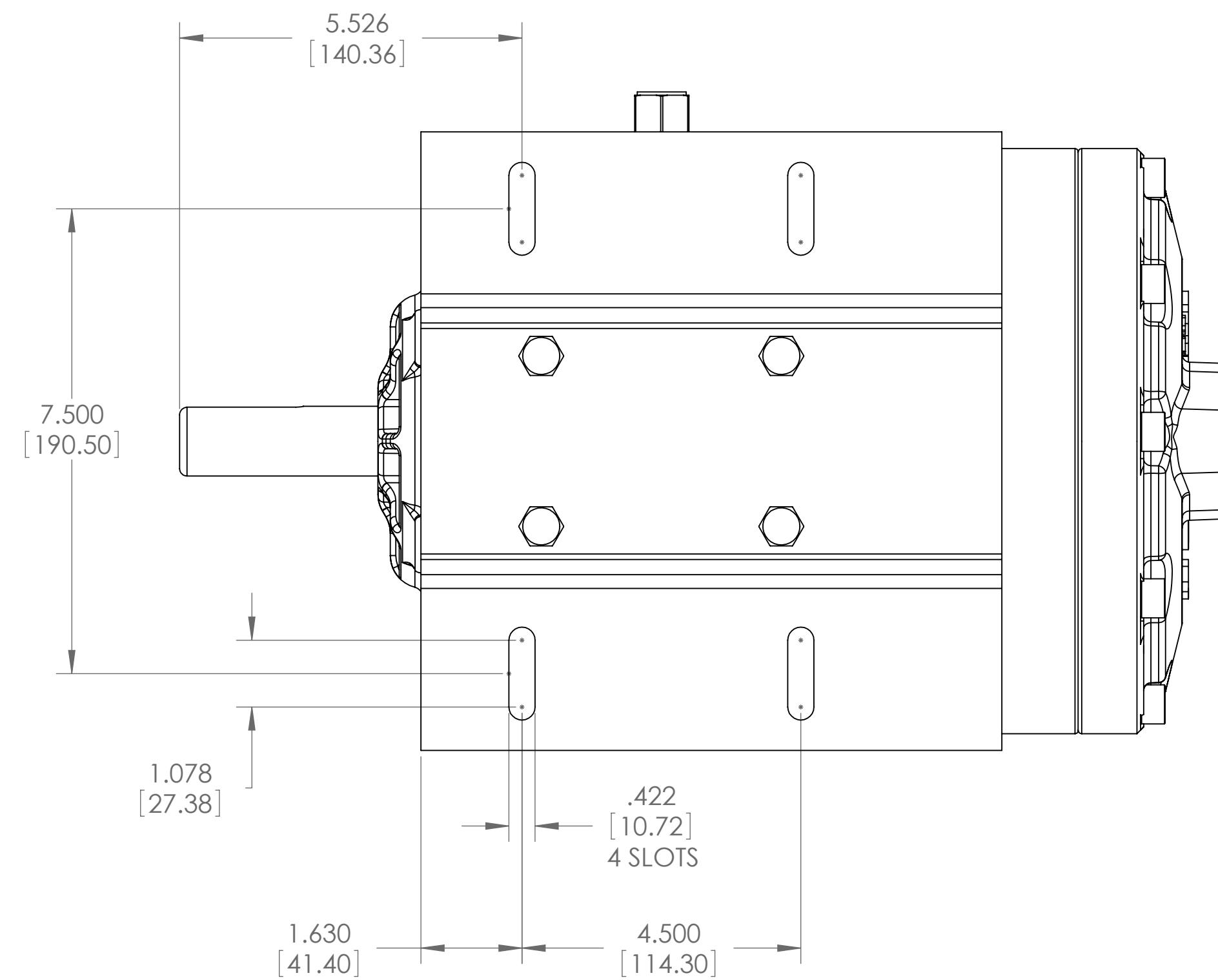


ISOMETRIC VIEW
SCALE: 1:3



ISOMETRIC VIEW
SCALE: 1:3

OUTLINE DRAWING
ALL DIMENSIONS ARE REFERENCE

PROPRIETARY STATEMENT
This document contains confidential and proprietary
information and is not to be reproduced or the
information contained therein disclosed to others
without consent, in writing, from WANNER ENGINEERING INC.

DWN	07/28/08	MLS
CHK'D		
APP'D		
USED ON		
NEXT ASSY		
SHEET 1 OF 1		
SCALE: 1:2	FORM DBLK	

WANNER ENGINEERING INC
1204 CHESTNUT AVE. MPLS, MN 55403

TITLE
OUTLINE DWG, G25 METALLIC C-FACE

DWG NO
G25-M-CF-OD

SIZE
D
REV.
A