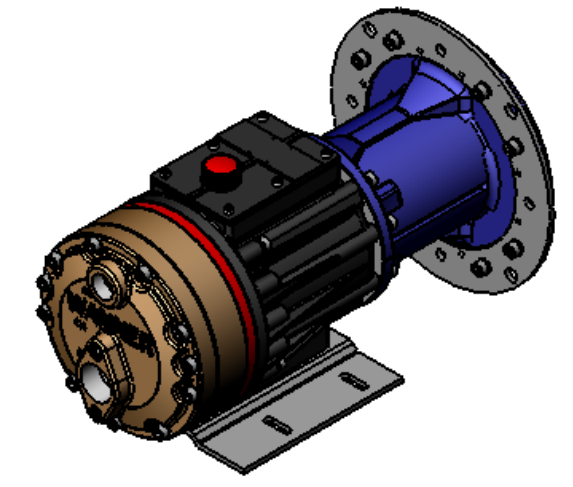
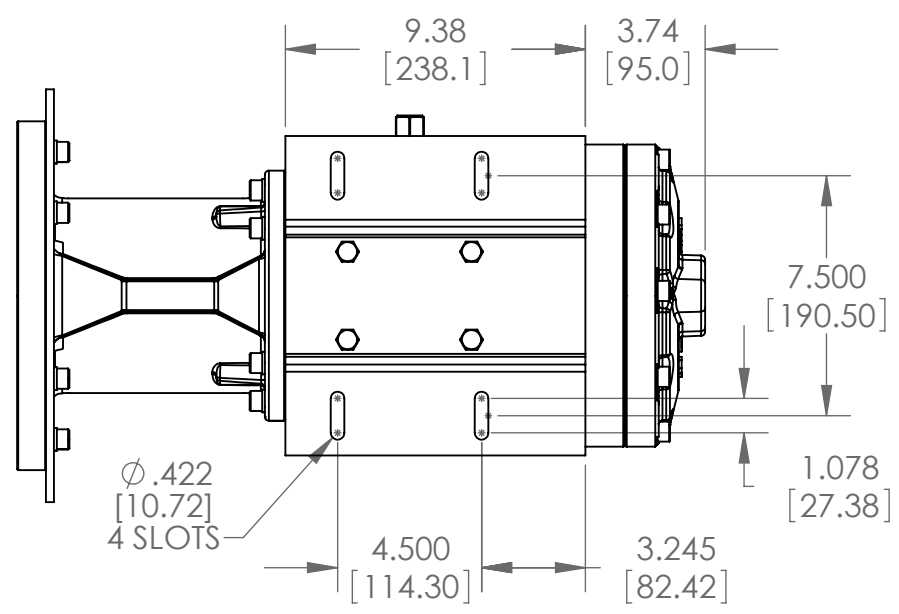
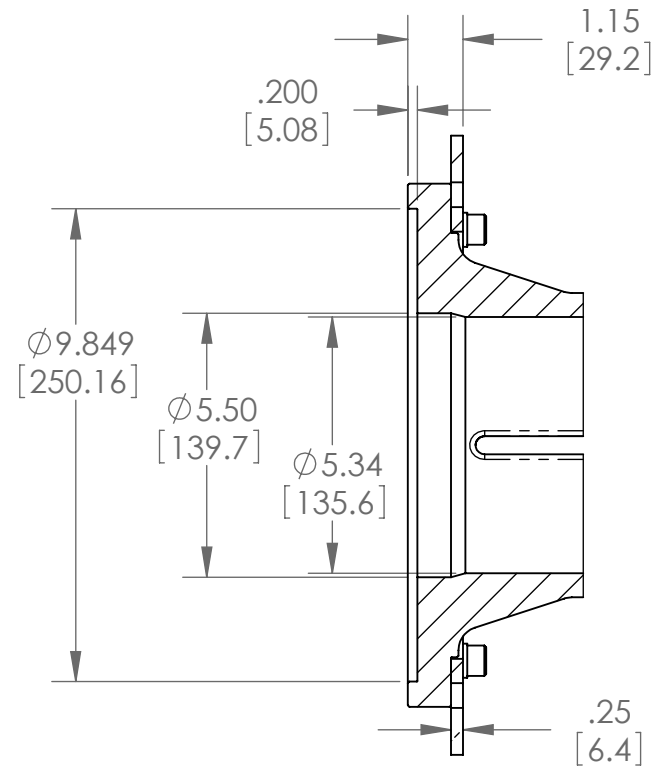
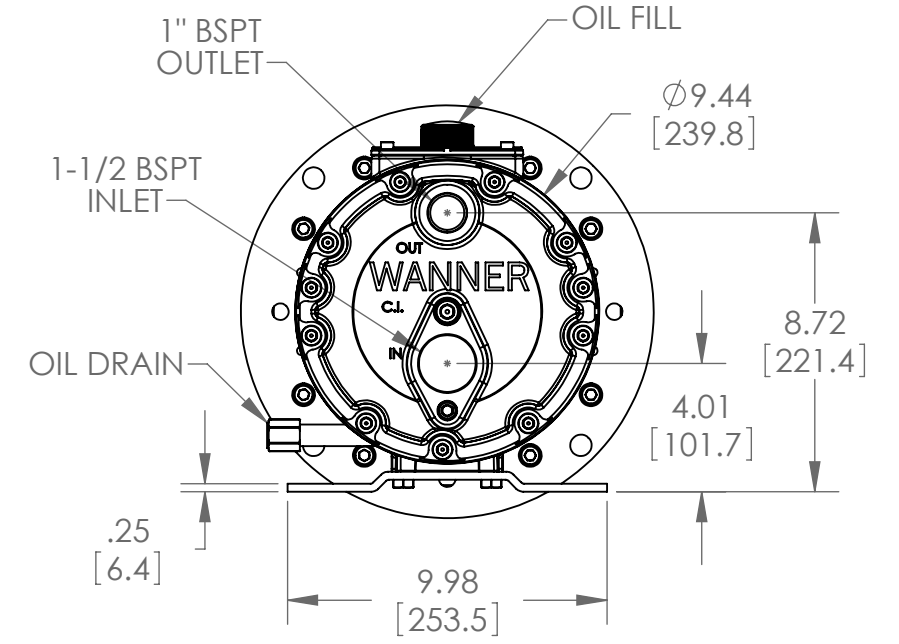
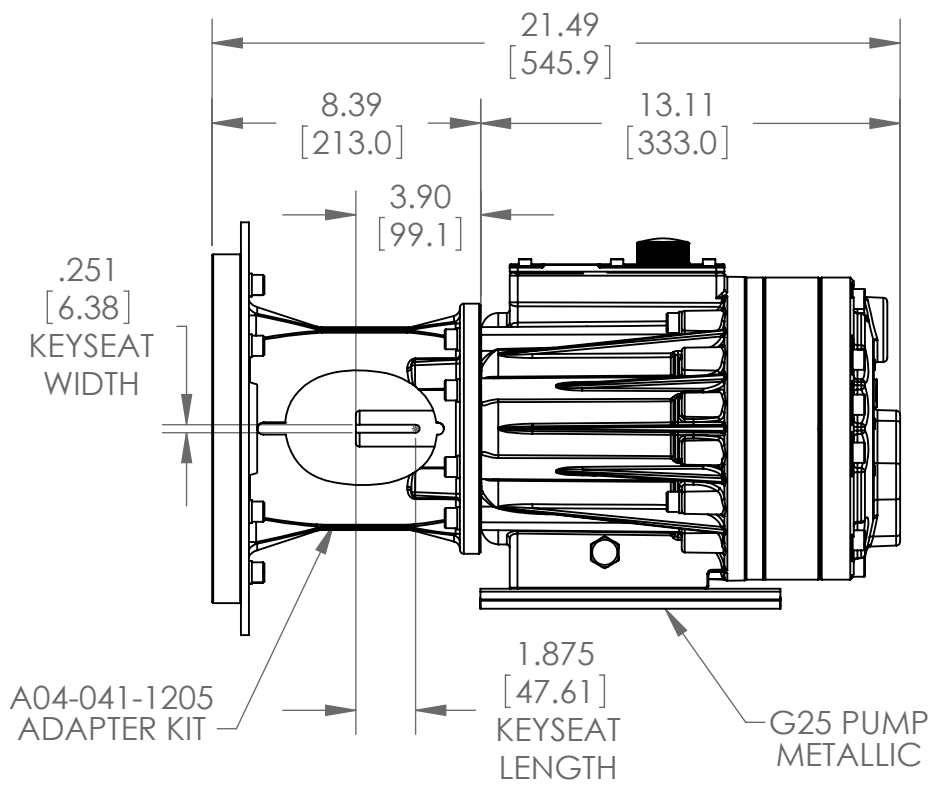
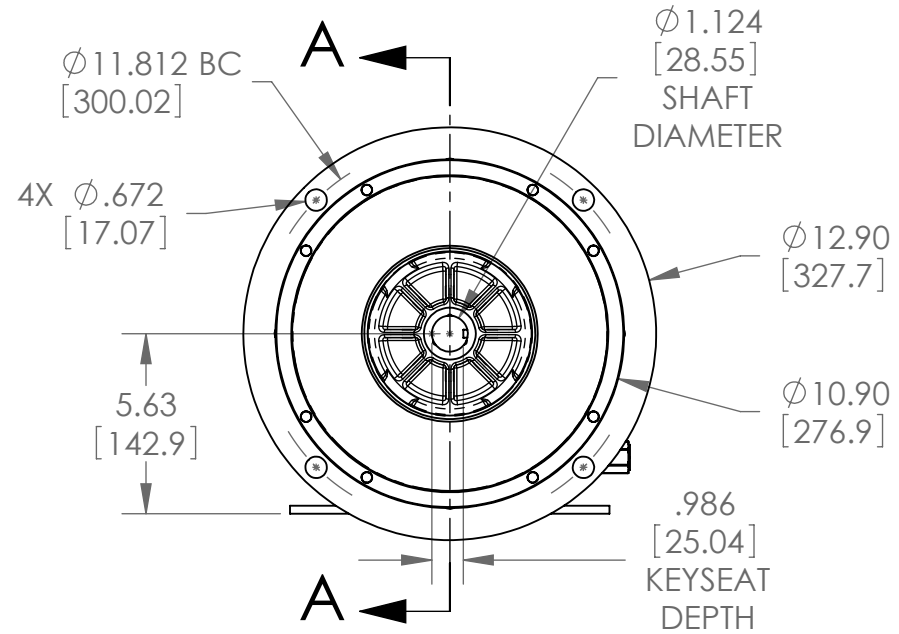


DWG NO
G25-M-1205-OD



OUTLINE DRAWING
ALL DIMENSIONS ARE REFERENCE

PROPRIETARY STATEMENT
This document contains confidential and proprietary information and is not to be reproduced or the information contained therein disclosed to others without consent, in writing, from WANNER ENGINEERING INC.

DWN	08/06/08	MLS	WANNER ENGINEERING INC 1204 CHESTNUT AVE. MPLS, MN 55403	
CHK'D			TITLE	SIZE
APP'D			OUTLINE DWG, G25 METALLIC A04-041-1205	B
USED ON			DWG NO	REV.
NEXT ASSY			G25-M-1205-OD	A
SHEET 1 OF 1				
SCALE: 1:6	FORM BBLK			