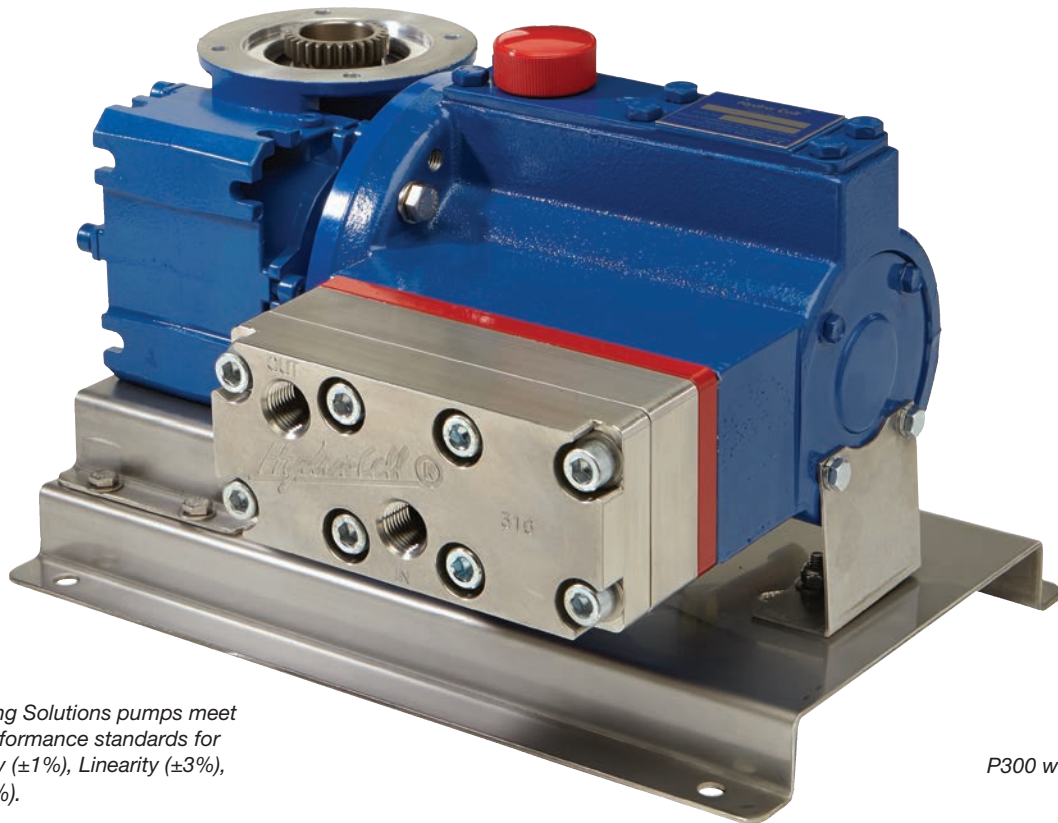


P300 PRO SERIES METERING PUMPS

Maximum Flow Rate: 81.4 gph (256.8 lph)
Maximum Pressure: 2500 psi (172 bar) for Metallic Pump Heads

 **WANNER™** HYDRA-CELL® PRO
METERING PUMP SOLUTIONS



Hydra-Cell Pro Metering Solutions pumps meet or exceed API 675 performance standards for Steady-State Accuracy ($\pm 1\%$), Linearity ($\pm 3\%$), and Repeatability ($\pm 3\%$).

UK
CA CE

*P300 with Stainless Steel
pump head*

Metering Pump with “Pulse-Free” Linear Flow

- Handles a wide range of fluids from clear water to thick slurries
- Electronic flow control increases accuracy and reliability
- Smaller footprint saves valuable space
- One pump covers a wide range of flows and pressures – reducing inventory requirements with fast, simple field conversion
- Duplexing option doubles capacity and equipment savings
- Hydraulically-actuated, balanced diaphragms provide superior performance across entire pressure range
- Rugged construction with a variety of affordable choices for liquid end, diaphragm and check valve materials
- Seal-less design means no seals, cups, or packing to leak or replace
- A replenishment valve in every piston assembly ensures optimum actuating oil on every stroke for continuous accuracy

P300 Pro Series Metering | Performance

Performance

Flows are based upon lab testing of multiple pumps. However, flows listed are approximate values and pumps must be calibrated once installed into any system. Flow variations will occur, but calibration will ensure proper pump performance.

Maximum Flow (gph) at Designated Pressure (psi)

100 psi	Metallic Pump Heads Only (gph)			Pump rpm	Gear Ratio	Motor rpm
	500 psi	1500 psi	2500 psi			
3.221	3.183	3.014	2.741	30	60:1	1800
3.895	3.849	3.655	3.350	36	50:1	
4.939	4.882	4.607	4.272	45	40:1	
6.639	6.548	6.194	5.786	60	30:1	
7.999	7.881	7.463	6.998	72	25:1	
10.04	9.880	9.368	8.815	90	20:1	
13.44	13.21	12.54	11.84	120	15:1	
20.24	19.88	18.89	17.90	180	10:1	
27.03	26.54	25.24	23.96	240	7.5:1	
40.63	39.87	37.93	36.08	360	5:1	
54.23	53.20	50.63	48.19	480	7.5:1	3600
81.42	79.85	76.02		720	5:1	

Required Motor hp

1/4	1/2	3/4	1	1-1/2	2
-----	-----	-----	---	-------	---

Maximum Flow (lph) at Designated Pressure (bar)

7 bar	Metallic Pump Heads Only (lph)			Pump rpm	Gear Ratio	Motor rpm
	34 bar	103 bar	172 bar			
10.16	10.04	9.51	8.648	25	60:1	1500
12.29	12.14	11.53	10.57	30	50:1	
15.58	15.40	14.53	13.47	37.5	40:1	
20.94	20.66	19.54	18.25	50	30:1	
25.23	24.86	23.54	22.07	60	25:1	
31.66	31.17	29.55	27.81	75	20:1	
42.39	41.68	39.56	37.36	100	15:1	
63.83	62.70	59.59	56.47	150	10:1	
85.28	83.72	79.61	75.58	200	7.5:1	
128.2	125.8	119.7	113.8	300	5:1	
171.1	167.8	159.7	152.0	400	7.5:1	3000
256.8	251.9	239.8	228.5	600	5:1	

Required Motor kW

0.18	0.25	0.37	0.55	0.75	1.1	1.5
------	------	------	------	------	-----	-----

Due to the Wanner Engineering Continuous Improvement Program, specifications and other data are subject to change.

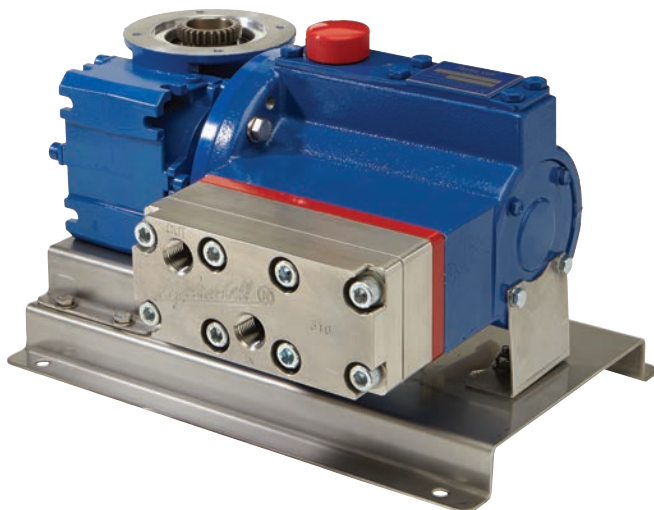
Pump Data

Diaphragms per Liquid End	3
Flow Control	Electronic variable speed drive
Maximum Discharge Pressure	
Metallic Heads:	2500 psi (172 bar)
Maximum Inlet Pressure	250 psi (17 bar)
Maximum Operating Temperatures	
Metallic Heads:	250°F (121°C)
	<i>Consult factory for correct metallic head component selection for temperatures from 160°F (71°C) to 250°F (121°C).</i>
Maximum Solids Size	500 microns
Inlet Port	1/2 inch NPT or BSPT
Discharge Port	1/2 inch NPT or BSPT
Shaft Rotation	Bi-directional
Oil Capacity	1.1 US quarts (1.05 liters)
Weight (less motor)	
Metallic Heads:	54.5 lbs. (24.7 kg)
Dimensions (less motor)	
Metallic Heads:	15.79" W x 12.25" D x 9.46" H (401.2 mm W x 311.0 mm D x 240.2 mm H)
	<i>For NEMA 56 motor frames only; see page 6 for other motor frame sizes.</i>

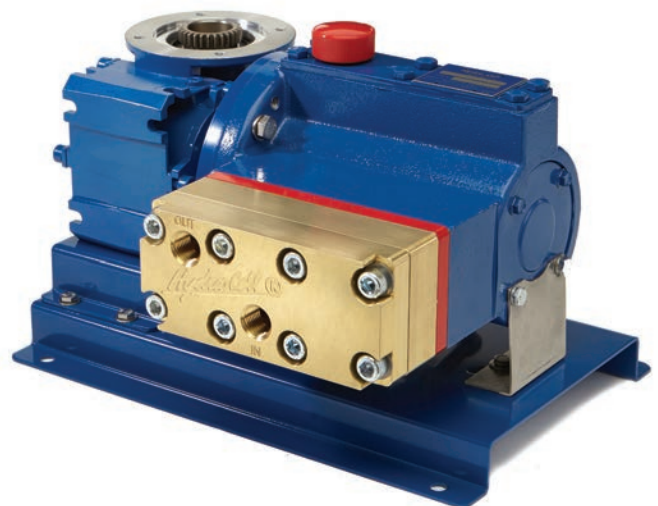
Accessories, Options and Services

Consult Wanner Engineering for complete details about available accessories and options as well as special services.

- Manifolds and Flanges
- Multiplexing Capability
- Different Gearbox Ratios
- Oil Cooler Systems
- Actuating Oils
- Magnetic Drain Plug
- Motors (Standard/Hazardous-duty)
- Controllers
- Control Freak™ Touch-screen Metering Controller
- SmartDrive Motor-Controller
- Calibration Cylinders
- Back Pressure Valves
- Pressure Relief Valves
- Pulsation Dampeners
- Demonstration (Cutaway) Units
- Testing Services
- System Components, Priming Kits and Plugs
- Replacement Part Kits and Tool Kits
- Customization Services



P300 with Hastelloy C pump head

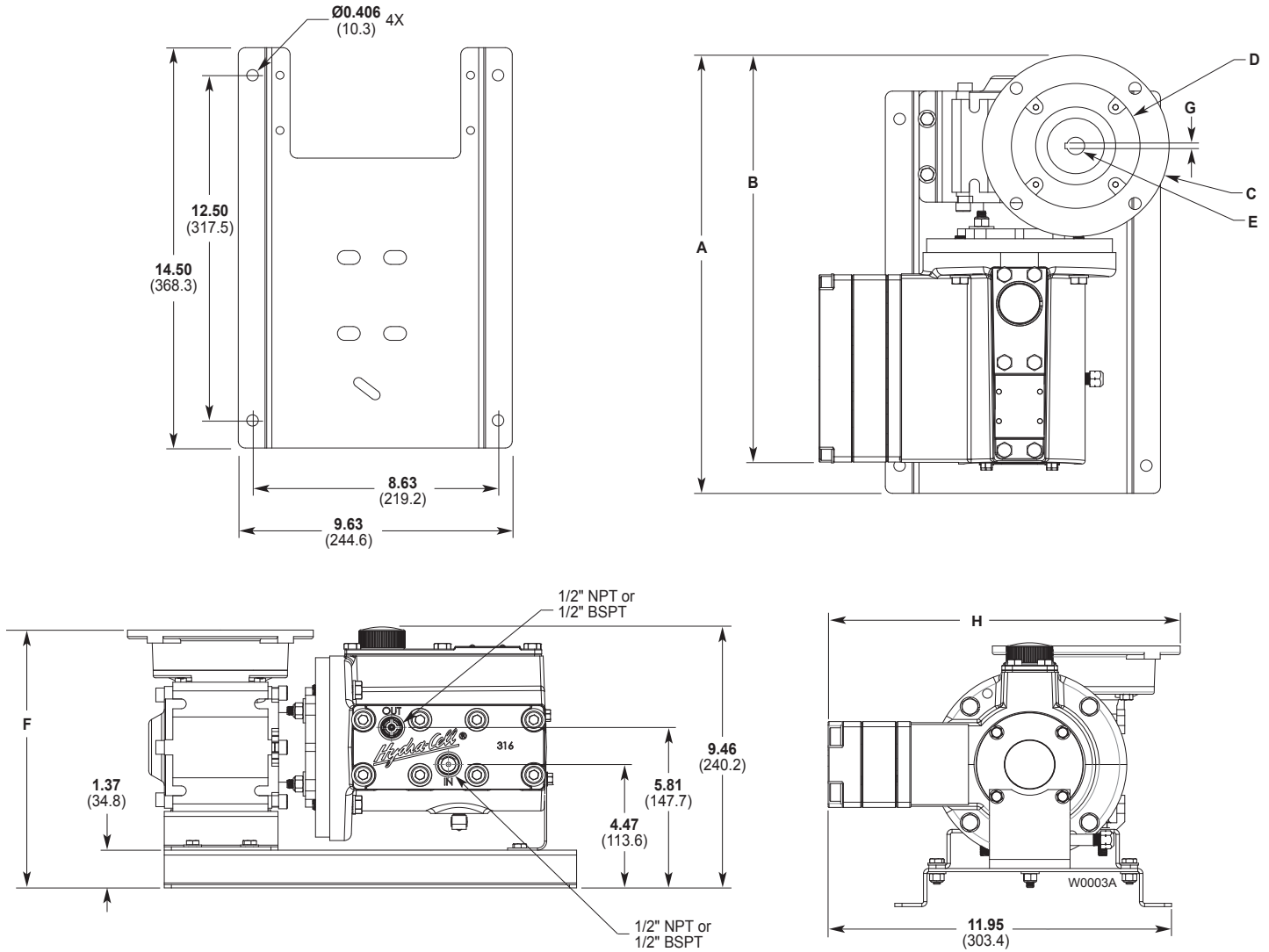


P300 with Brass pump head

Due to the Wanner Engineering Continuous Improvement Program, specifications and other data are subject to change.

P300 Pro Series Metering | Representative Drawings

Metallic Pump Heads Inches (mm)



Note: Dimensions are for reference only. Contact factory for certified drawings.

Dimensions: Inches (mm)

Input Frame Size	A	B	C	D	E	F	G (Square Key)	H
NEMA 56C	15.79 (401.2)	14.70 (373.3)	ø 6.54 (ø 166)	ø 4.50 (ø 114.3)	ø 0.62 (ø 15.7)	9.35 (237.4)	0.187 (4.75)	12.25 (311)
NEMA 143/145TC	15.79 (401.2)	14.70 (373.3)	ø 6.54 (ø 166)	ø 4.50 (ø 114.3)	ø 0.87 (ø 22.2)	9.82 (249.4)	0.187 (4.75)	12.25 (311)
IEC 63 B5	15.28 (388.1)	14.19 (360.4)	ø 5.51 (ø 140)	ø 3.74 (ø 95)	ø 0.43 (ø 11)	9.17 (232.9)	0.157 (4)	11.73 (298.1)
IEC 71 B5	15.67 (398)	14.58 (370.3)	ø 6.30 (ø 160)	ø 4.33 (ø 110)	ø 0.55 (ø 14)	9.17 (232.9)	0.196 (5)	12.13 (308.1)
IEC 80 B5	16.46 (418.1)	15.37 (390.4)	ø 7.87 (ø 200)	ø 5.12 (ø 130)	ø 0.75 (ø 19)	9.17 (232.9)	0.236 (6)	12.91 (327.9)
IEC 90 B5	16.46 (418.1)	15.37 (390.4)	ø 7.87 (ø 200)	ø 5.12 (ø 130)	ø 0.94 (ø 24)	9.69 (246.9)	0.315 (8)	12.91 (327.9)

P300 Pro Series Metering | How to Order

Ordering Information

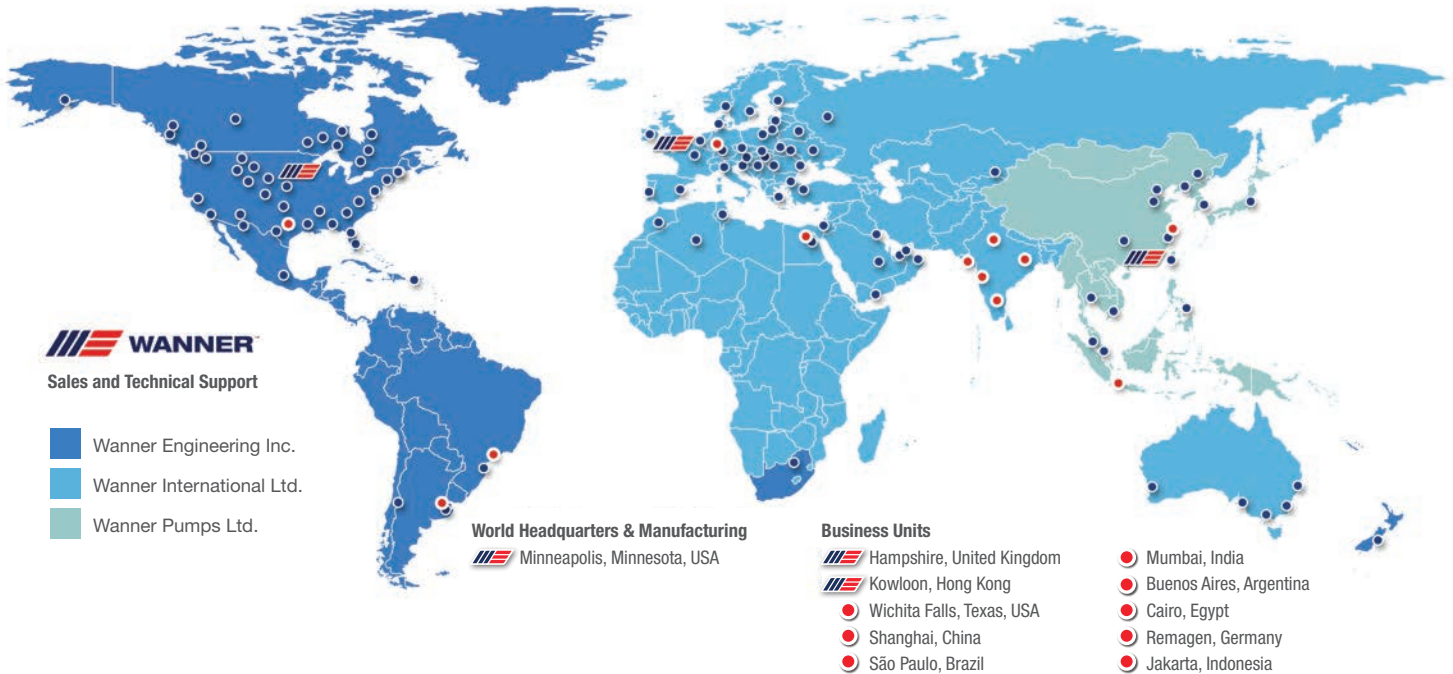
A complete pump order number contains 13 digits based on the specified pump materials listed below.

1	2	3	4	5	6	7	8	9	10	11	12	13
P	3	0	0									

Digit	Order Code	Description
1-4	P300	Pump Configuration For all P300 Pumps (Non Kel-Cell)
5	N M X	Pump Version NPT Ports (NEMA motors only) BSPT Ports (IEC motors only) ATEX BSPT Ports (IEC motors only)
6	B R S T	Pump Head / Retainer Material Brass / Hastelloy C 304 Stainless Steel / Hastelloy C 316L Stainless Steel / Hastelloy C Hastelloy C / Hastelloy C
7	A M E X J T	Diaphragm & O-ring Material / Oil[▲] Aflas / PTFE O-ring (Synthetic oil) Aflas / PTFE O-rings & FKM drive case elastomers (Mesamoll oil) EPDM (EPDM-compatible oil) FKM (Synthetic oil) PTFE (Food-contact oil) Buna-N (Synthetic oil)
8-9	SS TT SD TD	Check Valve Material (Valve Spring / Valve Seat / Valve) Elgiloy / Nitronic 50 / Nitronic 50 Hastelloy C / Hastelloy C / Hastelloy C Elgiloy / Tungsten Carbide / Tungsten Carbide Hastelloy C / Tungsten Carbide / Tungsten Carbide
10-12	060 050 040 030 025 020 015 010 007 005 A05	Gearbox Ratio / NEMA Motors 60:1 (56C Motor Frame) 50:1 (56C Motor Frame) 40:1 (56C Motor Frame) 30:1 (56C Motor Frame) 25:1 (56C Motor Frame) 20:1 (56C Motor Frame) 15:1 (56C Motor Frame) 10:1 (56C Motor Frame) 7.5:1 (56C Motor Frame) 5:1 (56C Motor Frame) 5:1 (143/145TC Motor Frame)

Digit	Order Code	Description
10-12	060 050 040 C40 A30 C30 A25 A20 C20 A15 C15 A10 B10 C10 A07 B07 C07 A05 B05 C05	Gearbox Ratio / IEC Motors 60:1 (63 B5 Motor Frame) 50:1 (63 B5 Motor Frame) 40:1 (63 B5 Motor Frame) 40:1 (90 B5 Motor Frame) 30:1 (71 B5 Motor Frame) 30:1 (90 B5 Motor Frame) 25:1 (71 B5 Motor Frame) 20:1 (71 B5 Motor Frame) 20:1 (90 B5 Motor Frame) 15:1 (71 B5 Motor Frame) 15:1 (90 B5 Motor Frame) 10:1 (71 B5 Motor Frame) 10:1 (80 B5 Motor Frame) 10:1 (90 B5 Motor Frame) 7.5:1 (71 B5 Motor Frame) 7.5:1 (80 B5 Motor Frame) 7.5:1 (90 B5 Motor Frame) 5:1 (71 B5 Motor Frame) 5:1 (80 B5 Motor Frame) 5:1 (90 B5 Motor Frame)
13	C S	Base Plate Carbon Steel (Epoxy painted) 304 Stainless Steel

Partners in over 70 countries



Wanner worldwide

GLOBAL SALES & TECHNICAL SUPPORT

WANNER ENGINEERING, INC.™

WORLD HEADQUARTERS & MANUFACTURING

Minneapolis, Minnesota USA
t: 612-332-5681
e: sales@wannereng.com
Hydra-Cell.com

REGIONAL OFFICE

Wichita Falls, Texas USA
t: 940-322-7111
e: sales@wannereng.com

LATIN AMERICAN OFFICE

São Paulo, Brazil
t: +55 (11) 99582-1969
e: mmagoni@wannereng.com
Hydra-Cell-Pumps.com.br

WANNER INTERNATIONAL, LTD.™

UNITED KINGDOM

8 & 9 Fleet Business Park
Sandy Lane • Church Crookham
Hampshire UK GU52 8BF

t: +44 (0) 1252 816847
e: support@wannerint.com
Hydra-Cell.co.uk

WANNER PUMPS, LTD.™

Kowloon, HONG KONG

t: +852 3428 6534
e: sales@wannerpumps.com
WannerPumps.com

Shanghai, CHINA

t: +86-21-6876 3700
e: sales@wannerpumps.com
WannerPumps.com

