

Hydra-Cell[®]
Seal-less Pumps

Hydra-Cell Hydraulic Oil Coolers

New air- and water-cooled oil coolers from Wanner Engineering reduce wear and tear on the Hydra-Oil to help prolong Hydra-Cell pump life.



Air-cooled Oil Filter



Water-cooled Oil Filter

Hydra-Cell Hydraulic Oil Coolers

Air-cooled Oil Filter

Cools Hydra-Oil from 250°F to 185°F using up to 110°F ambient air.

Gear Pump Options

- 1 gpm for Hydra-Cell Model D03, D04, D10, D15 & H25 pumps
- 2 gpm Hydra-Cell Model D35, D40, D66, T100 & Q155 pumps

Motor Options (Pump & Fan)

- TEFC 230/460V, 3PH, 60 Hz & 190/380V, 3 PH, 50 Hz:
1/2-hp pump; 1/4-hp fan
- Explosion-proof 230/460V, 3 PH, 60 Hz, 3 PH, DIV I,
Class I Gr D & Class II Gr F & G: 1/2-hp pump;
1/4-hp fan



Air-cooled Oil Filter shown with complete kit

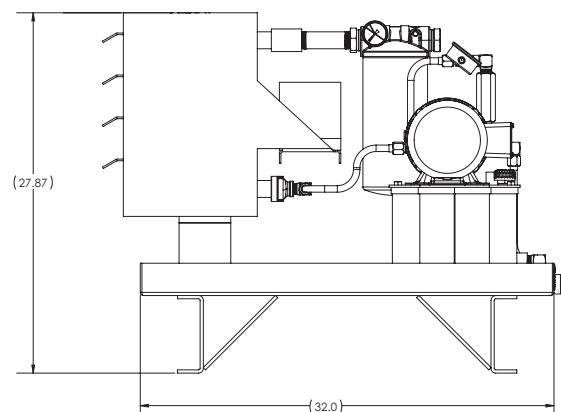
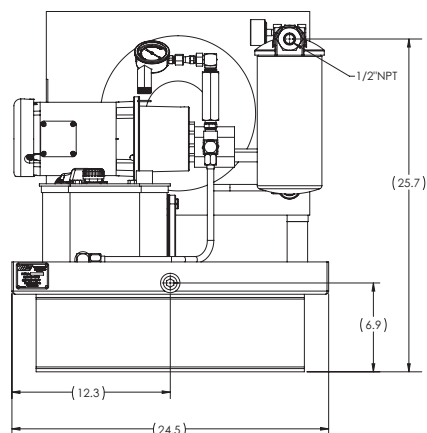
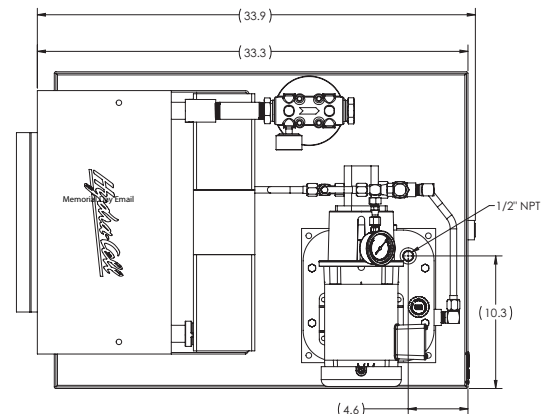
Assembly Components

- Spin-on oil filter
- 2-gallon oil reservoir
- 65-psi check valve
- 200-psi gauge
- Dirty filter indicator - holds up to 130 grams of dirt*
- Inlet: 1/2" NPT
- Outlet: 1-1/2" NPT
- Air cooler capacity**
1 gpm = 0.84 gallons; 2 gpm = 1.07 gallons

* Filter replacement using Wanner Engineering's standard motor oil replacement protocol recommended after 500 hours of service

** Does not include oil volume for inlet and outlet hoses or individual pump capacity

Dimensions in Inches (Reference only)



Hydra-Cell Hydraulic Oil Coolers

Water-cooled Oil Filter

Cools Hydra-Oil from 250°F to 185°F using 3 gpm of up to 80°F water.

Gear Pump Options

- 1 gpm for Hydra-Cell Model D03, D04, D10, D15 & H25 pumps
- 2 gpm Hydra-Cell Model D35, D40, D66, TI00 & Q155 pumps

Motor Options (Pump)

- TEFC 230/460V, 3PH, 60 Hz & 190/380V, 3 PH, 50 Hz: 1/2-hp pump
- Explosion-proof 230/460V, 3 PH, 60 Hz, 3 PH, DIV I, Class I Gr D & Class II Gr F & G: 1/2-hp pump



Water-cooled Oil Filter shown with complete kit

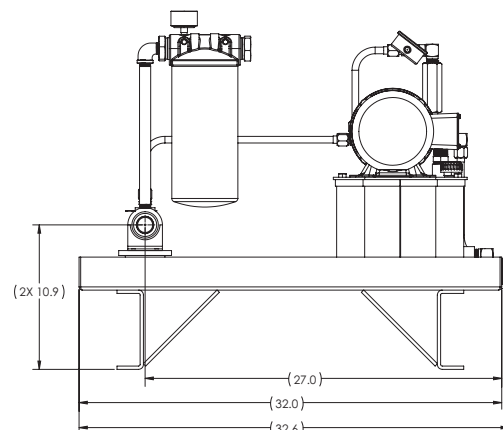
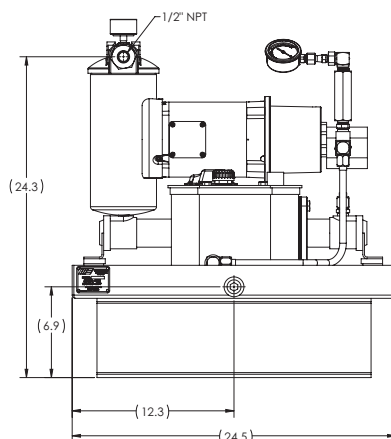
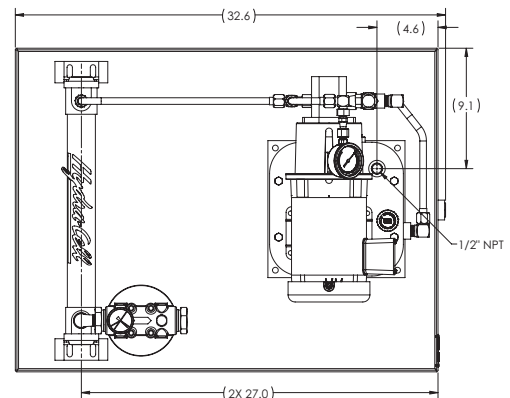
Assembly Components

- Spin-on oil filter
- 2-gallon oil reservoir
- 65-psi check valve
- 200-psi gauge
- Dirty filter indicator - holds up to 130 grams of dirt*
- Water modulating valve
- Bulb well
- Inlet: 1/2" NPT
- Outlet: 1-1/2" NPT
- Water cooler capacity** approx. 1 quart

* Filter replacement using Wanner Engineering's standard motor oil replacement protocol recommended after 500 hours of service

** Does not include oil volume for inlet and outlet hoses or individual pump capacity

Dimensions in Inches (Reference only)



Hydra-Cell®

Seal-less Pumps



Wanner Engineering, Inc.

World Headquarters & Manufacturing

Wanner Engineering, Inc.
1204 Chestnut Avenue,
Minneapolis, MN 55403 USA
Phone: 612-332-5681 • Fax: 612-332-6937
Toll-Free Fax (USA): 800-332-6812
Email: sales@wannereng.com
www.Hydra-Cell.com

Regional Office

207 US Highway 281
Wichita Falls, TX 76310 USA
Phone: 940-322-7111
Toll-Free: 800-234-1384
Email: sales@wannereng.com
www.Hydra-Cell.com

Latin American Office

R. Álvaro Anes, 150 Bairro Campestre
Santo André/São Paulo, Brazil - CEP 09070-030
Phone: +55 (11) 4081-7098
Email: mmagoni@wannereng.com
www.Hydra-Cell.com



Wanner International Ltd.

Wanner International, Ltd.
Hampshire - United Kingdom
Phone: +44 (0) 1252 816847
Email: sales@wannerint.com
www.Hydra-Cell.co.uk



Wanner Pumps Ltd.

Wanner Pumps, Ltd.
Kowloon - Hong Kong
Phone: +852 3428 6534
Email: sales@wannerpumps.com
www.WannerPumps.com

Shanghai - China
Phone: +86-21-6876 3700
Email: sales@wannerpumps.com
www.WannerPumps.com