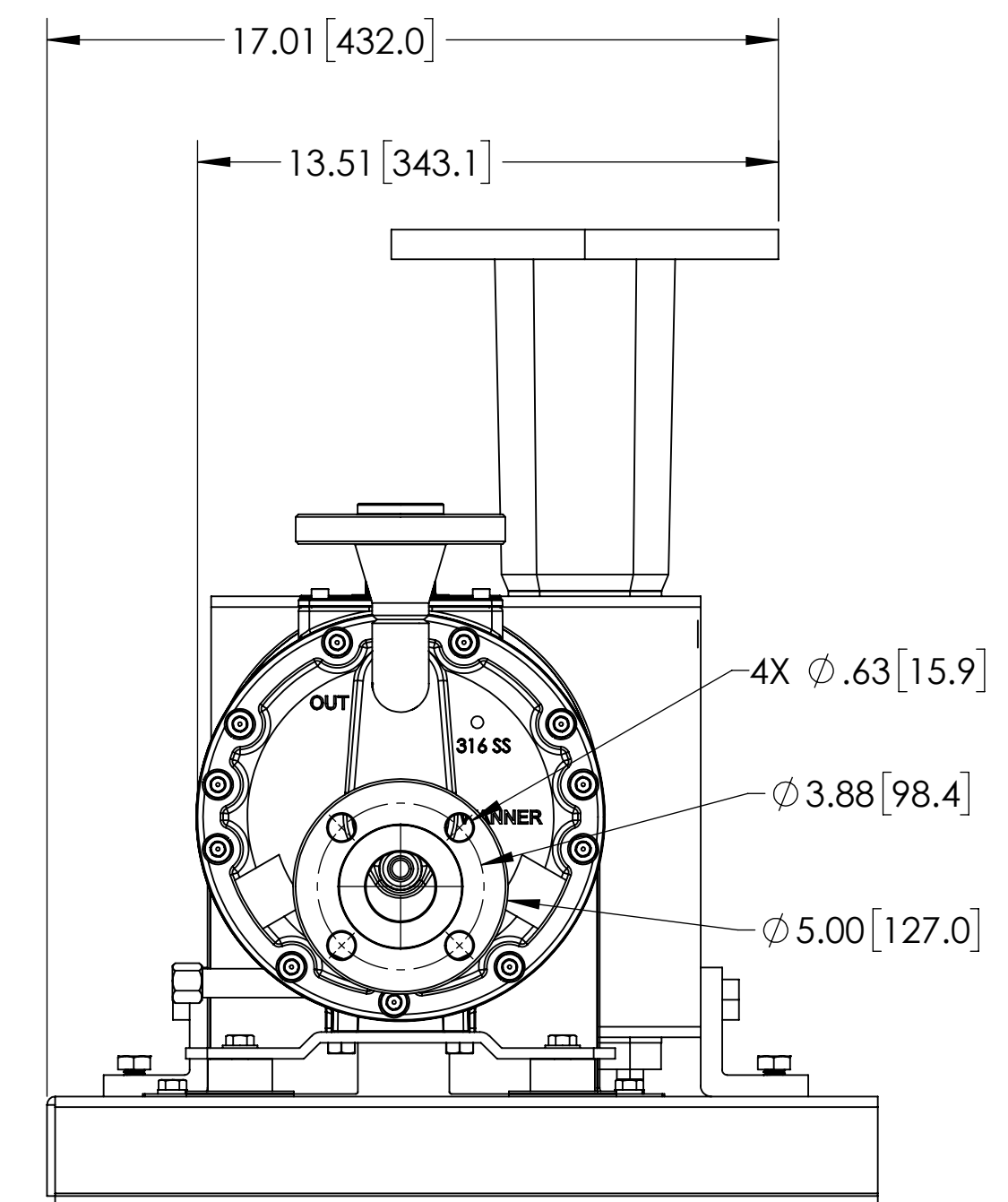
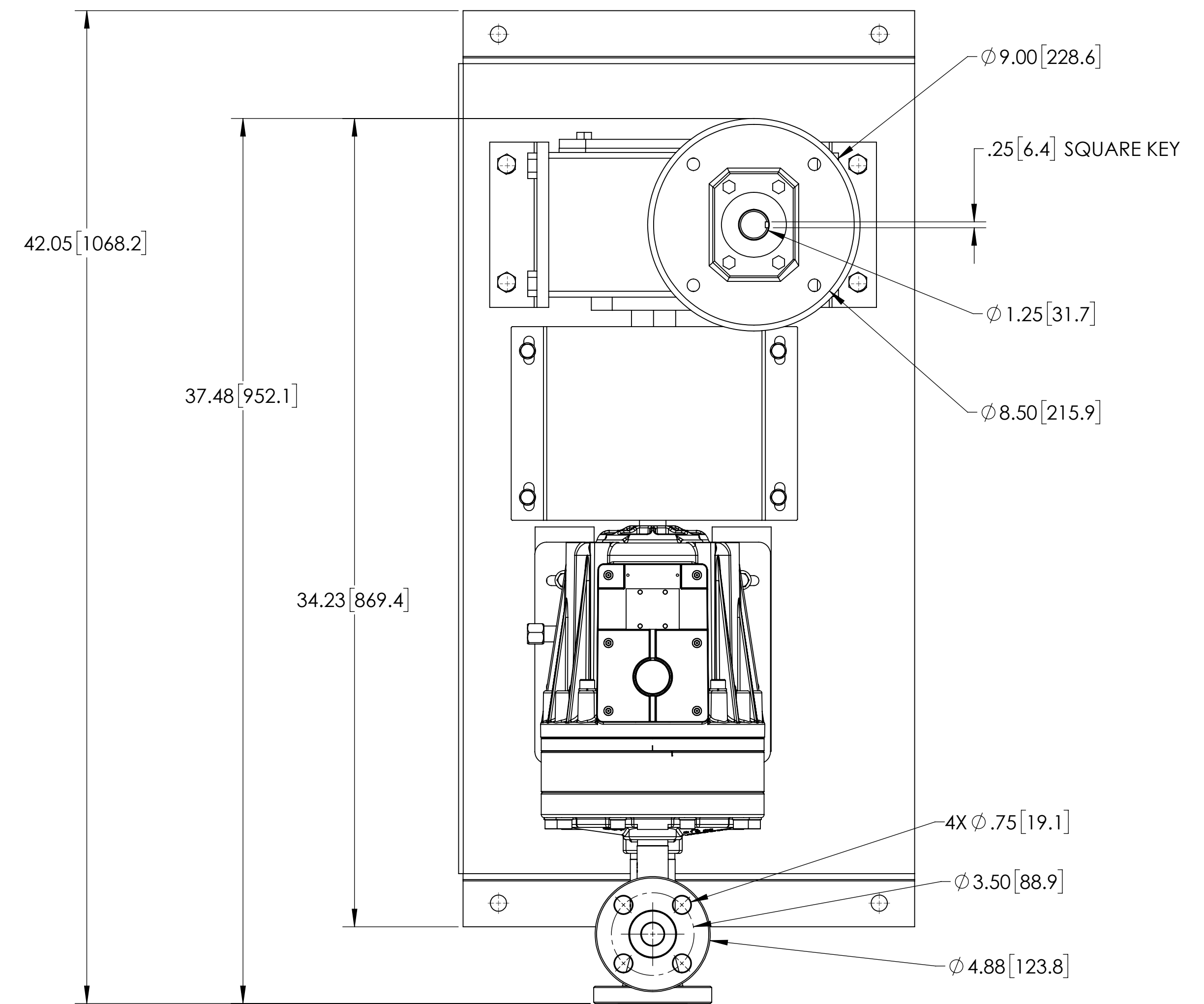
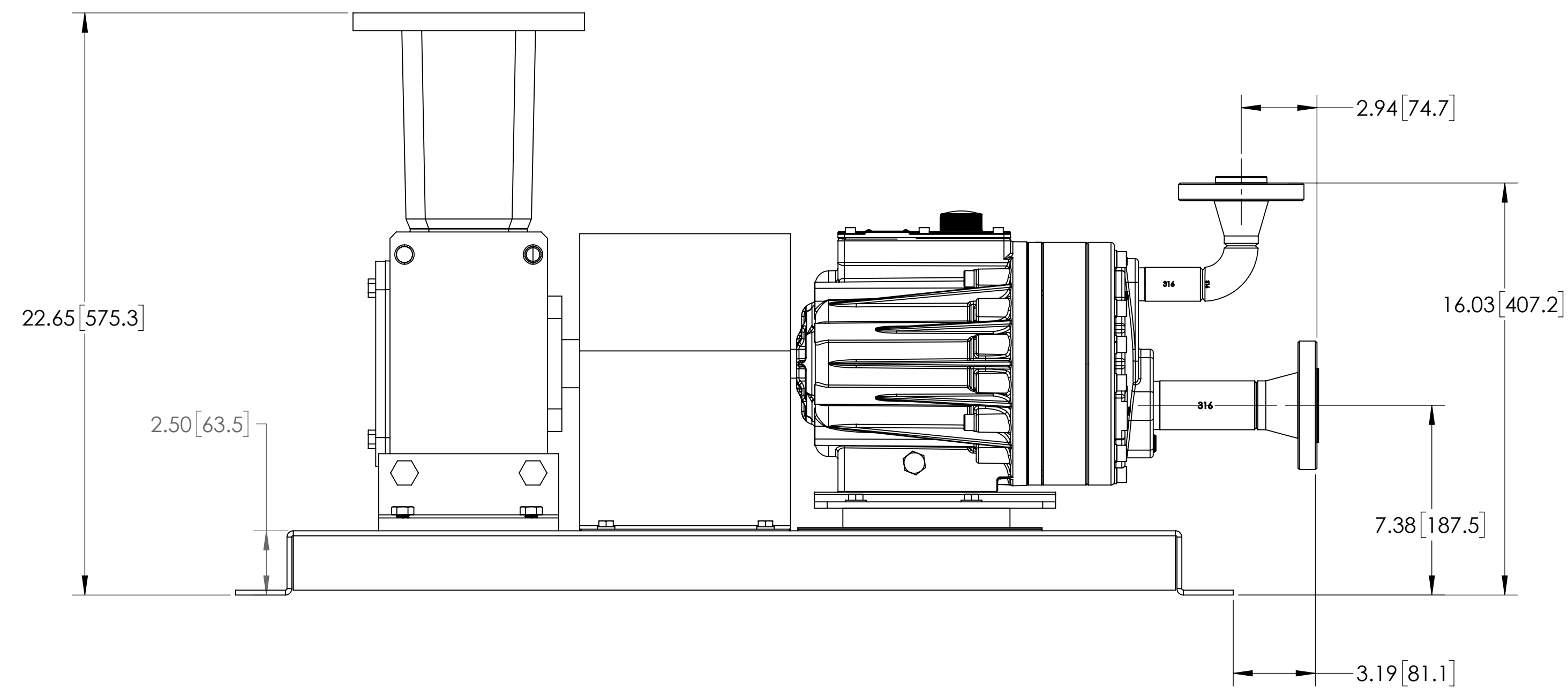


BASE PLATE 112-717



NOTES:  
1 DIMENSIONS IN BRACKETS ARE IN MILLIMETERS

**OUTLINE DRAWING**  
ALL DIMENSIONS ARE REFERENCE

PROPRIETARY STATEMENT  
This document contains confidential and proprietary information and is not to be reproduced or the information contained therein disclosed to others without consent, in writing, from WANNER ENGINEERING INC.

DWN	03/04/2015	MSB
CHK'D		
APP'D		
USED ON		
NEXT ASSY		
	SHEET 1 OF 1	
SCALE:	1:12	FORM DBLK

WANNER ENGINEERING INC  
1204 CHESTNUT AVE. MPLS, MN 55403

TITLE  
**P600 SERIES FLANGE 254-56TC**  
DWG NO  
**P600 SERIES FLANGE NEMA 254-56TC**

SIZE  
D  
REV.