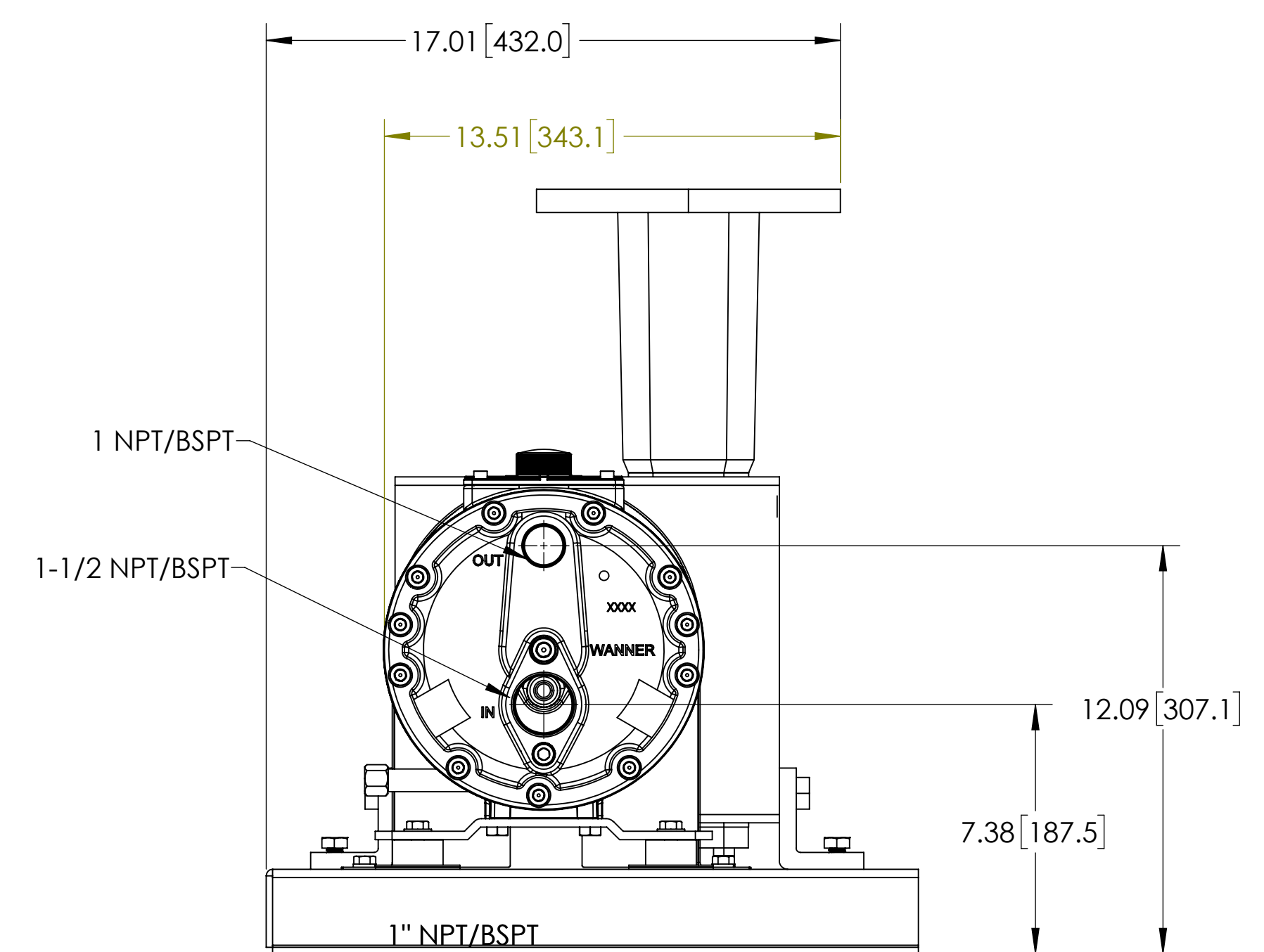
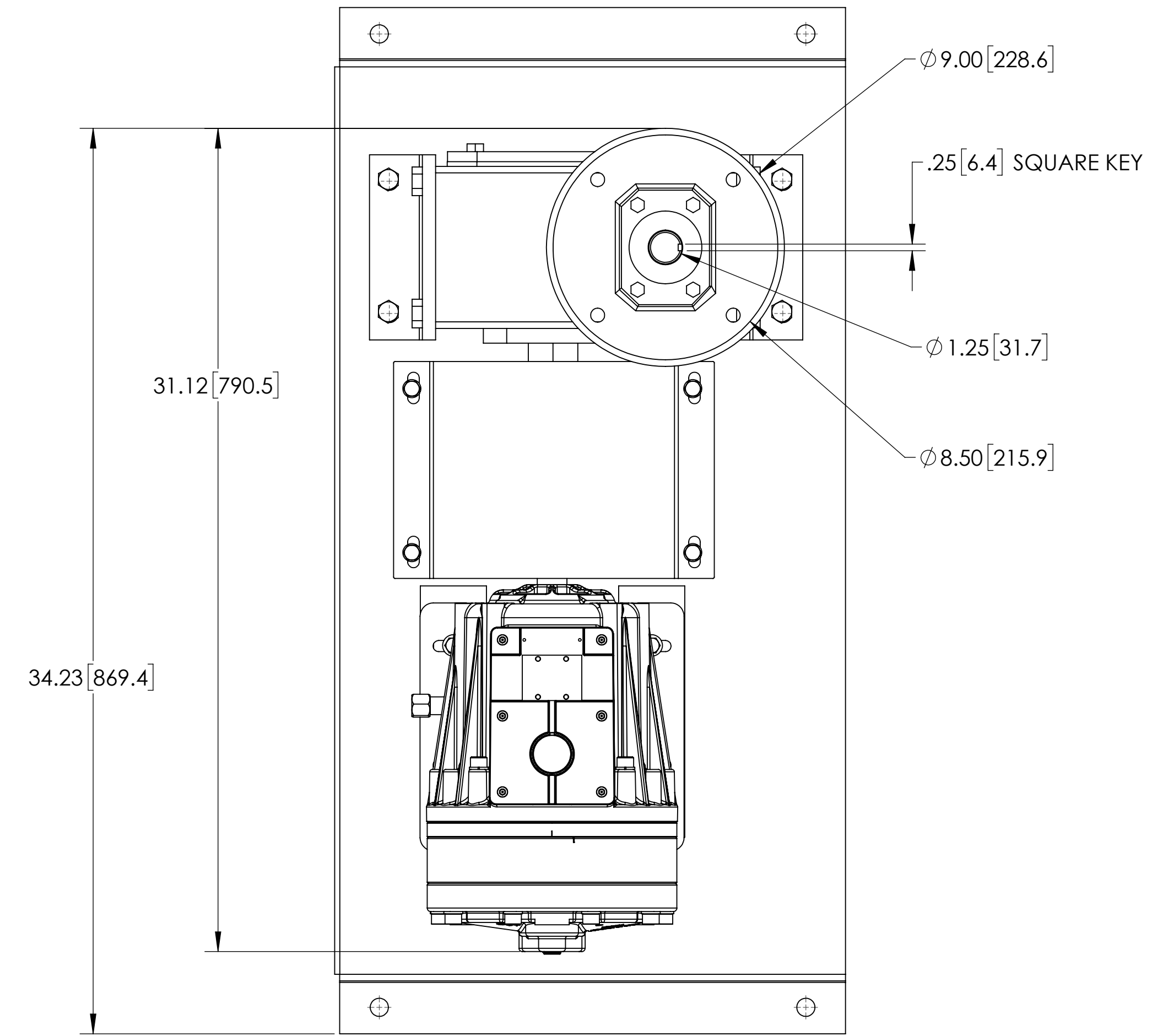
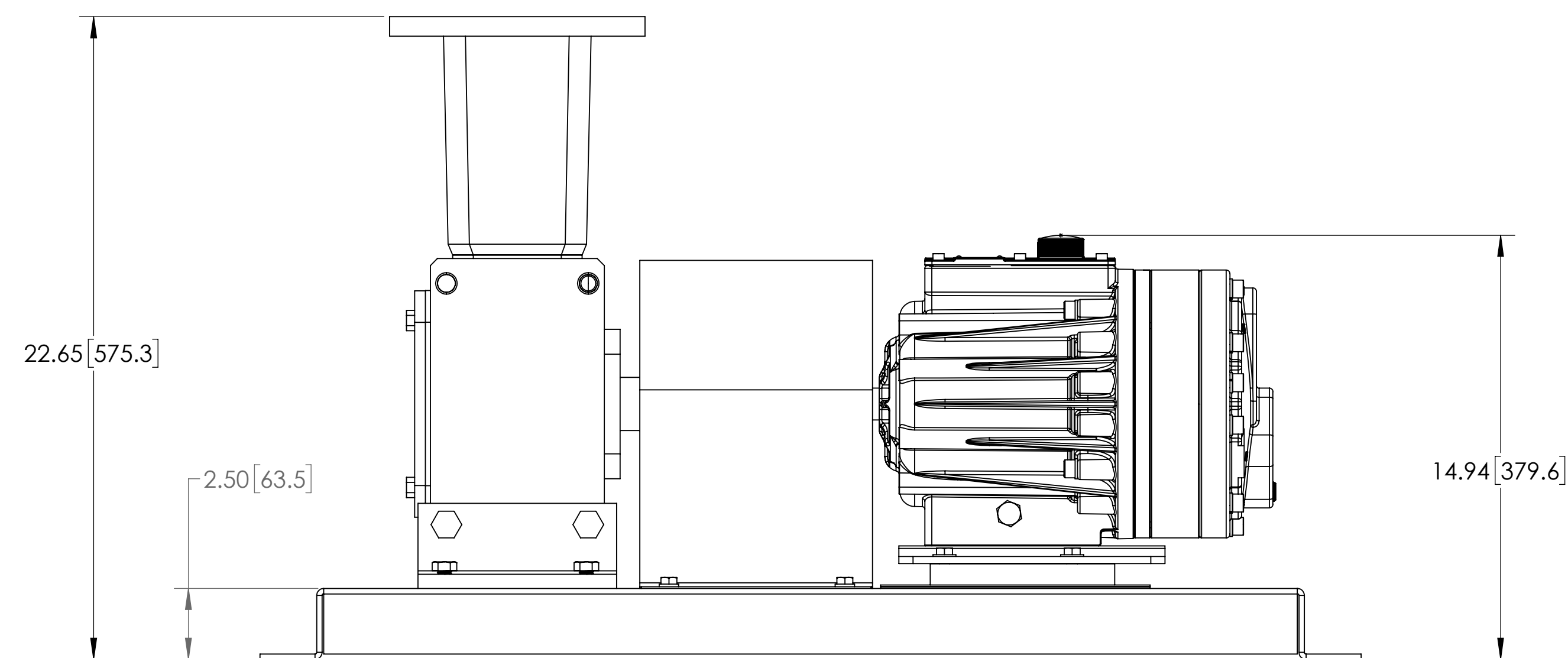


BASE PLATE 112-717



NOTES:
1 DIMENSIONS IN BRACKETS ARE IN MILLIMETERS

OUTLINE DRAWING
ALL DIMENSIONS ARE REFERENCE

PROPRIETARY STATEMENT
This document contains confidential and proprietary information and is not to be reproduced or the information contained therein disclosed to others without consent, in writing, from WANNER ENGINEERING INC.

| | | |
|-------------|--------------|-----|
| DWN | 03/04/2015 | MSB |
| CHK'D | | |
| APP'D | | |
| USED ON | | |
| NEXT ASSY | | |
| | SHEET 1 OF 1 | |
| SCALE: 1:12 | FORM DBLK | |

| | | |
|-------------------------------------------------------------|---------------------------|-----------|
| WANNER ENGINEERING INC 1204 CHESTNUT AVE. MPLS, MN 55403 | | SIZE D |
| TITLE | P600 SERIES 254-56TC | REV. |
| DWG NO | P600 SERIES NEMA 254-56TC | |