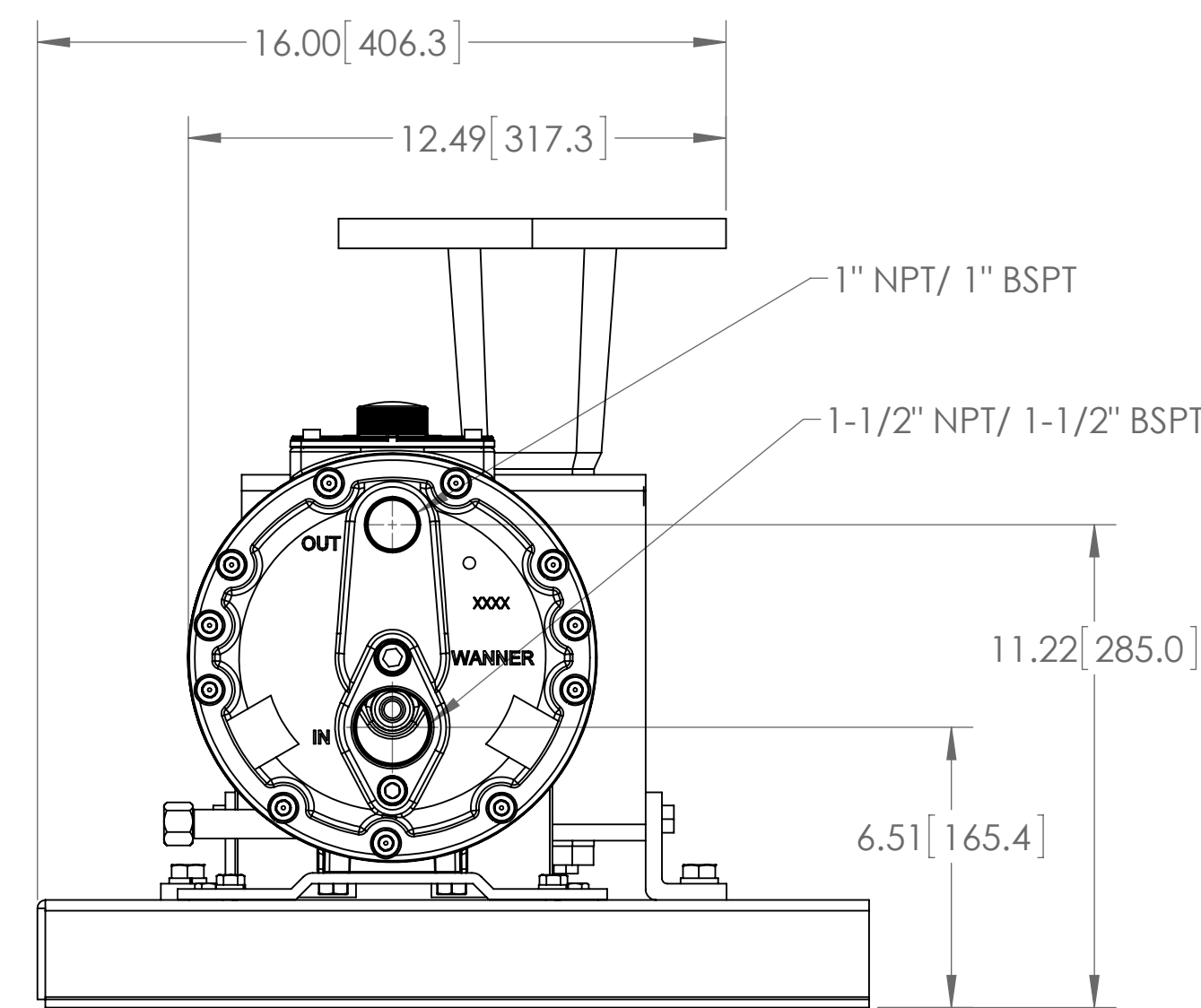
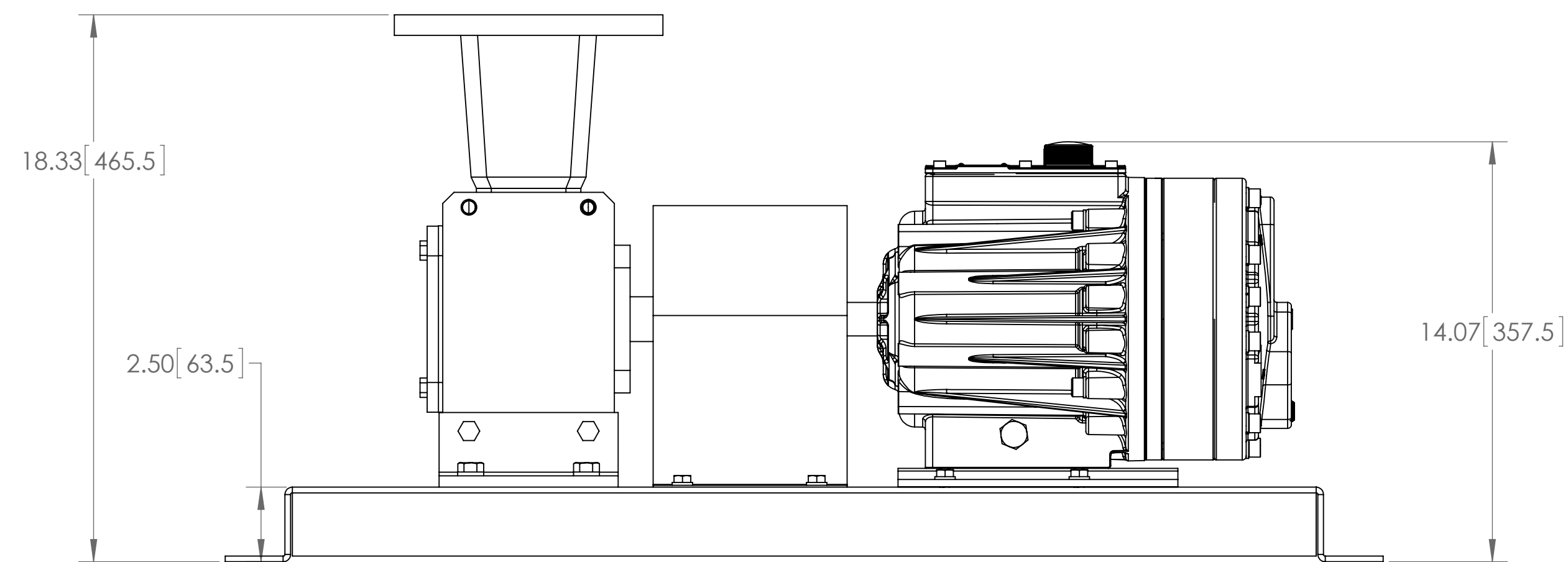
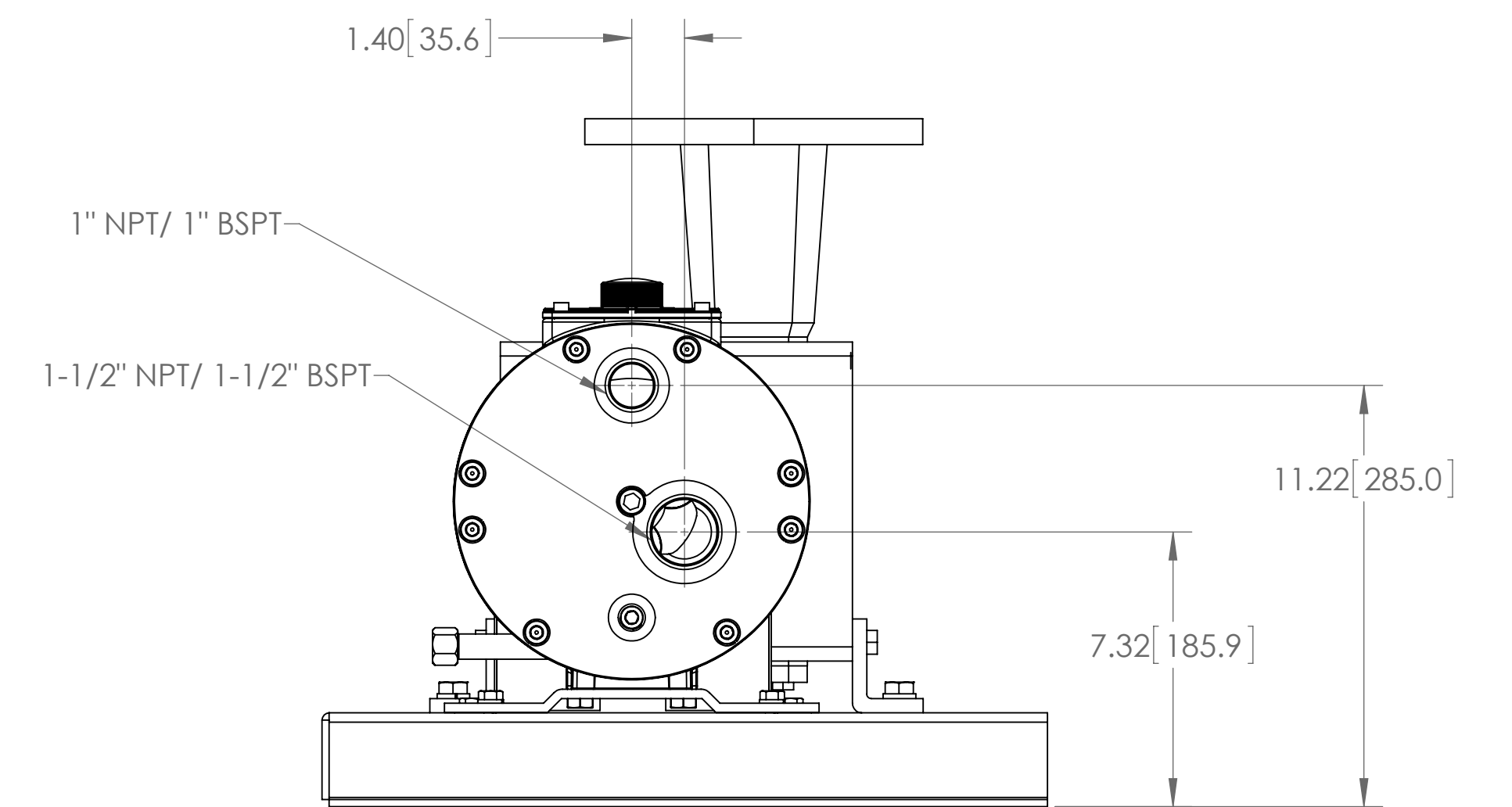


BASE PLATE 112-717



METALLIC PUMP HEAD



PLASTIC PUMP HEAD

NOTES:  
1 DIMENSIONS IN BRACKETS ARE IN MILLIMETERS

**OUTLINE DRAWING**  
ALL DIMENSIONS ARE REFERENCE

PROPRIETARY STATEMENT  
This document contains confidential and proprietary information and is not to be reproduced or the information contained therein disclosed to others without consent, in writing, from WANNER ENGINEERING INC.

DWN	03/04/2015	MSB
CHK'D		
APP'D		
USED ON		
NEXT ASSY		
	SHEET 1 OF 1	
	SCALE: 1:12	FORM DBLK

WANNER ENGINEERING INC 1204 CHESTNUT AVE. MPLS, MN 55403		SIZE D
TITLE	P600 W/ FLEXALINE 232 REDUCER	REV.
DWG NO	P600 SERIES CXX	