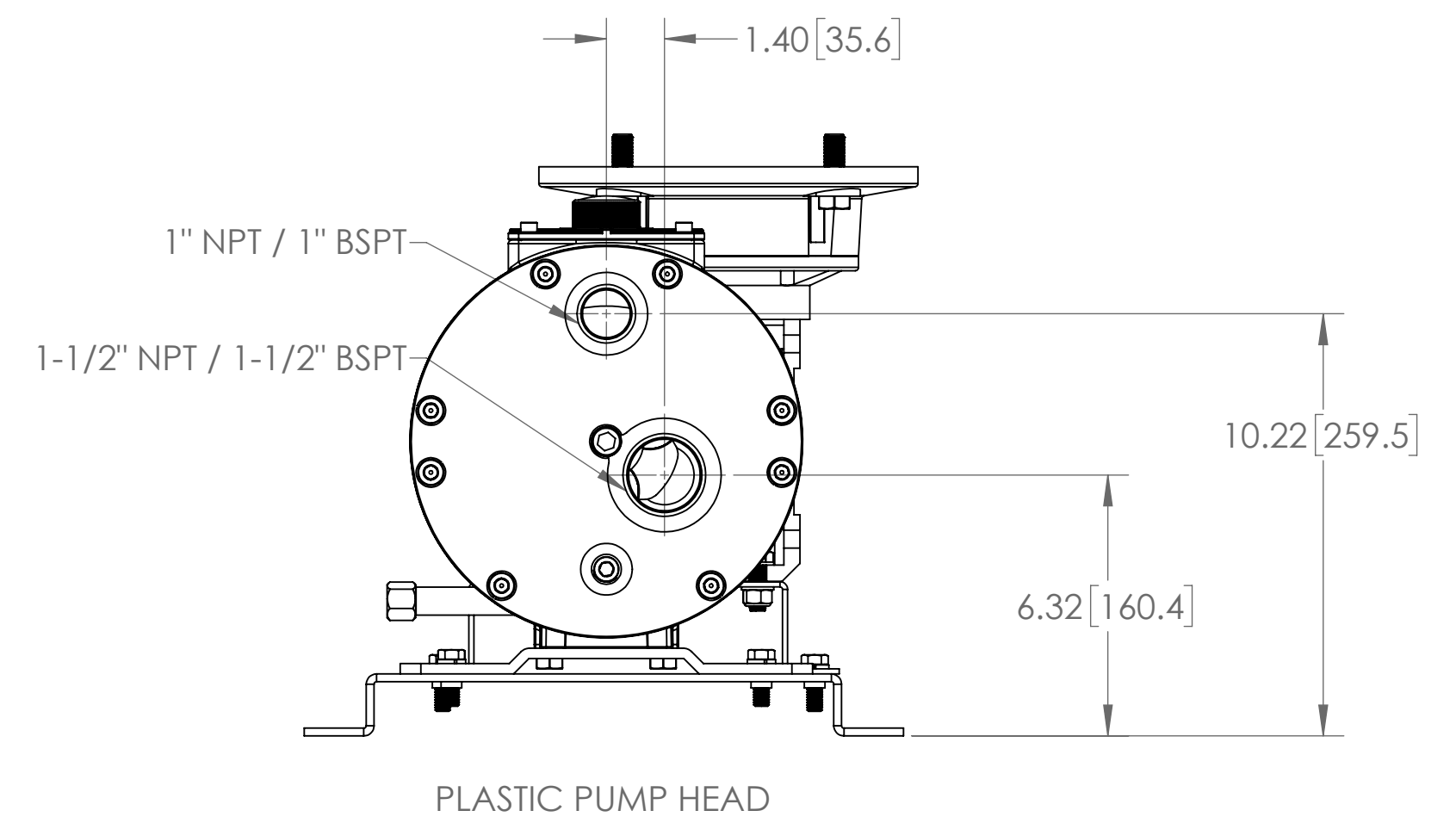
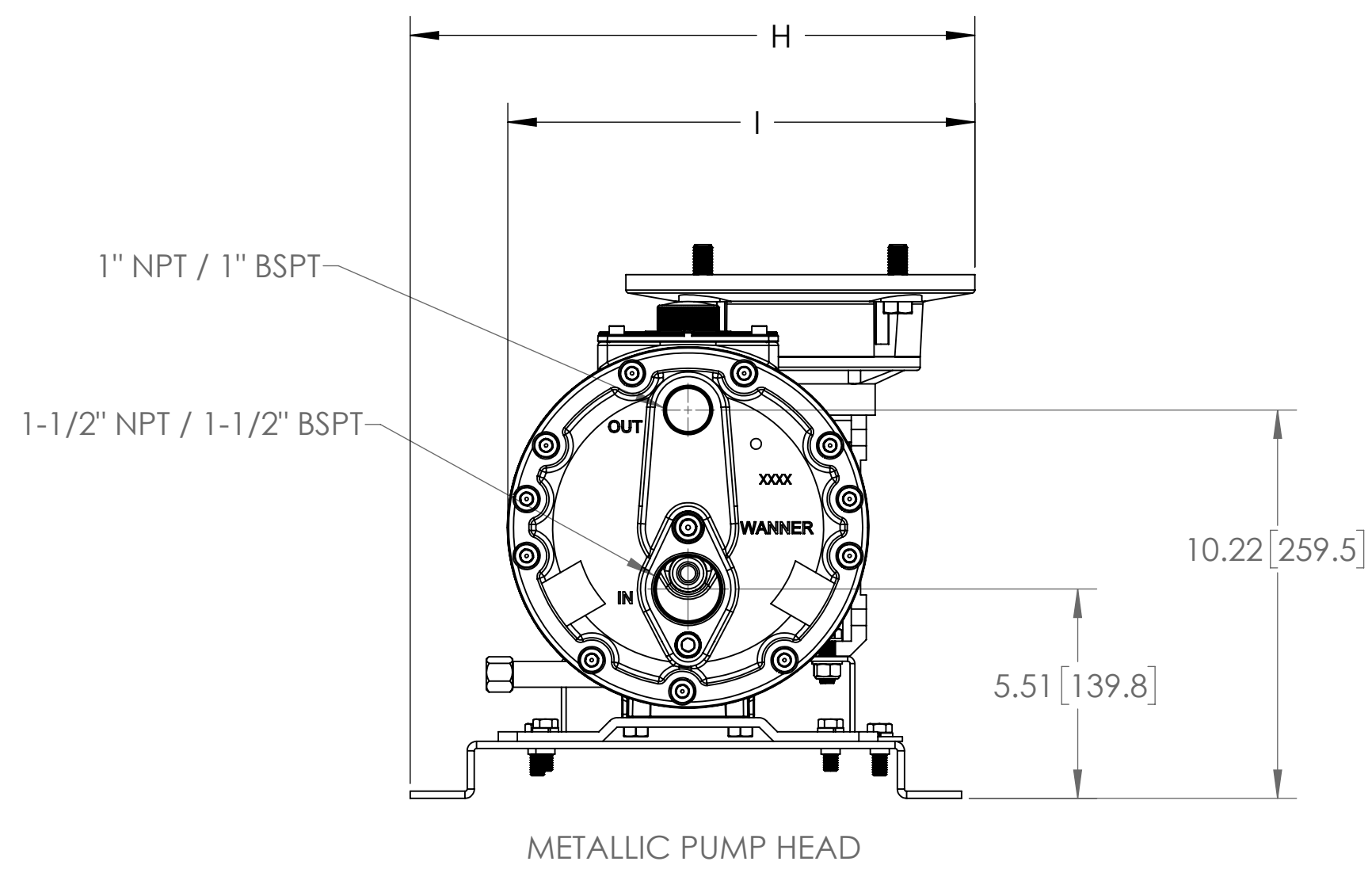
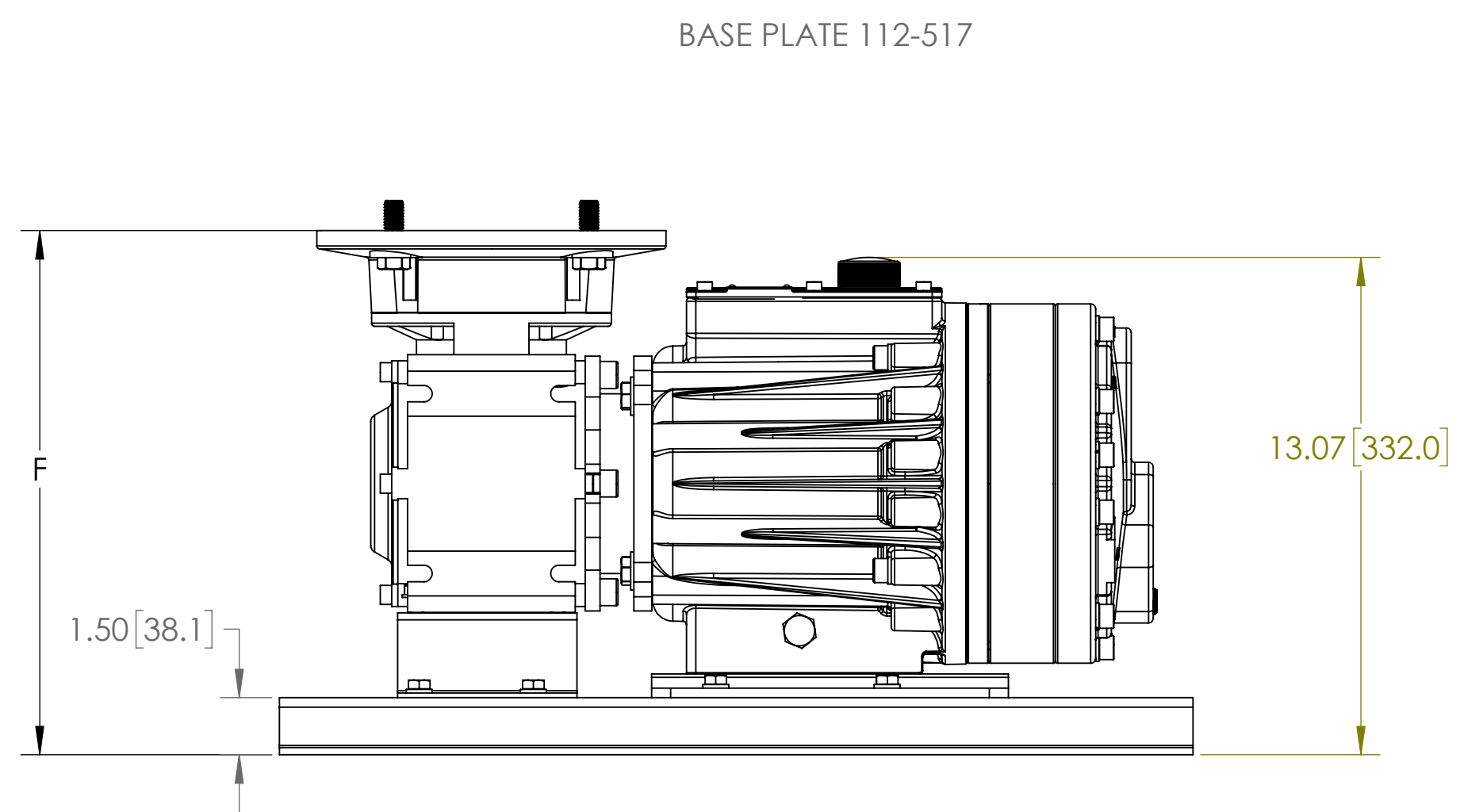
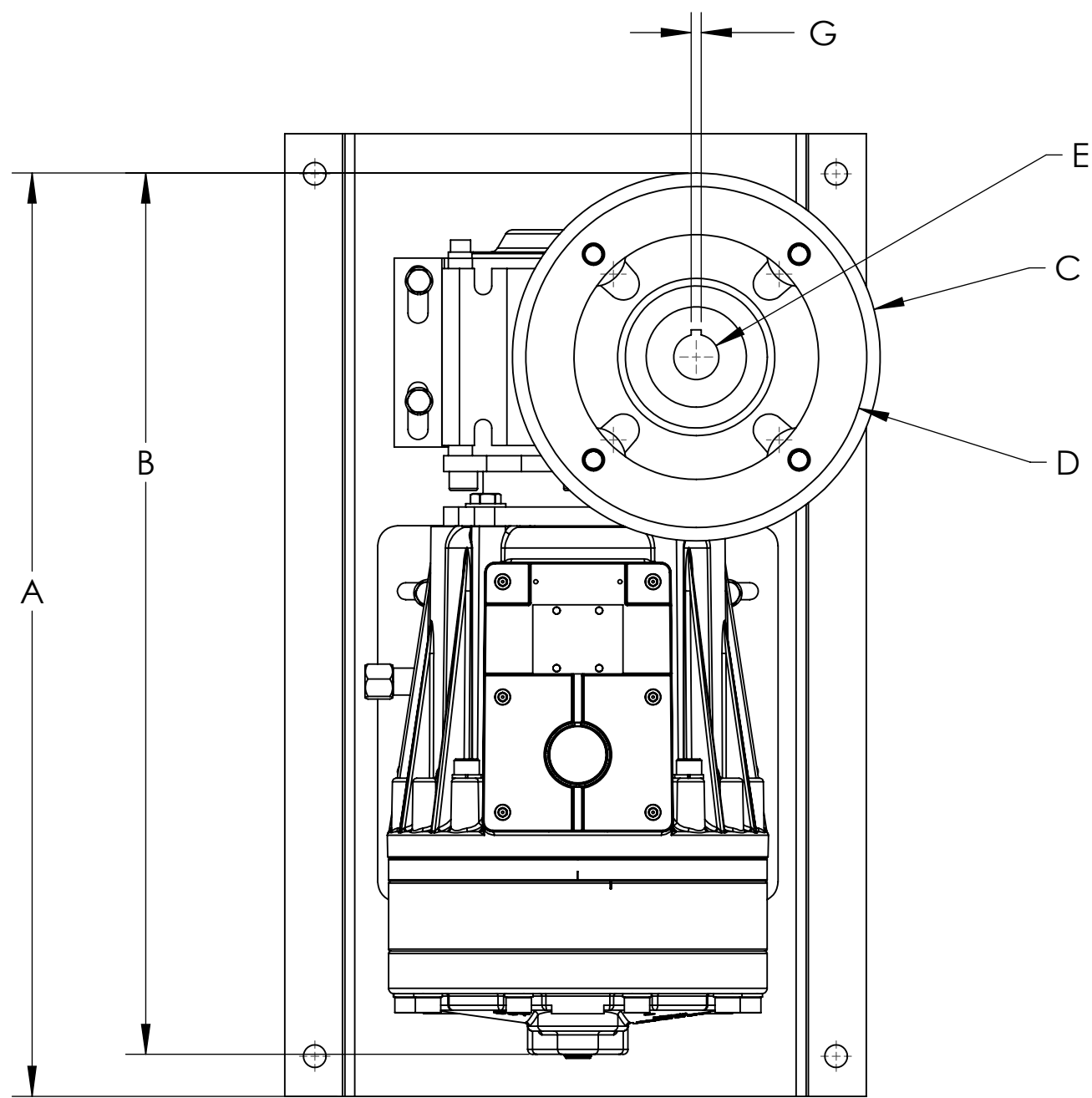
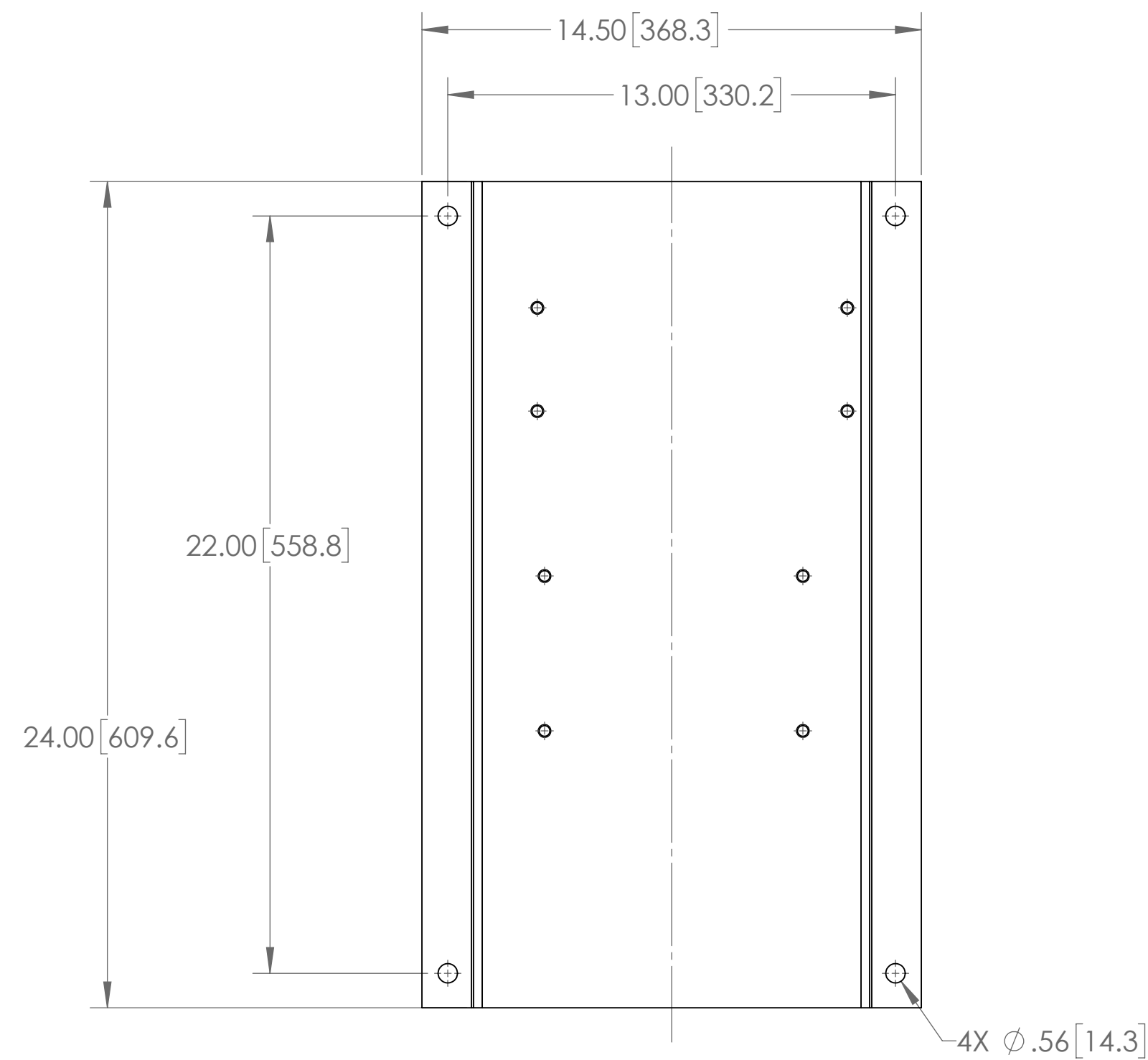


INPUT FRAME SIZE	DIMENSIONS: INCHES AND [MILLIMETERS]									
	A	B		C	D	E	F	G (SQUARE KEY)	H	I
		METALLIC PUMP HEAD	PLASTIC PUMP HEAD							
NEMA 143/145 TC	21.70 [551.2]	20.70 [524.7]	21.57 [547.9]	∅ 6.54 [∅ 166]	∅ 4.50 [∅ 114.3]	∅ .87 [∅ 22.2]	13.22 [335.9]	.187 [4.75]	13.53 [343.7]	10.97 [278.7]
NEMA 182/183 TC	23.01 [583.6]	22.01 [561.3]	22.11 [561.6]	∅ 9.17 [∅ 233]	∅ 8.50 [∅ 215.9]	∅ 1.12 [∅ 26.6]	13.77 [349.8]	.250 [6.35]	14.84 [376.9]	12.29 [312.2]
IEC 90 B5	22.36 [568.2]	21.36 [542.5]	22.16 [562.9]	∅ 7.87 [∅ 200]	∅ 5.12 [∅ 130]	∅ .94 [∅ 24]	13.42 [340.7]	.314 [8]	14.20 [360.6]	11.63 [295.5]
IEC 100/112 B14	21.58 [548.3]	20.58 [522.7]	21.45 [544.8]	∅ 6.30 [∅ 160]	∅ 4.33 [∅ 110]	∅ 1.10 [∅ 28]	13.42 [340.7]	.314 [8]	13.41 [340.6]	10.85 [275.6]



**OUTLINE DRAWING**  
ALL DIMENSIONS ARE REFERENCE

PROPRIETARY STATEMENT  
This document contains confidential and proprietary information and is not to be reproduced or the information contained therein disclosed to others without consent, in writing, from WANNER ENGINEERING INC.

DWN	04/25/2014	MSB
CHK'D		
APP'D		
USED ON		
NEXT ASSY		
	SHEET 1 OF 1	
SCALE: 1:4	FORM DBLK	

WANNER ENGINEERING INC  
1204 CHESTNUT AVE. MPLS, MN 55403

TITLE ASSY, PUMP, P600 & 75 REDUCER W/INPUT FLANGE

DWG NO P600 PUMP SERIES FB75

SIZE D  
REV.