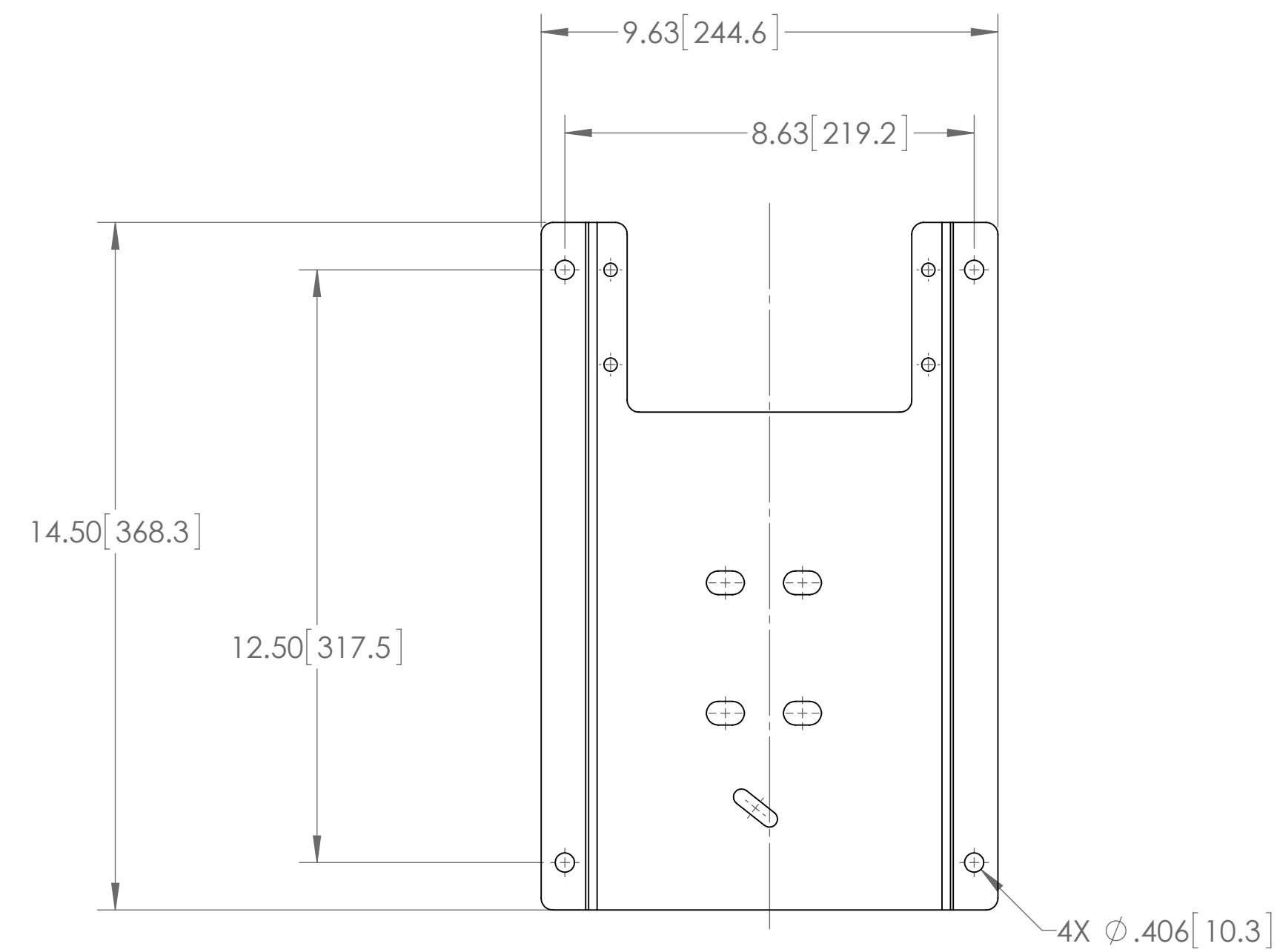
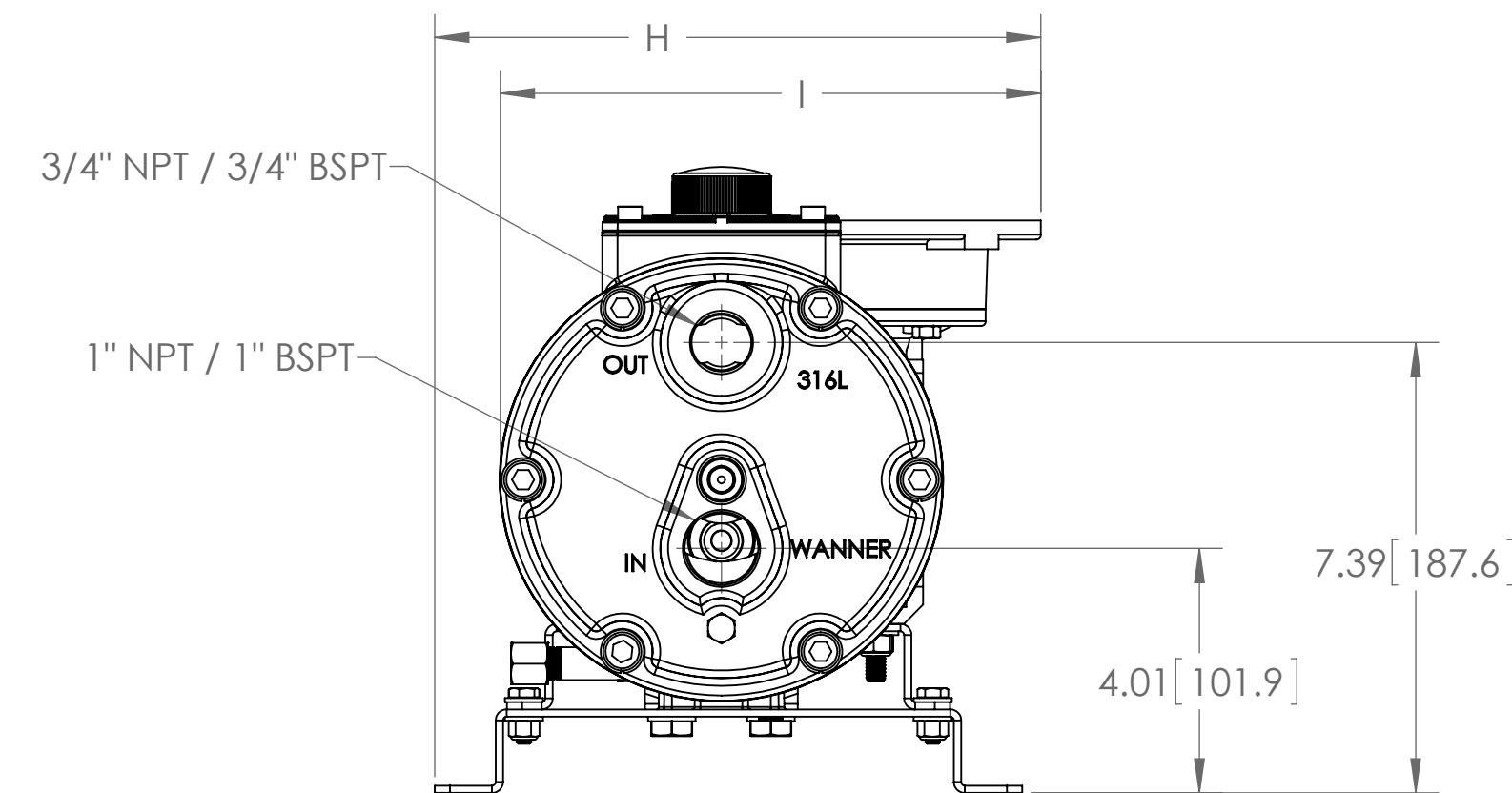
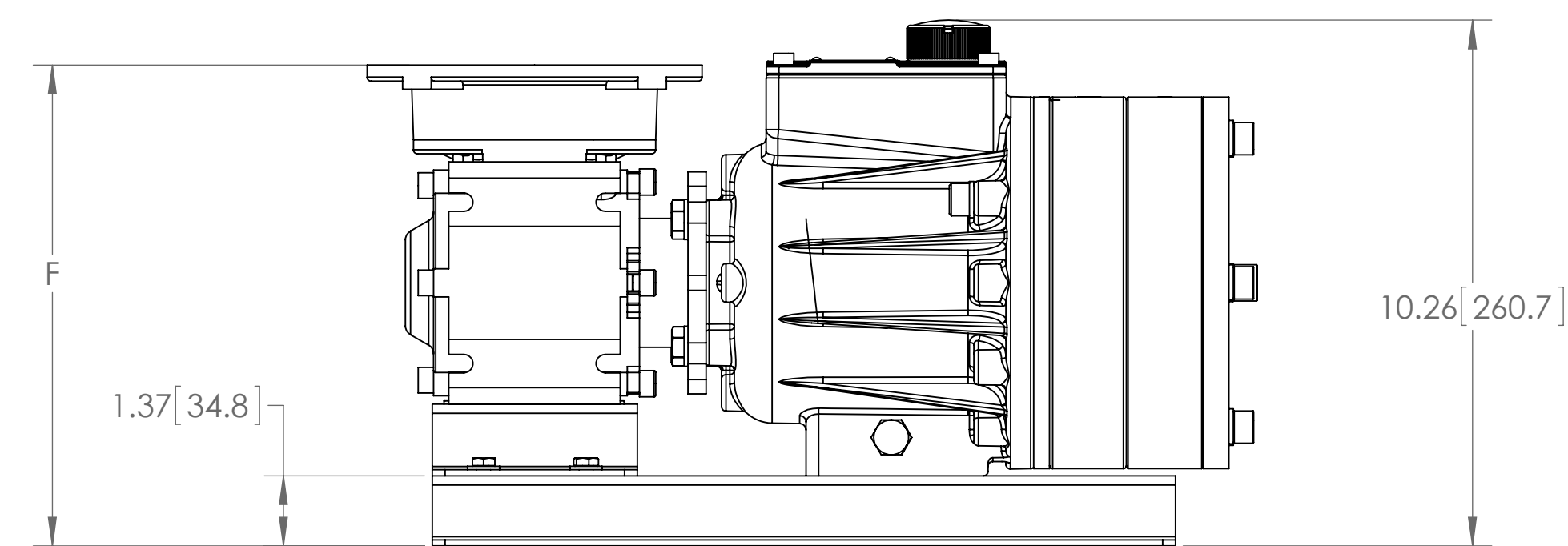
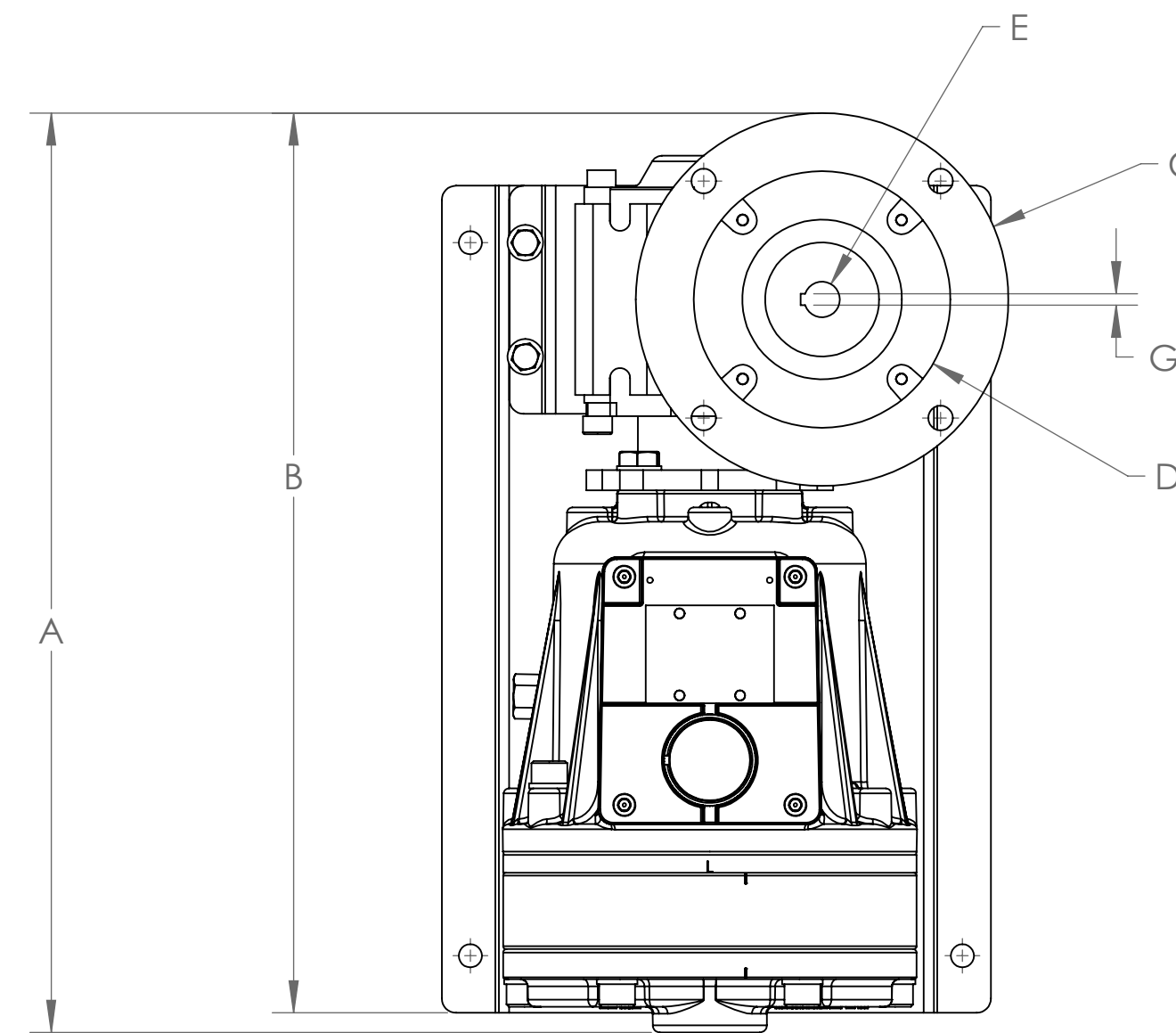


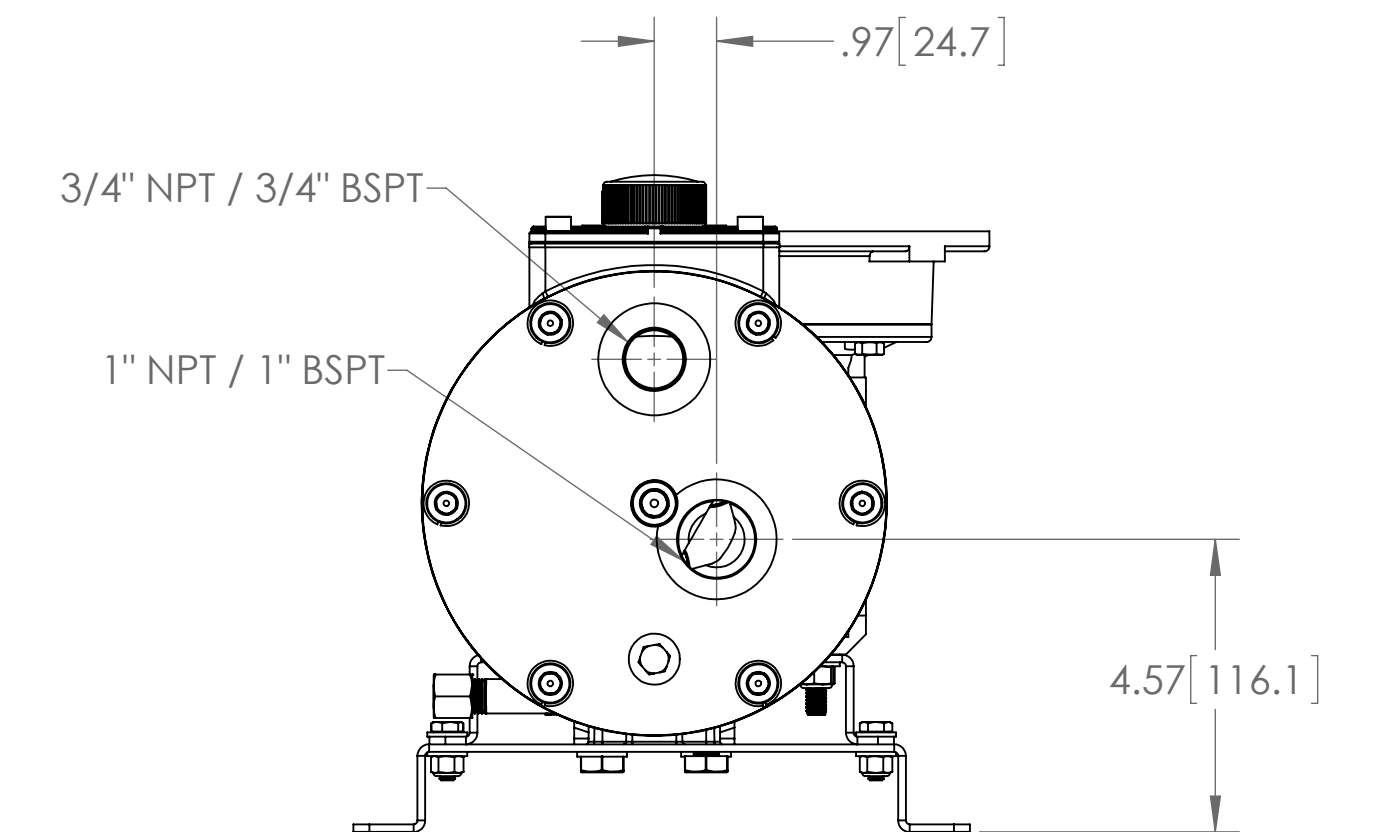
INPUT FRAME SIZE	DIMENSIONS: INCHES AND [MILLIMETERS]									
	A		B	C	D	E	F	G (SQUARE KEY)	H	I
	METALLIC PUMP HEAD	PLASTIC PUMP HEAD								
NEMA 56C	16.12 [409.4]	17.29 [439.1]	15.77 [400.6]	∅ 6.54 [∅ 166]	∅ 4.50 [∅ 114.3]	∅ .62 [∅ 15.7]	9.39 [238.4]	.187 [4.75]	9.94 [252.4]	8.86 [225.1]
NEMA 143/145 TC	16.12 [409.4]	17.29 [439.1]	15.77 [400.6]	∅ 6.54 [∅ 166]	∅ 4.50 [∅ 114.3]	∅ .87 [∅ 22.2]	9.86 [250.4]	.187 [4.75]	9.94 [252.4]	8.86 [225.1]
IEC 63 B5	15.60 [396.2]	16.77 [426]	15.25 [387.4]	∅ 5.51 [∅ 140]	∅ 3.74 [∅ 95]	∅ .43 [∅ 11]	9.21 [233.9]	.157 [4]	9.43 [239.5]	8.35 [212.2]
IEC 71 B5	16.00 [406.4]	17.17 [436.1]	15.65 [397.5]	∅ 6.30 [∅ 160]	∅ 4.33 [∅ 110]	∅ .55 [∅ 14]	9.21 [233.9]	.196 [5]	9.82 [249.4]	8.74 [222.1]
IEC 80 B5	16.79 [426.5]	17.96 [456.2]	16.43 [417.32]	∅ 7.87 [∅ 200]	∅ 5.12 [∅ 130]	∅ .75 [∅ 19]	9.21 [233.9]	.236 [6]	10.61 [269.5]	9.53 [242.2]
IEC 90 B5	16.79 [426.5]	17.96 [456.2]	16.43 [417.32]	∅ 7.87 [∅ 200]	∅ 5.12 [∅ 130]	∅ .94 [∅ 24]	9.69 [246.9]	.315 [8]	10.61 [269.5]	9.53 [242.2]



BASE PLATE 112-01X



METALLIC PUMP HEAD



PLASTIC PUMP HEAD

OUTLINE DRAWING
ALL DIMENSIONS ARE REFERENCE

PROPRIETARY STATEMENT
This document contains confidential and proprietary information and is not to be reproduced or the information contained therein disclosed to others without consent, in writing, from WANNER ENGINEERING INC.

DWN	04/07/2014	MSB
CHK'D		
APP'D		
USED ON		
NEXT ASSY		
	SHEET 1 OF 1	
SCALE: 1:3	FORM DBLK	

WANNER ENGINEERING INC
1204 CHESTNUT AVE. MPLS, MN 55403

TITLE ASSY, PUMP, P400 & 50 REDUCER W/INPUT FLANGE

DWG NO

P400 PUMP SERIES

SIZE D
REV.