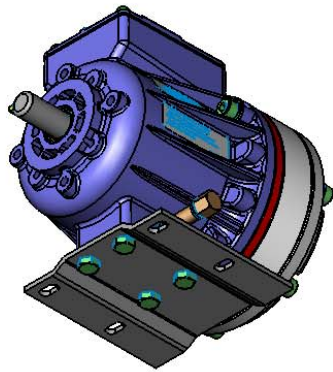
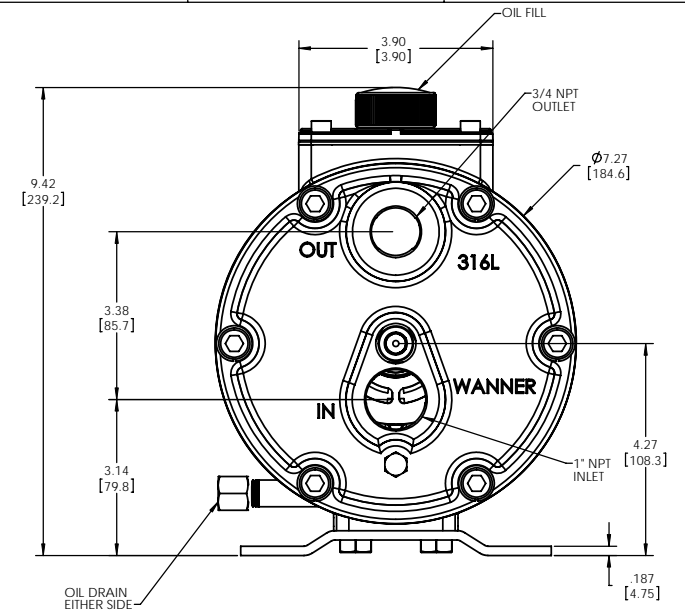
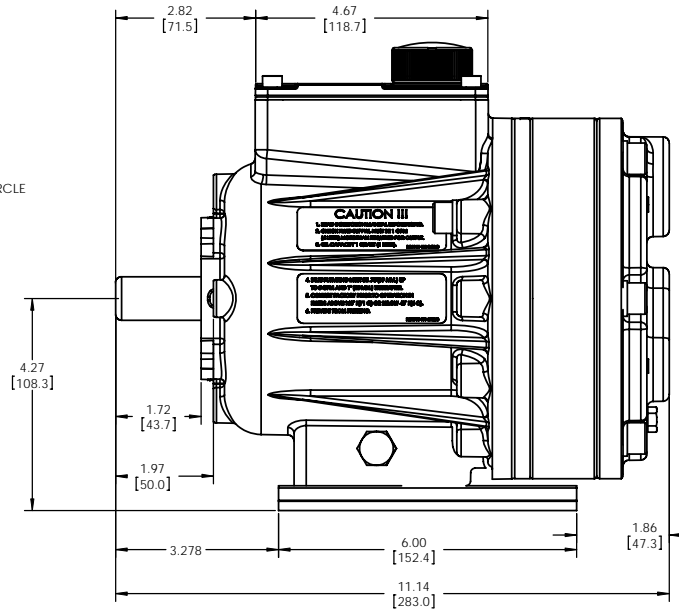
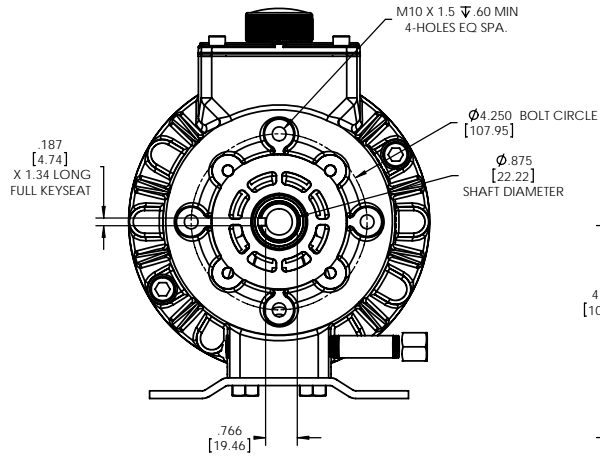
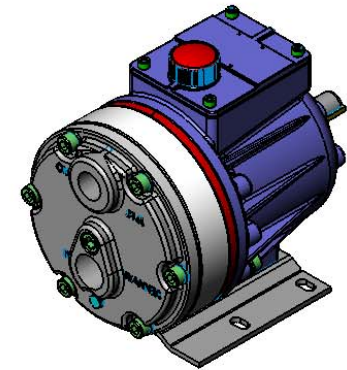
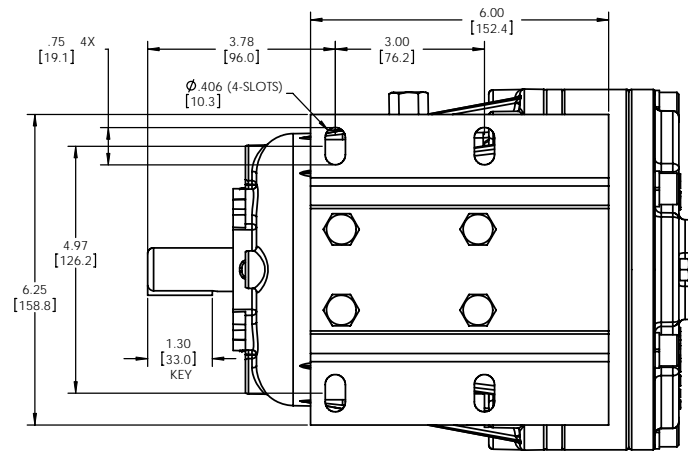


DWG NO  
D10-000-1000-OD



ISOMETRIC VIEW



ISOMETRIC VIEW

**OUTLINE DRAWING**  
ALL DIMENSIONS ARE REFERENCE

PROPRIETARY STATEMENT  
This document contains confidential and proprietary  
information and is not to be reproduced or disseminated  
without consent in writing, from WANNER ENGINEERING INC.

DWN	04-08-08	GDI
CHK'D		
APP'D		
USED ON		
NEXT ASSY		
SHEET 1 OF 1		
SCALE: 1:1.25 FORM DBLK		

**WANNER ENGINEERING INC**  
1204 CHESTNUT AVE. MPLS, MN 55403

TITLE **OUTLINE DRAWING, D10 MET NPT**

DWG NO **D10-000-1000-OD**

SIZE  
**D**

REV.