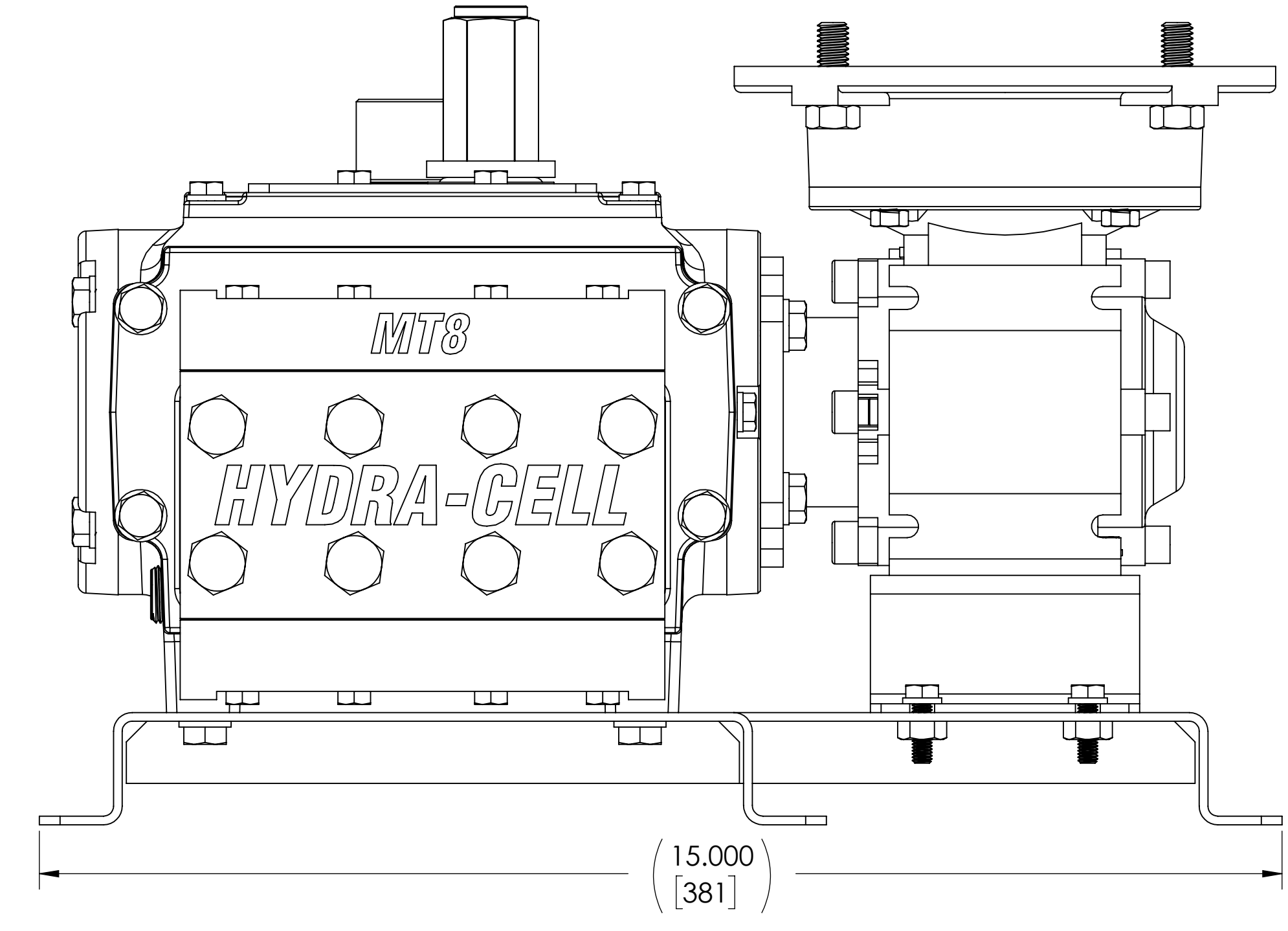
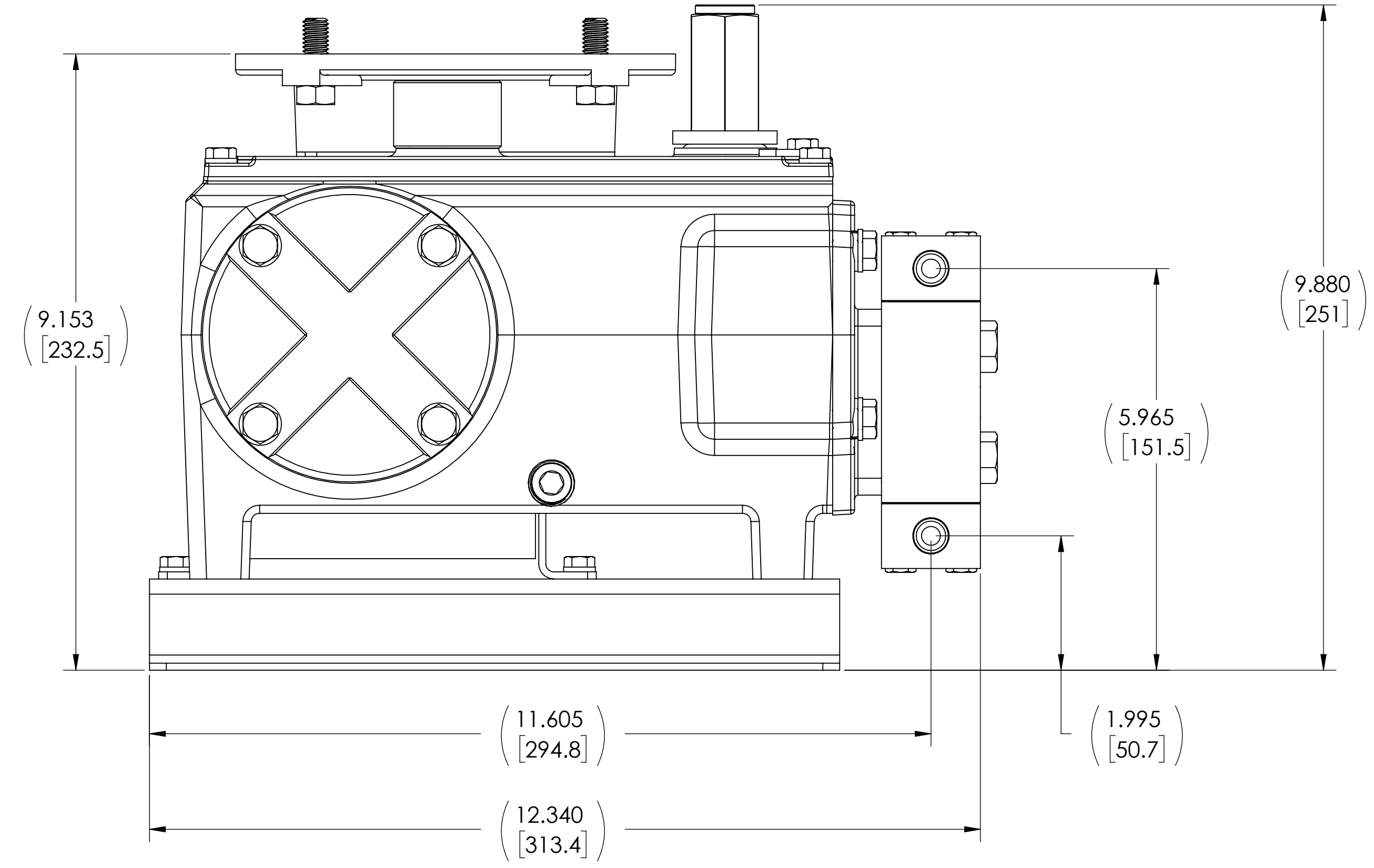
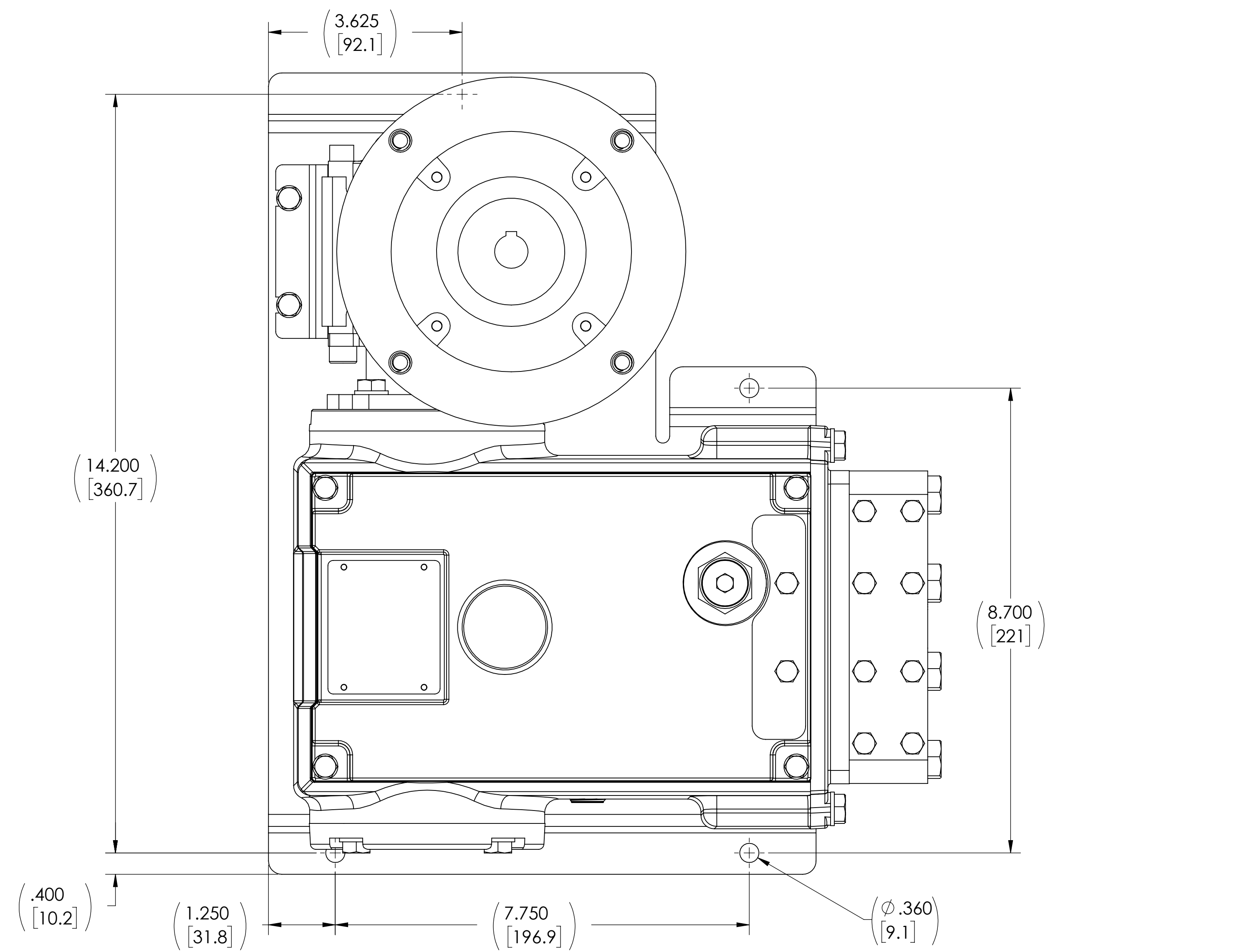


REVISIONS				
REV	DESCRIPTION	DATE	ECO	DWN



<small>PROPRIETARY STATEMENT:</small> THIS DOCUMENT CONTAINS CONFIDENTIAL AND PROPRIETARY INFORMATION AND IS TO BE USED ONLY BY THE PERSONNEL CONTAINED THEREIN. DISCLOSURE TO OTHERS WITHOUT CONSENT OF WANNER ENGINEERING, INC. WANNER ENGINEERING, INC.	<small>MATL</small> UNLESS OTHERWISE SPECIFIED: -DIMENSIONS ARE IN INCHES -INTERPRET DRAWING PER ASME Y14.5-2009 -DIMENSIONS ARE AFTER PLATING, COATING AND HEAT TREATING, BUT BEFORE PAINTING. -REMOVE ALL BURRS AND SHARP CORNERS.	<small>TOLERANCES:</small> X = ± .1 XX = ± .02 XXX = ± .005 ANGLES = ± 1° FINISH: 125/	<small>WEIGHT (lbs)</small> <small>DWN</small> <small>DATE</small> <small>THIRD ANGLE PROJECTION</small> <small>DO NOT SCALE DRAWING</small> <small>INCH</small> <small>SCALE: 2:3 SHEET 1 OF 1</small>	<small>TITLE</small> MT08-N-BP <small>DWG NO</small> MT08-N-BP	<small>SIZE</small> D <small>REV</small>
	<small>WANNER ENGINEERING, INC.</small> 1204 CHESTNUT AVENUE MINNEAPOLIS, MN 55403			<small>SCALE: 2:3 SHEET 1 OF 1</small>	<small>REV</small>