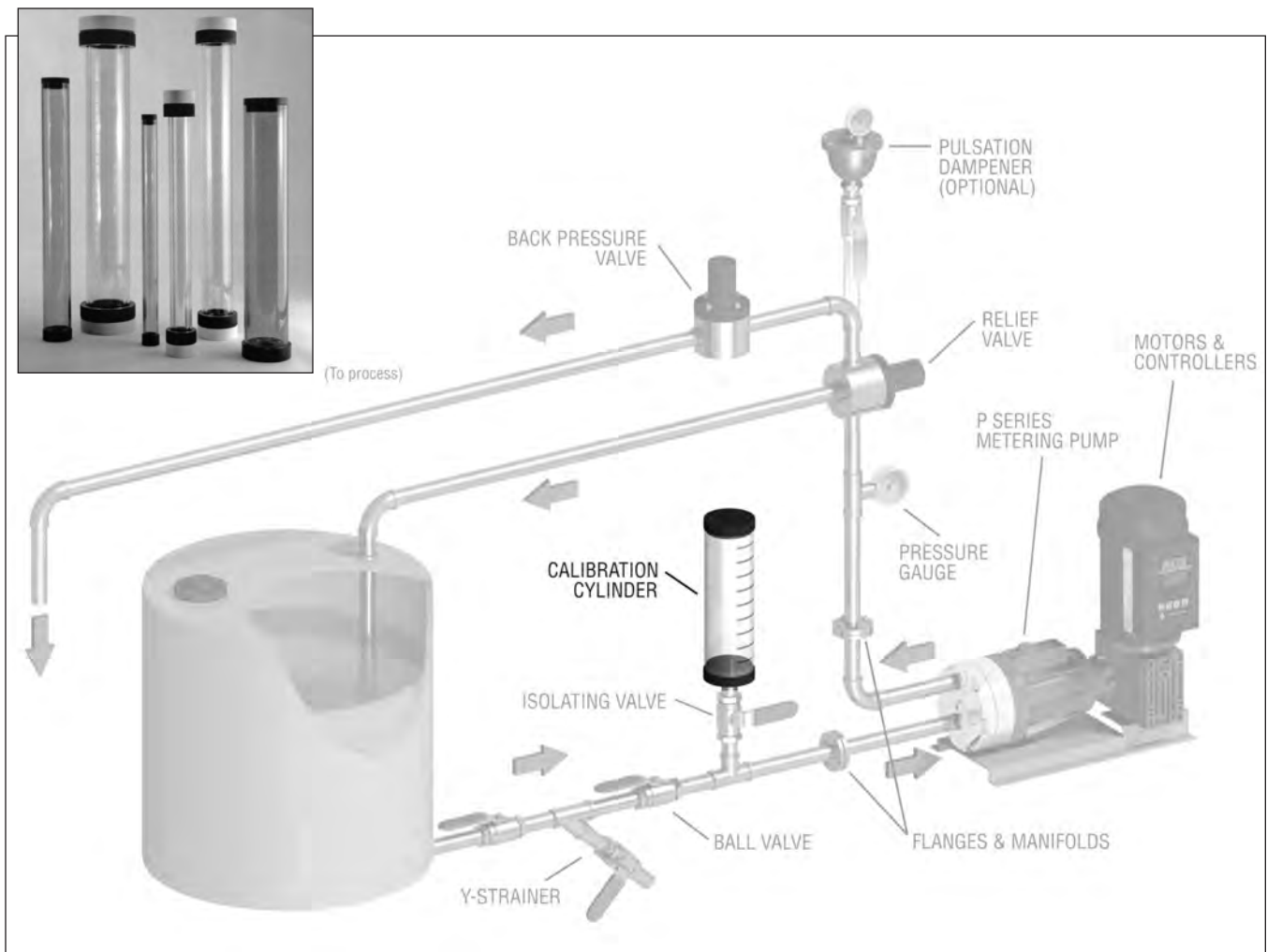


Hydra·Cell[®]

METERING SOLUTIONS™

Selection Guide for P Series Pump Accessories & Options



Calibration Cylinders

The calibration cylinder verifies the flow rate of your Hydra-Cell P Series pump, providing a visual indicator that your system is operating within the required parameters for performance and accuracy.

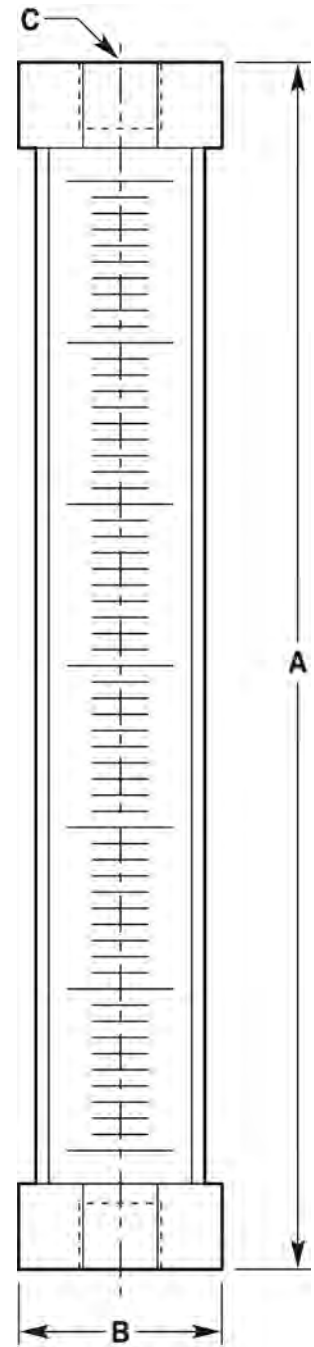
Available in PVC and glass, calibration cylinders are selected based on cylinder capacity needed (GPH or LPH) as determined by the maximum shaft RPM of your pump. Models are available for both NPT and BSTP ports.

Calibration Cylinders Selection Process

1. Size the appropriate P Series pump to the application (refer to pump specifications for complete information).
2. Use the application RPM to select the appropriate cylinder from the chart below.

Cylinder Size				
mL	200	1000	2000	10000
Maximum Cylinder Capacity				
GPH	6.4	32	64	320
LPH	24	120	240	1200
Pump Model	Maximum Pump Shaft RPM			
P100	200	1000	1750	-
P200	75	300	600	1750
P300	75	300	600	1750
P400	30	110	210	1000
P500	-	60	115	600
P600	-	30	60	275

Port C	Cylinder Size (mL)	Part Number		Dimensions - in (mm)			
		NPT Ports	BSPT Ports	A		B	
PVC Cylinders							
1/2"	200	111-001	111-001-B	19.0	(482.6)	1.5	(38.1)
3/4"	1000	111-003	111-003-B	22.0	(558.8)	2.5	(63.5)
1"	2000	111-004	111-004-B	20.0	(508.0)	3.7	(94.0)
2"	10000	111-006	111-006-B	26.0	(660.4)	7.25	(184.2)
Glass Cylinders							
1/2"	200	111-011	111-011-B	21.0	(533.4)	2.5	(63.5)
3/4"	1000	111-013	111-013-B	27.0	(685.8)	3.5	(88.9)
1"	2000	111-014	111-014-B	27.0	(685.8)	5.0	(127.0)



Wanner Engineering, Inc.

1204 Chestnut Avenue
Minneapolis, MN 55403 USA
Tel: (612) 332-5681 • FAX: (612) 332-6937
Toll Free FAX (USA only) (800) 332-6812
Email: sales@wannereng.com
www.hydra-cell.com

Wanner International Ltd.

Units 8 & 9 Fleet Business Park
Sandy Lane, Church Crookham,
Hampshire GU52 8BF England
Tel: +44 (0) 1252 816847
FAX Tel: +44 (0) 1252 629242
Email: sales@wannerint.com
www.wannerint.com

Wanner Pumps Ltd.

Flat A, 21 F
Chatham Commercial Building
399 Chatham Road North
Hung Hom, Kowloon, Hong Kong
Tel: (852) 3428-6534
FAX: (852) 3188-9145
Email: sales@wannerpumps.com