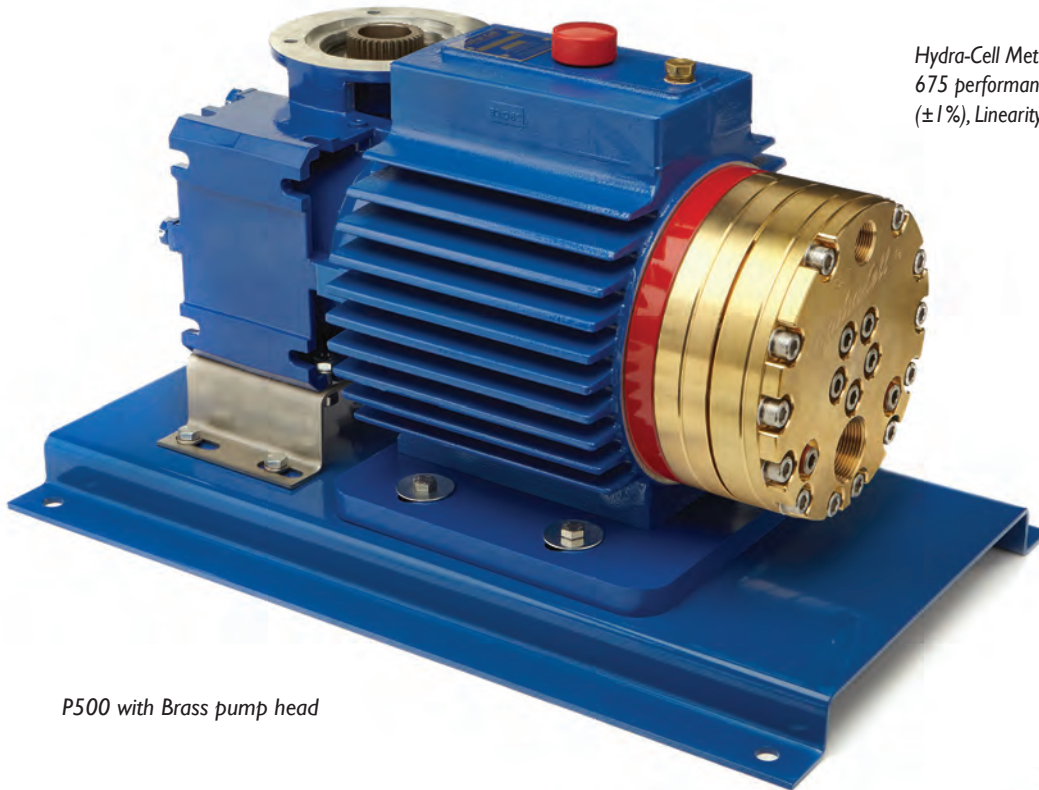


Hydra·Cell[®]

METERING SOLUTIONS™

P500 Series

Maximum Flow Rate: 1243.5 lph
Maximum Pressure: 2500 psi (172 bar) for Metallic Pump Heads
350 psi (24 bar) for Non-metallic Pump Heads

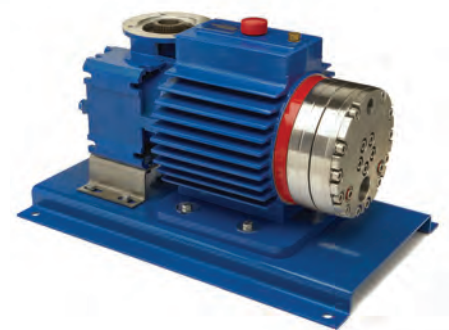


P500 with Brass pump head

Hydra-Cell Metering Solutions pumps meet or exceed API 675 performance standards for Steady-State Accuracy ($\pm 1\%$), Linearity ($\pm 3\%$), and Repeatability ($\pm 3\%$).

Metering Pumps with “Pulse-Free” Linear Flow

- Handles a wide range of fluids from clear water to thick slurries
- Electronic flow control increases accuracy and reliability
- Smaller footprint saves valuable space
- One pump covers a wide range of flows and pressures - reducing inventory requirements with fast, simple field conversion
- Duplexing option doubles capacity and equipment savings
- Hydraulically-actuated, balanced diaphragms provide superior performance across entire pressure range
- Rugged construction with a variety of affordable choices for liquid end, diaphragm and check valve materials
- Seal-less design means no seals, cups, or packing to leak or replace
- A replenishment valve in every piston assembly ensures optimum actuating oil on every stroke for continuous accuracy



P500 with Stainless Steel pump head

Performance Maximum Estimated Flow at Designated Pressure

7 bar	Metallic Pump Heads Only (lph)			Pump rpm	Gear Ratio	Motor rpm
	34 bar	103 bar	172 bar			
55.14	53.50	49.66	45.641	25	60:1	1500
66.16	64.44	60.28	55.85	30	50:1	
83.25	81.16	76.32	71.50	37.5	40:1	
111.26	108.75	102.92	97.16	50	30:1	
133.66	130.82	124.19	117.69	60	25:1	
167.27	163.93	156.11	148.49	75	20:1	
223.28	219.11	209.29	199.81	100	15:1	
335.31	329.47	315.67	302.45	150	10:1	
447.33	439.83	422.05	405.10	200	7.5:1	
671.4	660.6	634.8	610.4	300	5:1	
895.4	881.3	847.6	815.7	400	7.5:1	3000
1343.5	1322.7	1273.1	1226.3	600	5:1	

Required Motor kW

0.18	0.37	0.55	0.75	1.1
1.5	2.2	3.7	5.5	7.5

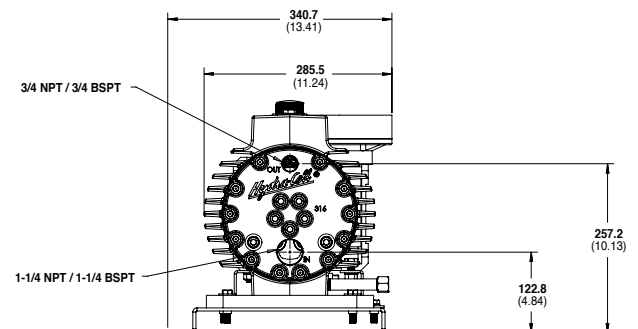
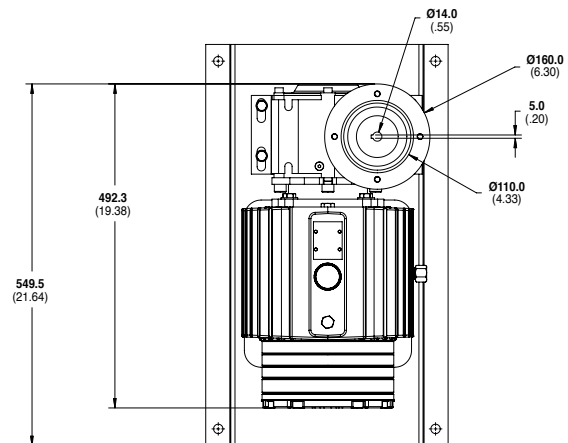
Pump Data

Diaphragms per Liquid End	5
Flow Control	Electronic variable speed drive
Maximum Discharge Pressure	
Metallic Heads:	2500 psi (172 bar)
Maximum Inlet Pressure	500 psi (34 bar)
Maximum Operating Temperature	
Metallic Heads:	250 °F (121 °C)*
Inlet Port	1-1/4 inch NPT or BSPT
Discharge Port	3/4 inch NPT or BSPT
Weight (less motor)**	
Metallic Heads:	192.1 lbs (88.5 kg)
Dimensions (less motor)**	
Metallic Heads:	14.5" W x 24.0" D x 13.9" H (368.3 mm W x 609.6 mm D x 353.1 mm H)

* Consult factory for correct component selection for temperatures from 160°F (71°C) to 250°F (121°C).

** For 71 B5 motor frame only. Consult factory for other motor frame sizes.

Representative Drawings mm (Inches)



Metallic Pump Heads

How to Order

A complete pump order number contains 13 digits based on the specified pump materials listed below.

1	2	3	4	5	6	7	8	9	10	11	12	13
P	5	0	0									

Pump Model Size (Digits 1-4)

P500 For all P500 Pumps (Non Kel-Cell)

Pump Version (Digit 5)

N NPT Ports (NEMA motors only)
M BSPT Ports (IEC motors only)
X ATEX BSPT Ports (IEC motors only)

Pump Head / Retainer Material (Digit 6)

B Brass / Hastelloy C
S 316L Stainless Steel / Hastelloy C
T Hastelloy C / Hastelloy C

Diaphragm & O-ring Material / Oil (Digit 7)▲

A Aflas / PTFE O-rings (Synthetic oil)
X FKM (Synthetic oil)
T Buna-N (Synthetic oil)

▲ See price list for different actuating oils available with these materials.

Check Valve Material (Digits 8-9)

(Valve Spring / Valve Seat / Valve)

SS Elgiloy / Nitronic 50 / Nitronic 50
TT Hastelloy C / Hastelloy C / Hastelloy C
SD Elgiloy / Tungsten Carbide / Tungsten Carbide
TD Hastelloy C / Tungsten Carbide / Tungsten Carbide

Gearbox Ratio (Digits 10-12) IEC Motors

A60	60:1	(71 B5 Motor Frame)
B60	60:1	(80 B5 Motor Frame)
A50	50:1	(71 B5 Motor Frame)
B50	50:1	(80 B5 Motor Frame)
A40	40:1	(71 B5 Motor Frame)
B40	40:1	(80 B5 Motor Frame)
A30	30:1	(71 B5 Motor Frame)
B30	30:1	(80 B5 Motor Frame)
B25	25:1	(80 B5 Motor Frame)
C25	25:1	(90 B5 Motor Frame)
B20	20:1	(80 B5 Motor Frame)
C20	20:1	(90 B5 Motor Frame)
B15	15:1	(80 B5 Motor Frame)
C15	15:1	(90 B5 Motor Frame)
B10	10:1	(80 B5 Motor Frame)
C10	10:1	(90 B5 Motor Frame)
D10	10:1	(110/112 B14 Motor Frame)
B07	7.5:1	(80 B5 Motor Frame)
C07	7.5:1	(90 B5 Motor Frame)
D07	7.5:1	(110/112 B14 Motor Frame)
B05	5:1	(80 B5 Motor Frame)
C05	5:1	(90 B5 Motor Frame)
D05	5:1	(110/112 B14 Motor Frame)

Base Plate (Digit 13)

H Carbon Steel (Epoxy painted) size 75

Accessories, Options & Services

Consult the Hydra-Cell Metering Solutions catalog for complete details about available accessories and options as well as special services.

- Manifolds and Flanges
- Multiplexing Capability
- Different Gearbox Ratios
- Oil Systems and Kits
- Actuating Oils
- Motors (Standard/Explosion-proof)
- Controllers
- Control Freak Touch-screen Metering Controller
- SmartDrive Motor-Controller
- Calibration Cylinders
- Back Pressure Valves
- Pressure Relief Valves
- Pulsation Dampeners
- Demonstration (Cutaway) Units
- Testing Services
- System Components, Priming Kits and Plugs
- Replacement Part Kits and Tool Kits
- Customization Services



Hydra-Cell Metering Solutions demonstration unit complete with the Control Freak™ touch-screen metering controller.

Hydra•Cell[®]

METERING SOLUTIONS™

Wanner Engineering, Inc.

World Headquarters & Manufacturing

Wanner Engineering, Inc.
1204 Chestnut Avenue,
Minneapolis, MN 55403 USA
Phone: 612-332-5681 • Fax: 612-332-6937
Toll-Free Fax (USA): 800-332-6812
Email: sales@wannereng.com
www.Hydra-Cell.com

Regional Office

207 US Highway 281
Wichita Falls, TX 76310 USA
Phone: 940-322-7111
Toll-Free: 800-234-1384
Email: sales@wannereng.com
www.Hydra-Cell.com

Latin American Office

R. Álvaro Anes, 150 Bairro Campestre
Santo André/São Paulo, Brazil - CEP 09070-030
Phone: +55 (11) 4081-7098
Email: mmagoni@wannereng.com
www.Hydra-Cell.com

Wanner International Ltd.

Wanner International, Ltd.
Hampshire - United Kingdom
Phone: +44 (0) 1252 816847
Email: sales@wannerint.com
www.Hydra-Cell.eu

Wanner Pumps Ltd.

Wanner Pumps, Ltd.
Kowloon - Hong Kong
Phone: +852 3428 6534
Email: sales@wannerpumps.com
www.WannerPumps.com

Shanghai - China
Phone: +86-21-6876 3700
Email: sales@wannerpumps.com
www.WannerPumps.com