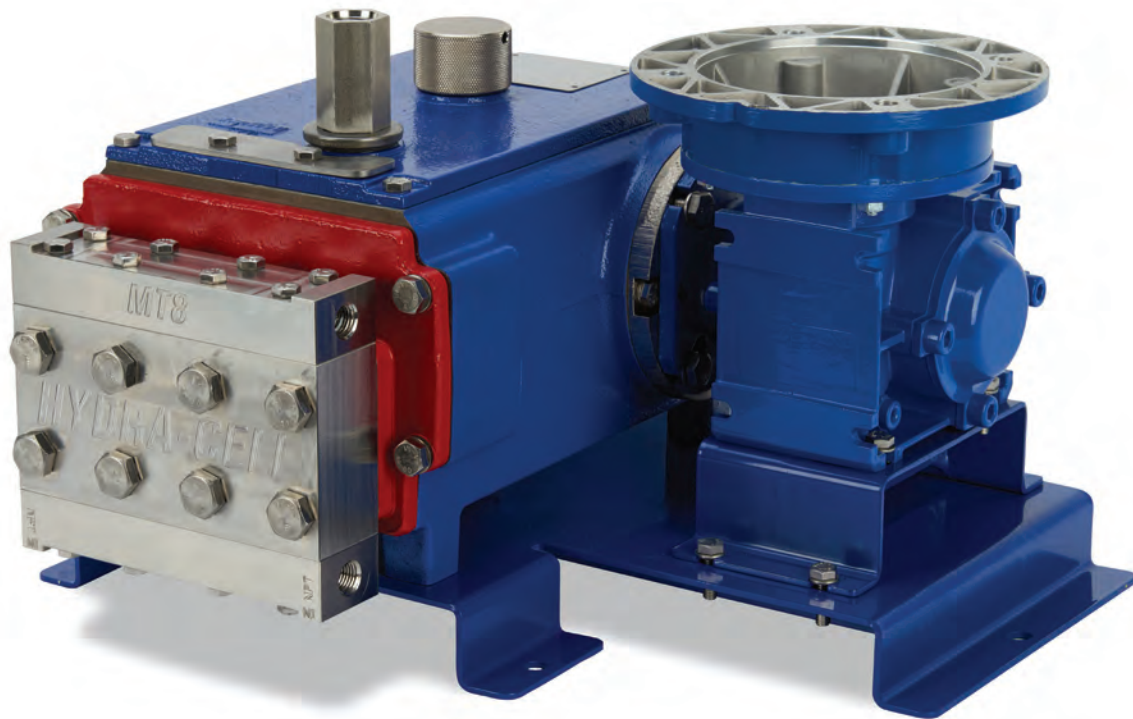


# Hydra·Cell<sup>®</sup>

METERING SOLUTIONS™

## MT8 Pump

Maximum Flow Rate: 8.00 gph (30.28 lph)  
Minimum Flow Rate: 0.06 gph (0.227 lph)  
Maximum Pressure: 3500 psi (241 bar)



MT8 with Stainless Steel pump head

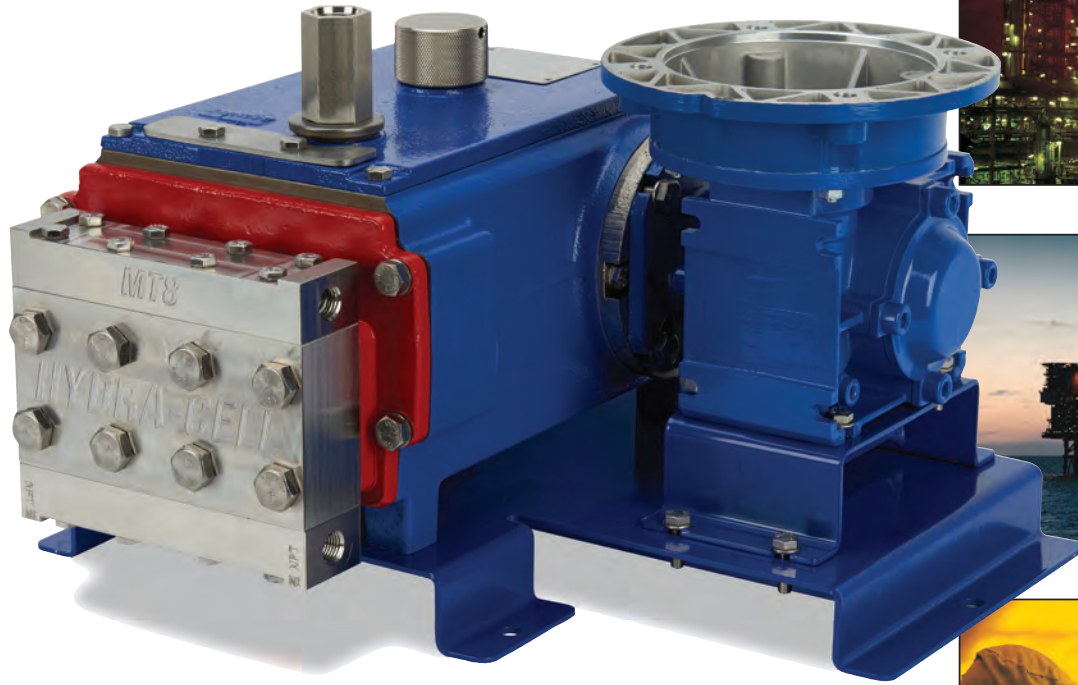
Hydra-Cell Metering Solutions pumps exceed API 675 performance standards for Steady-State Accuracy ( $\pm 1\%$ ), Linearity ( $\pm 3\%$ ), and Repeatability ( $\pm 3\%$ ).

## Triplex Metering Pump with “Pulse-Free” Linear Flow

- Multiple-diaphragm design provides virtually pulse-free, linear flow without the need for expensive pulsation dampeners.
- Designed for low flow rates at high pressures.
- Can run dry indefinitely.
- Will operate without damage to the pump in the event of a blocked suction line.
- Handles a variety of processing fluids.
- Electronic flow control increases accuracy and reliability.
- Available with manual flow adjustment that can be used in hazardous areas.
- The integral relief valve protects the pump from over pressurization on the discharge side.
- One pump covers a wide range of flows and pressures - reducing inventory requirements with fast, simple field conversion.
- Duplexing option doubles capacity and equipment savings.
- Hydraulically-actuated, balanced diaphragms provide superior performance across the entire pressure range.
- Seal-less design means no seals, cups, or packing to leak or replace.
- The replenishment valve system in every piston ensures optimum actuating oil on every stroke for continuous accuracy and protects the pump from damage in the event of a blocked suction line.
- Rugged construction.
- Smaller footprint saves valuable space.

# MT8 Pump

## Hydra-Cell<sup>®</sup> MT8 Triplex Metering Pump



Designed for low flow rates at high pressures, the groundbreaking MT8 metering pump is ideal for a variety of applications:

- Chemical Metering and Injection
- Food and Beverage Processing
- High-pressure Chemical Reaction
- High-pressure Process Chromatography
- Oil and Gas (offshore and onshore)
- Personal Care Product Manufacturing
- Pharmaceutical Manufacturing
- Plastics Processing
- Polyurethane Foam Production
- Power Plant/Boiler Feed
- Water and Wastewater Treatment



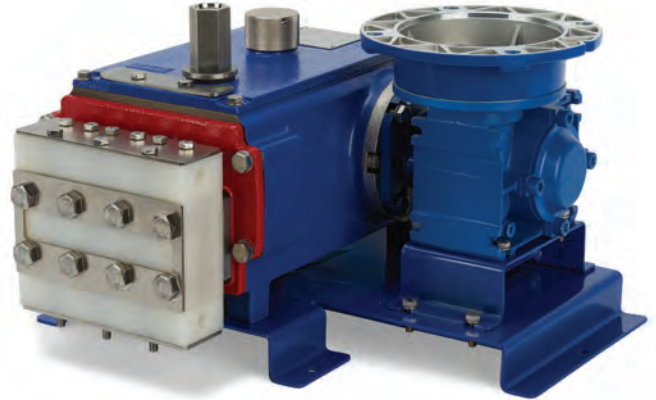


# MT8 Pump

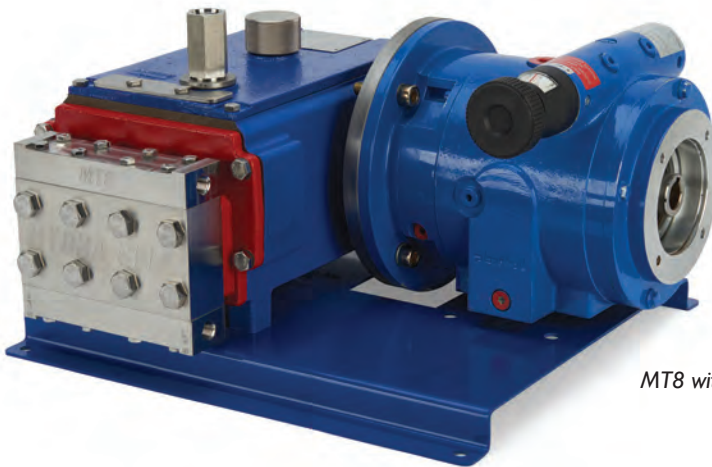
## MT8 Materials and Configurations



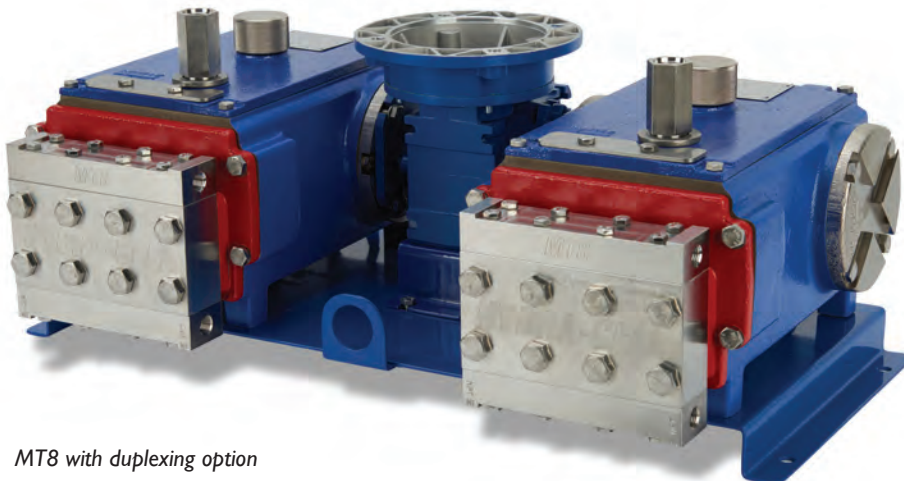
*MT8 with PVC pump head*



*MT8 with PVDF pump head*



*MT8 with manual variable speed gearbox*



*MT8 with duplexing option*

Two MT8 pumps can be run with only one gearbox and one motor. This “duplexing” option doubles capacity with a smaller footprint and lower investment cost than conventional metering pumps.

# MT8 Pump

## Performance Maximum Flow at Designated Pressure

500 psi	All Pumps (gph)			Pump rpm	Gear Ratio	Motor rpm
	1500 psi	2500 psi	3500 psi			
0.473	0.429	0.387	0.349	18	100:1	1800
0.587	0.532	0.479	0.428	22.5	80:1	
0.776	0.703	0.635	0.567	30	60:1	
0.961	0.872	0.795	0.714	36	50:1	
1.177	1.089	0.985	0.888	45	40:1	
1.593	1.437	1.309	1.176	60	30:1	
2.312	2.105	1.924	1.727	90	20:1	
4.657	4.257	3.839	3.430	180	10:1	
6.156	5.556	5.064	4.464	240	7.5:1	
8.000*	8.000*	7.320*	6.530*	360	5:1	

### Required Motor hp

1/2

\* Flow rates above 8 gph are not guaranteed to meet API 675 Performance Standards; therefore, pump rpm should be limited to 317 at 500 psi and 352 at 1500 psi when using a 5:1 gear reducer and 1800 rpm motor. To reach 8 gph at pressures above 1700 psi with the same reducer and motor, the VFD will need to be programmed for operation above 60 Hz.

## Performance Maximum Flow at Designated Pressure

34 bar	All Pumps (lph)			Pump rpm	Gear Ratio	Motor rpm
	103 bar	172 bar	241 bar			
1.492	1.353	1.221	1.101	15	100:1	1500
1.852	1.678	1.511	1.350	18.75	80:1	
2.448	2.218	2.003	1.789	25	60:1	
3.031	2.751	2.508	2.252	30	50:1	
3.713	3.435	3.107	2.801	37.5	40:1	
5.025	4.533	4.129	3.710	50	30:1	
7.293	6.640	6.069	5.448	75	20:1	
14.691	13.429	12.110	10.820	150	10:1	
19.419	17.526	15.974	14.082	200	7.5:1	
28.659*	25.810*	23.091*	20.598*	300	5:1	

### Required Motor kW

0.37

\* Flow rates above 30.28 lph are not guaranteed to meet API 675 Performance Standards. To reach a flow rate of 30.28 lph with a 5:1 gear box and 1500 rpm motor, the VFD will need to be programmed for operation above 50 Hz.

#### Please Note:

Systems vary. The MT8 pump must be calibrated once installed to ensure optimum performance. The API 675 Performance Standard is achievable for flow rates as low as 0.06 gph (or 0.2271 lph). Please contact the factory for assistance.

# MT8 Pump

## Pump Data

Diaphragms per Liquid End	3
Flow Control	Electronic variable speed drive
Maximum Discharge Pressure	
Metallic Heads:	3500 psi (241 bar)
Non-metallic Heads:	350 psi (24 bar)
Maximum Inlet Pressure	
Metallic Heads:	500 psi (34 bar)
Non-metallic Heads:	300 psi (20 bar)
Operating Temperatures (min./max.)	
Metallic Heads:	40 °F (4.4 °C) to 250 °F (121 °C)
Non-metallic Heads:	40 °F (4.4 °C) to 140 °F (60 °C)
<i>Consult factory for temperatures outside this range</i>	
Inlet Port	1/4 inch NPT or BSPT
Discharge Port	1/4 inch NPT or BSPT
Maximum Solids Size	200 microns
Oil Capacity	1.75 US quarts (1.7 liters)
Weight (less motor)	
Metallic Heads:	100 lbs. (45 kg)
Non-metallic Heads:	75 lbs. (34 kg)

## Accessories, Options & Services

Consult Wanner Engineering for complete details about available accessories and options as well as special services.

- Different Gearbox Ratios
- Oil Cooler Systems
- Actuating Oils
- Magnetic Drain Plug
- Motors (Standard/Hazardous-duty)
- Controllers
- Control Freak Touch-screen Metering Controller
- SmartDrive Motor-Controller
- Calibration Cylinders
- Back Pressure Valves
- Pressure Relief Valves
- Testing Services
- System Components, Priming Kits and Plugs
- Replacement Part Kits and Tool Kits
- Pulsation Dampeners
- Customization Services

## “Control Freak” Touch-screen Metering Controller for Sophisticated Local Control



Designed specifically for Hydra-Cell Metering Solutions pumps, Control Freak provides optimum motor speed control based on the desired flow and pressure ratings.

It features an easy-to-use touch-screen display that enables the user to enter the desired flow rate or volume (gallons or liters) and system pressure (psi or bar).

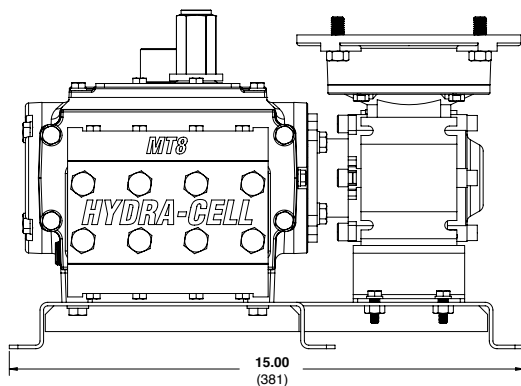
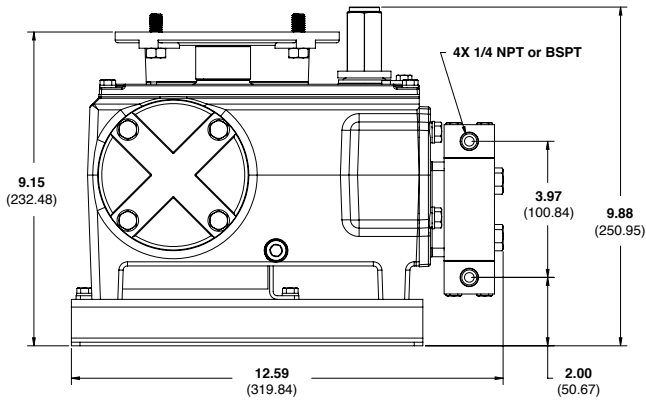
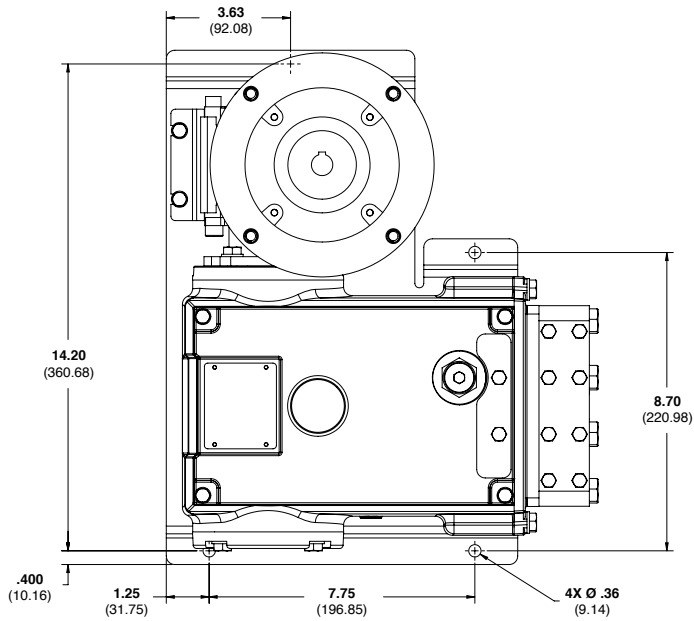
The controller automatically runs the pump manually at the desired flow rate, or volume total/time, or in pre-set batches.

- Enables programming for the flow rate or for totalization of the recent process application as well as the life of the pump.
- Variable Frequency Drive (VFD) available in different hp or kW ratings.
- Option available to control up to six (6) pumps with one Hydra-Cell Control Freak screen.
- Allows up to 10 separate batch set-up screens.
- Built-in calibration mode.

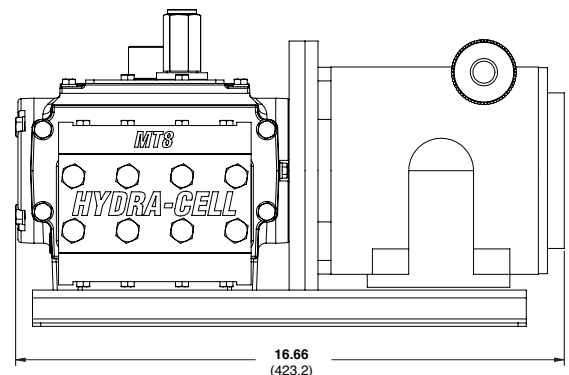
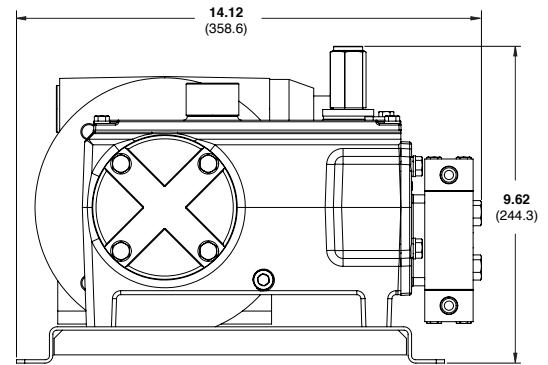
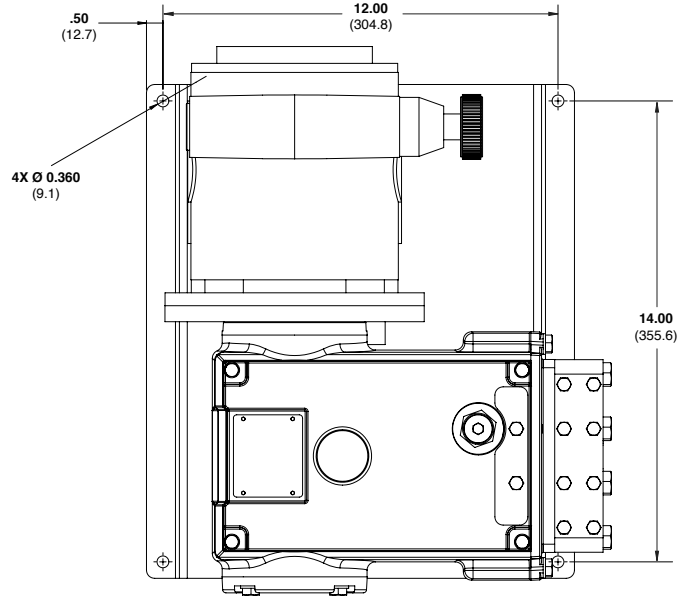
# MT8 Pump

## Representative Drawings Inches (mm)

### Metallic Pump Heads



### Metallic Heads with Manual Adjustment



**Note:** Contact factory for additional drawings of specific models and configurations.

# MT8 Pump

## How to Order

A complete pump order number contains 16 digits based on the specified pump materials listed below.

1	2	3	4	5	6	7	8	9	10	11	12	13	14	15	16
M	T	0	8				J	N							

### Pump Model Size (Digits 1-2)

**MT** Metering Triplex Pumps

### Pump Capacity (Digits 3-4)

**08** 0.06 - 8.00 gph (0.227 - 30.28 lph)

### Pump Version (Digit 5)

**N** NPT Ports

**M** BSPT Ports

### Pump Head (Digits 6-7)

**SN** 316 SST

**TN** Hastelloy C

**AN** Alloy 20

**VN** PVC

**MN** PVDF

### Diaphragm (Digit 8)

**J** PTFE

### Leak Detection Style (Digit 9)

**N** No leak detection

### CV Ball/Seat (Digits 10-11)

**SS** 316 SST / 316 SST

**TT** Hastelloy C / Hastelloy C

**AA** Alloy 20 / Alloy 20

### Hydraulic End Oil (Digit 12)

**G** 5W30 (Synthetic oil)

**K** Food-contact oil

### Motor Flange Size (Digit 13)

**A** NEMA 56C

**B** NEMA 143/145TC

**C** IEC 63 B5

**D** IEC 71 B5

**E** IEC 80 B5

**H** NEMA 56C (MA only)

**L** IEC 71 B5 (MA or MX only)

**M** IEC 80 B5 (MA or MX only)

### Gearbox Ratio (Digits 14-15)

**00** 100:1

**80** 80:1

**60** 60:1

**50** 50:1

**40** 40:1

**30** 30:1

**20** 20:1

**10** 10:1

**07** 7.5:1

**05** 5:1

**MA** Manual adjustment  
(specify H, L or M flange for this option)

**MX** Manual adjustment ATEX  
(specify L or M flange for this option)

### Baseplate (Digit 16)

**C** Carbon Steel (Epoxy painted)

**S** SST

**M** Carbon Steel (Epoxy painted) Manual adjustment

**T** SST Manual adjustment

# Hydra·Cell<sup>®</sup>

## METERING SOLUTIONS™

### **Wanner Engineering, Inc.**

#### **World Headquarters & Manufacturing**

Wanner Engineering, Inc.  
1204 Chestnut Avenue  
Minneapolis, MN 55403 USA  
Phone: 612-332-5681 • Fax: 612-332-6937  
Toll-Free Fax (USA): 800-332-6812  
Email: [sales@wannereng.com](mailto:sales@wannereng.com)  
[www.Hydra-Cell.com](http://www.Hydra-Cell.com)

#### **Regional Office**

207 US Highway 281  
Wichita Falls, TX 76310 USA  
Phone: 940-322-7111  
Toll-Free: 800-234-1384  
Email: [sales@wannereng.com](mailto:sales@wannereng.com)  
[www.Hydra-Cell.com](http://www.Hydra-Cell.com)

#### **Latin American Office**

R. Álvaro Anes, 150 Bairro Campestre  
Santo André/São Paulo, Brazil - CEP 09070-030  
Phone: +55 (11) 4081-7098  
Email: [mmagoni@wannereng.com](mailto:mmagoni@wannereng.com)  
[www.Hydra-Cell.com](http://www.Hydra-Cell.com)

### **Wanner International Ltd.**

Wanner International, Ltd.  
Hampshire - United Kingdom  
Phone: +44 (0) 1252 816847  
Email: [sales@wannerint.com](mailto:sales@wannerint.com)  
[www.Hydra-Cell.eu](http://www.Hydra-Cell.eu)

### **Wanner Pumps Ltd.**

Wanner Pumps, Ltd.  
Kowloon - Hong Kong  
Phone: +852 3428 6534  
Email: [sales@wannerpumps.com](mailto:sales@wannerpumps.com)  
[www.WannerPumps.com](http://www.WannerPumps.com)

Shanghai - China  
Phone: +86-21-6876 3700  
Email: [sales@wannerpumps.com](mailto:sales@wannerpumps.com)  
[www.WannerPumps.com](http://www.WannerPumps.com)