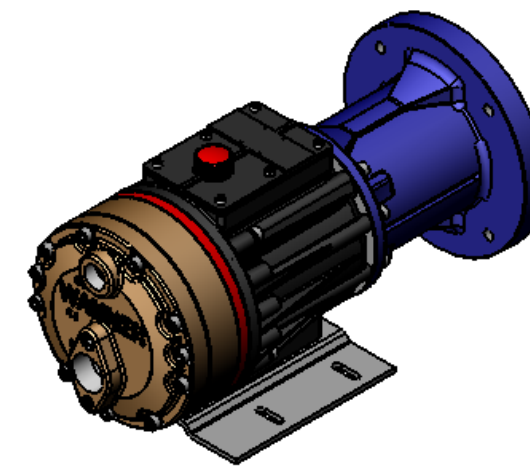
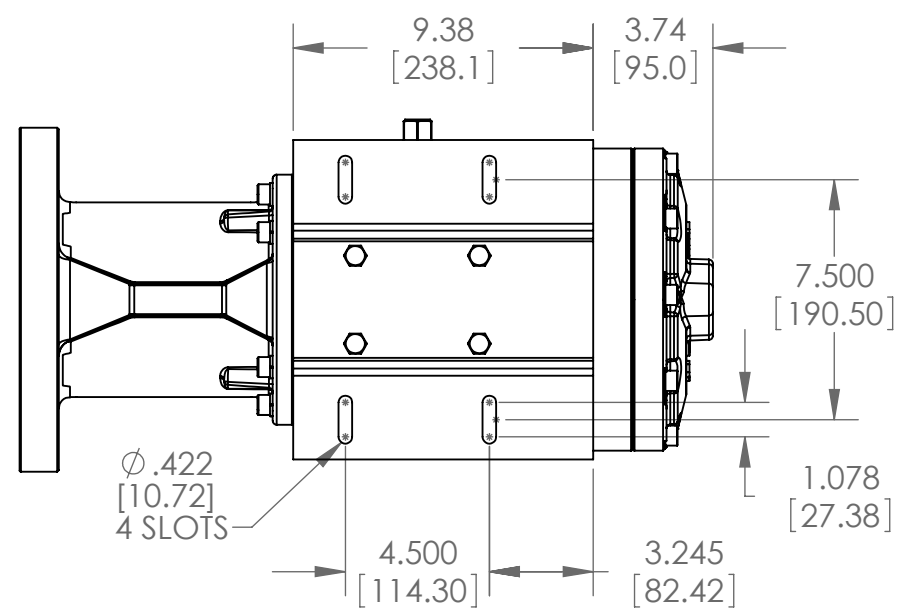
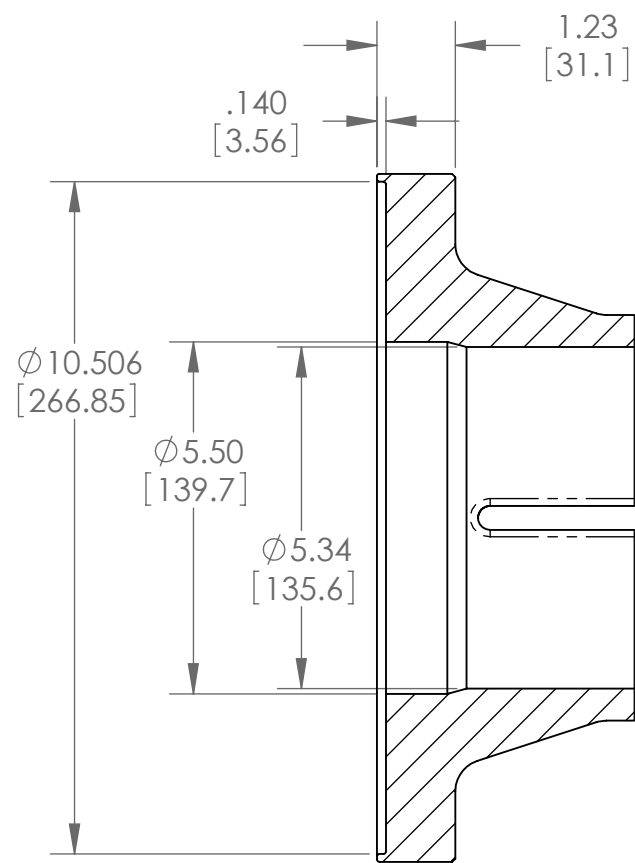
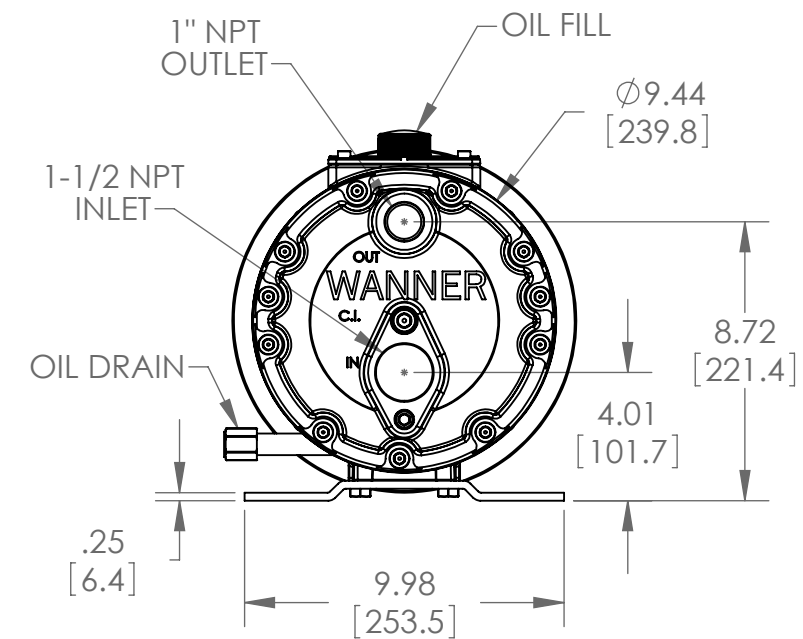
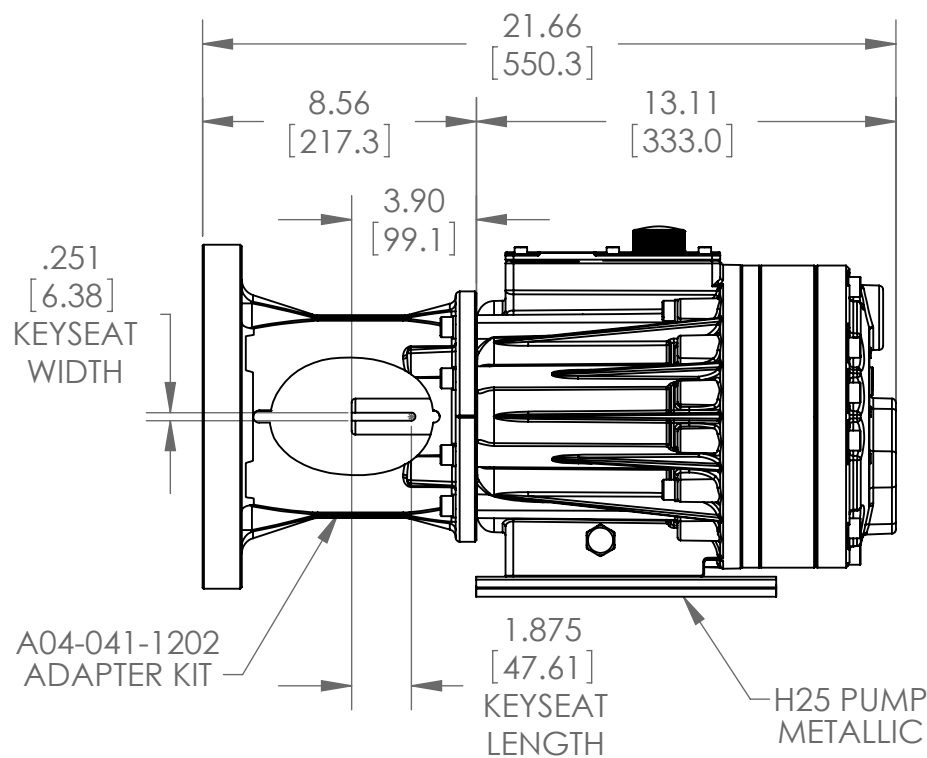
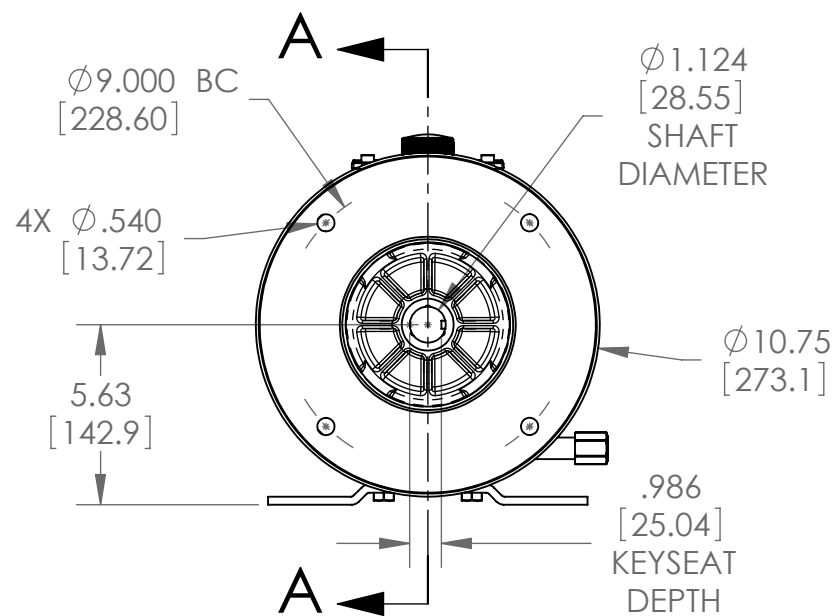


DWG NO
H25-M-1202-OD



OUTLINE DRAWING
ALL DIMENSIONS ARE REFERENCE

PROPRIETARY STATEMENT
This document contains confidential and proprietary information and is not to be reproduced or the information contained therein disclosed to others without consent, in writing, from WANNER ENGINEERING INC.

DWN	08/06/08	MLS
CHK'D		
APP'D		
USED ON		
NEXT ASSY		
SHEET 1 OF 1		
SCALE: 1:6	FORM	BBLK

WANNER ENGINEERING INC
1204 CHESTNUT AVE. MPLS, MN 55403

TITLE
OUTLINE DWG, H25 METALLIC A04-041-1202

DWG NO
H25-M-1202-OD

SIZE
B
REV.
A