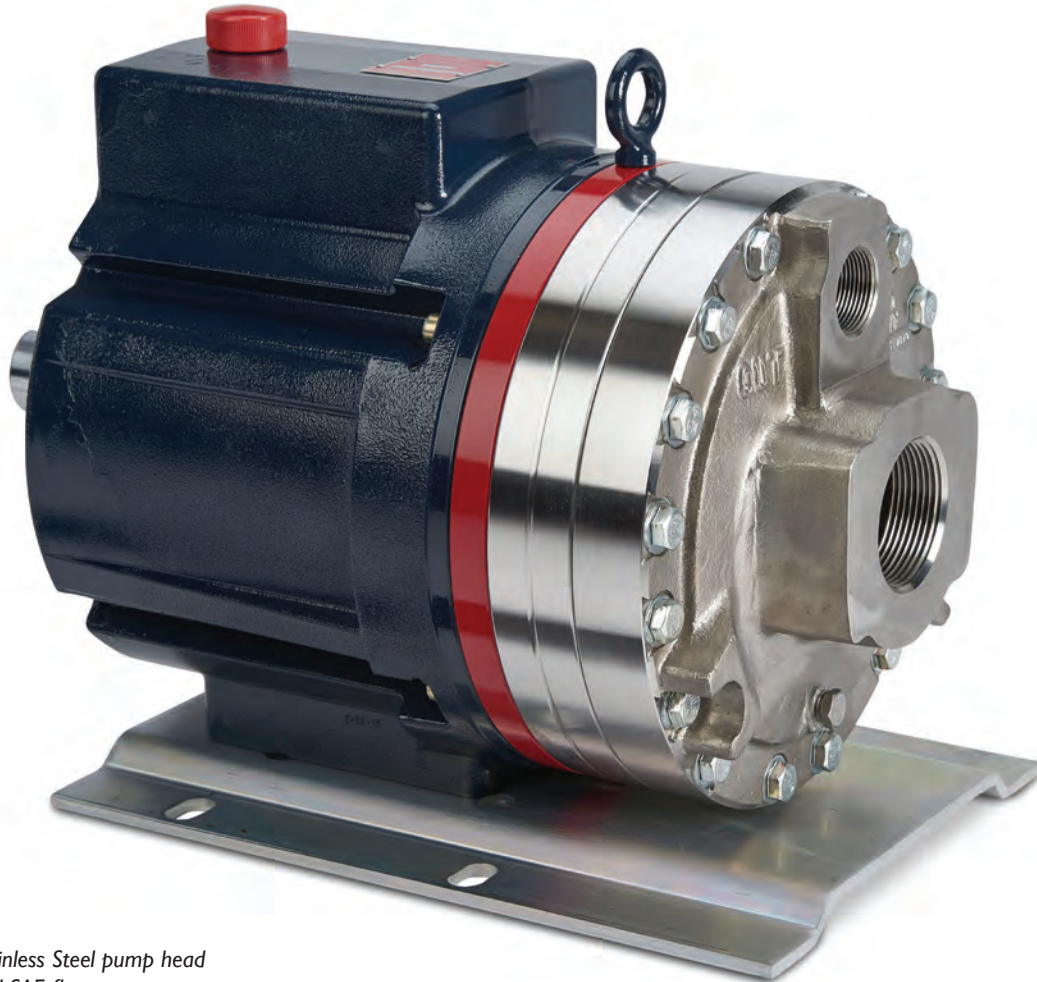


## G35 Series

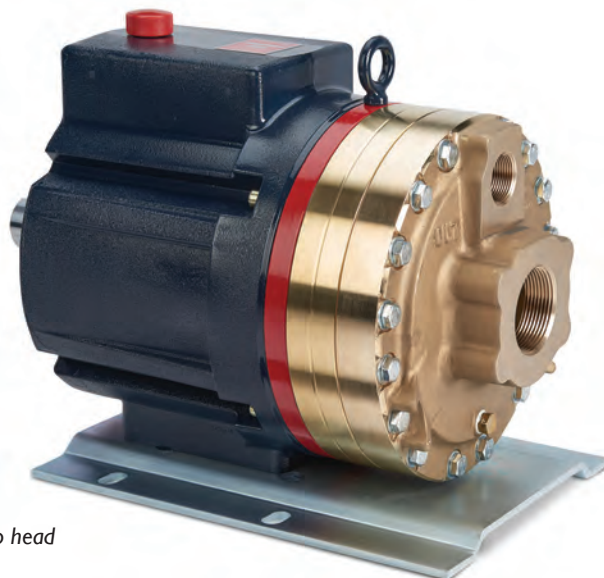
---

Maximum Flow Rate: 36.5 gpm (138 l/min)

Maximum Pressure: 1500 psi (103 bar) for Metallic Pump Heads



*G35 with Stainless Steel pump head  
and SAE flanges*



*G35 with Brass pump head*

# G35 Series Performance

## Capacities

### Flow

Model	Max. Input rpm	Max. Flow	
		@ 1200 psi (83 bar) gpm	l/min
G35-X	1050	36.5	138
G35-E	1150	34.0	129
<b>@ 1500 psi (103 bar)</b>			
G35-X	700	23.1	87.5

### Pressure

#### Maximum Inlet Pressure

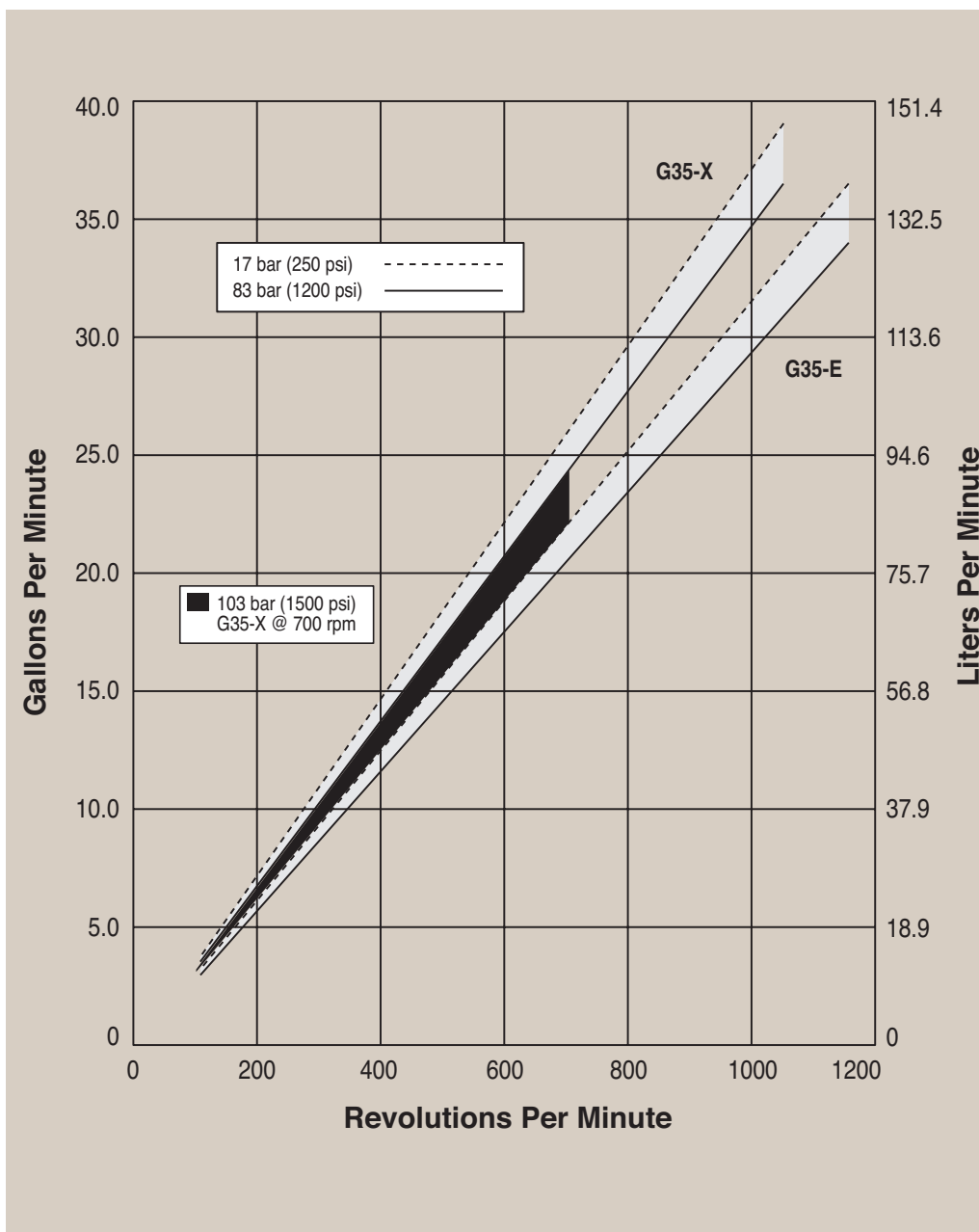
250 psi (17 bar) with 1500 psi (103 bar) maximum discharge pressure  
 500 psi (34 bar) with 1200 psi (83 bar) maximum discharge pressure

#### Maximum Discharge Pressure

1200 psi (83 bar) @ 1150 rpm max.  
 1500 psi (103 bar) @ 700 rpm max.

Performance and specification ratings apply to G35 configurations unless specifically noted otherwise.

## Maximum Flow at Designated Pressure



# G35 Series Specifications

## Flow Capacities @ 83 bar (1200 psi) 6-pole Motor @ 50 Hz

Model	rpm	gpm	l/min
G35-X	960	33.50	127.00
G35-E	960	29.00	110.00

## Flow Capacities @ 83 bar (1200 psi) 8-pole Motor @ 50 Hz

Model	rpm	gpm	l/min
G35-X	730	25.50	96.60
G35-E	730	22.10	83.60

## Delivery @ 83 bar (1200 psi)

Model	gal/rev	liters/rev
G35-X	0.0347	0.1314
G35-E	0.0296	0.1120

## Delivery @ 103 bar 1500 psi)

Model	gal/rev	liters/rev
G35-X	0.0330	0.1250

## Maximum Discharge Pressure

Metallc Heads: 103 bar (1500 psi) @ 700 rpm

**Maximum Inlet Pressure** 17 bar (250 psi) with 103 bar (1500 psi) maximum discharge pressure  
34 bar (500 psi) with 83 bar (1200 psi) maximum discharge pressure

## Maximum Operating Temperature

Metallc Heads: 121 °C (250 °F) - Consult factory for correct component selection for temperatures from 71 °C (160 °F) to 121 °C (250 °F).

**Maximum Solids Size** 800 microns

**Inlet Port** 2-1/2 inch BSPT  
2-1/2 inch NPT  
150lb or 600lb ANSI RF flange  
3 inch SAE flange

**Discharge Port** 1-1/4 inch BSPT  
1-1/4 inch NPT  
600lb or 1500lb ANSI RF flange  
1-1/4 inch SAE flange

**Shaft Diameter** 50.8 mm (2 inch)

**Shaft Rotation** Reverse (bi-directional)

**Bearings** Tapered roller bearings

**Oil Capacity** 7.3 liters (7.75 US quarts) - See pages 96 and 97 for oil selection and specification.

## Weight

Metallc Heads: 116.6 kg (257 lbs.)

## Calculating Required Power

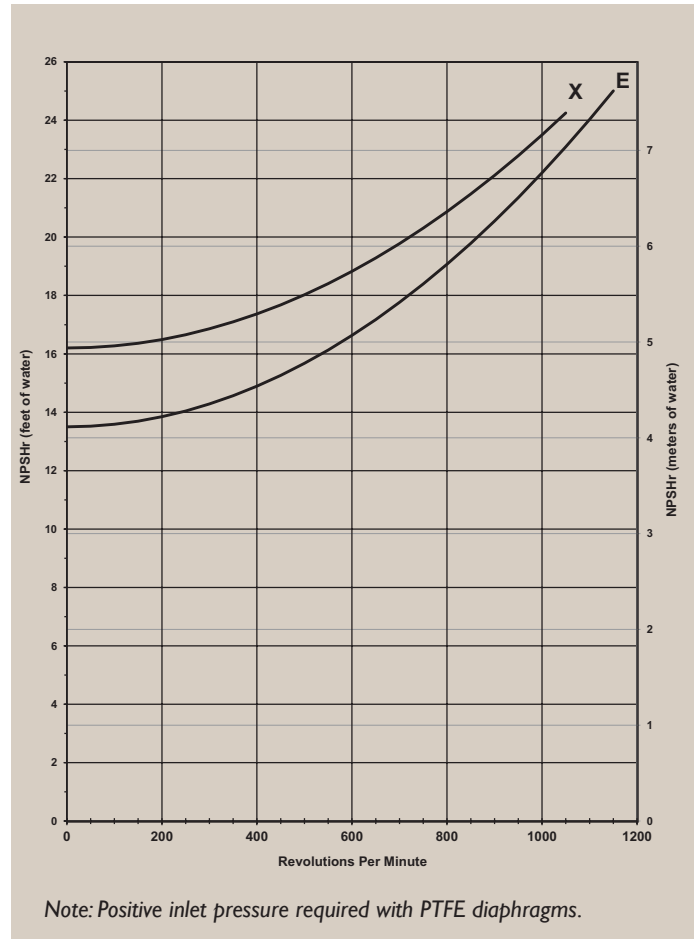
$$\frac{100 \times \text{rpm}}{63,000} + \frac{\text{gpm} \times \text{psi}}{1,460} = \text{electric motor hp}$$

$$\frac{100 \times \text{rpm}}{84,428} + \frac{\text{l/min} \times \text{bar}}{511} = \text{electric motor kW}$$

See page 164 for calculating pulley size.

When using a variable frequency drive (VFD) calculate the hp or kW at minimum and maximum pump speed to ensure the correct hp or kW motor is selected. Note that motor manufacturers typically de-rate the service factor to 1.0 when operating with a VFD.

## Net Positive Suction Head (NPSHr)



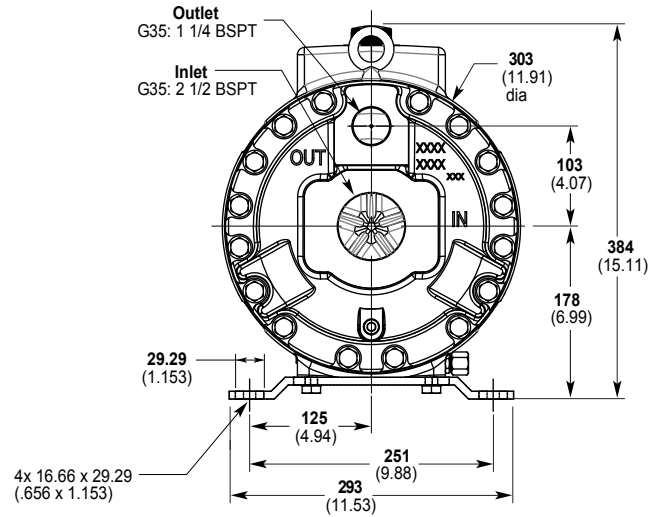
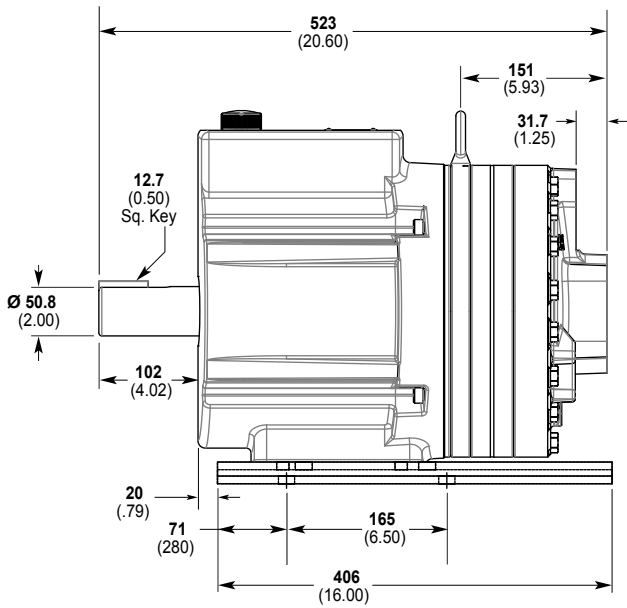
## Self-priming:

Each Hydra-Cell pump has different lift capability depending on model size, cam angle, speed, and fluid characteristics. To ensure that your specific lift characteristics are met, refer to the inlet calculations regarding friction, and acceleration head losses in your Hydra-Cell Installation & Service Manual. Compare those calculations to the NPSHr curves above.

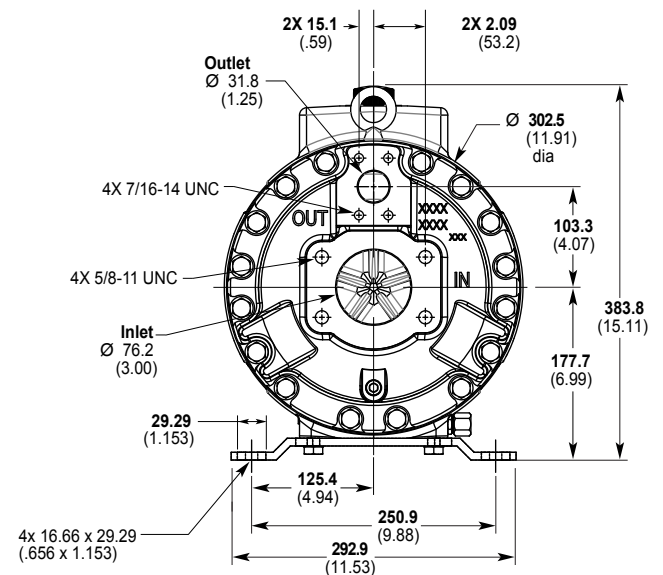
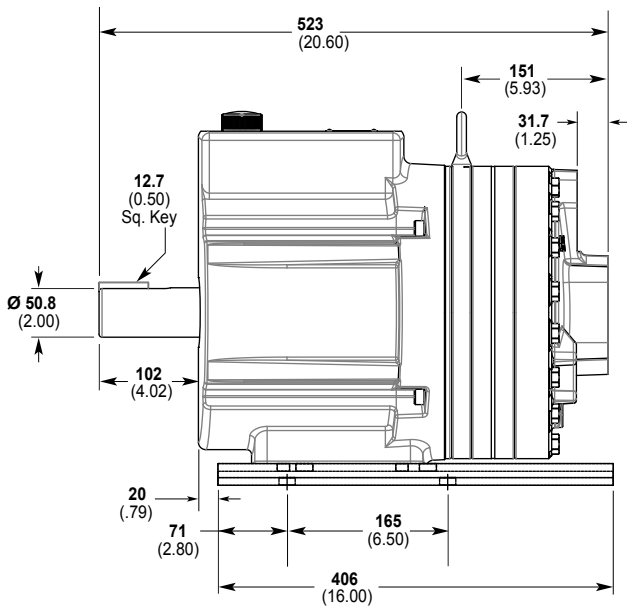
For technical assistance in pump selection, see Frequently Asked Questions on page 162, Design Considerations on page 163, and Installation Guidelines on pages 164-165.

# G35 Series Representative Drawings

## G35 Models with BSPT Inlet/Outlet Ports mm (Inches)



## G35 Models with SAE Flange Inlet/Outlet Ports mm (Inches)

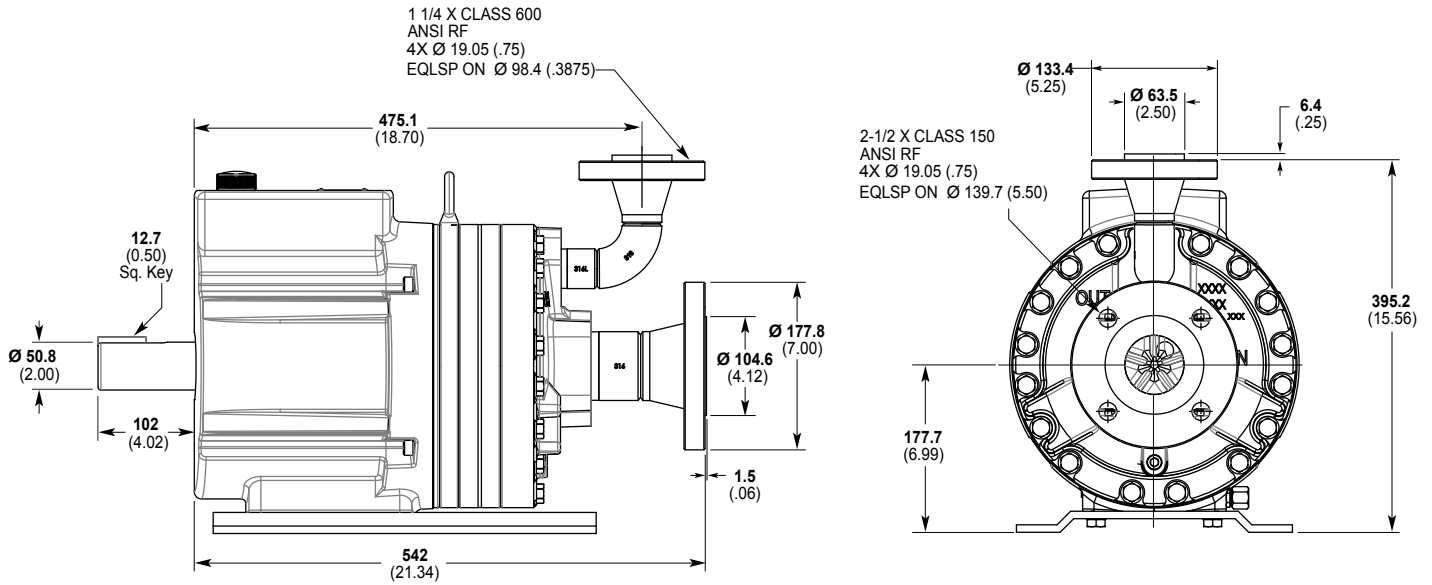


**Note:** Contact factory for additional drawings of specific models and configurations.



# G35 Series Representative Drawings/Valves/Skids

## G35 Models with ANSI Flange Inlet/Outlet Ports mm (Inches)



### Valve Selection

A seal-less C64 Pressure Regulating Valve is recommended for Hydra-Cell G35 pumping systems, especially for high-pressure requirements or when handling dirty fluids. See page 88 for more information.



A C24 Pressure Regulating Valve provides a capable, lower-cost alternative to C64 valves for Hydra-Cell G35 pumping systems. See page 84 for more information.



Skid-mounted G35 with 20hp, 3-phase motor.



# G35 Series How to Order

## Ordering Information

1	2	3	4	5	6	7	8	9	10	11	12
---	---	---	---	---	---	---	---	---	----	----	----

A complete G35 Series Model Number contains 12 digits including 9 customer-specified design and materials options, for example: G35XKBTHFECA.

Digit	Order Code	Description
<b>1-3</b>	<b>G35</b>	<b>Pump Configuration</b> Shaft-driven (BSPT Ports or SAE or ANSI Flanges)
<b>4</b>	<b>X</b>	<b>Hydraulic End Cam</b> Max 127.0 l/min (33.5 gpm) @ 960 rpm
	<b>E</b>	Max 110.0 l/min (29.1 gpm) @ 960 rpm
<b>5</b>	<b>K</b>	<b>Pump Head Version</b> Kel-Cell BSPT Ports or ANSI Flanges
	<b>E</b>	Kel-Cell SAE Flanges
	<b>X</b>	ATEX <i>(Note: ATEX 94/9/EC Certified, Category 2, Zone 1. Includes certificate and oil level monitor.)</i>
<b>6</b>	<b>B</b>	<b>Pump Head Material</b> Brass
	<b>C</b>	Cast Iron (Nickel-plated)
	<b>G</b>	Duplex Alloy 2205 (with Hastelloy C followers & follower screws)
	<b>Q</b>	316L Stainless Steel ANSI flange class 600 x 1500
	<b>R</b>	316L Stainless Steel ANSI flange class 150 x 600
	<b>S</b>	316L Stainless Steel - threaded or SAE ports
	<b>T</b>	Hastelloy CW12MW
<b>7</b>	<b>A</b>	<b>Diaphragm &amp; O-ring Material</b> Atlas diaphragm / PTFE o-ring
	<b>E</b>	EPDM (requires EPDM-compatible oil - Digit 12 oil code D)
	<b>G</b>	FKM
	<b>J</b>	PTFE (available with E cam only; 1050 rpm max.)
	<b>P</b>	Neoprene
	<b>T</b>	Buna-N
<b>8</b>	<b>C</b>	<b>Valve Seat Material</b> Ceramic
	<b>D</b>	Tungsten Carbide
	<b>H</b>	17-4 Stainless Steel
	<b>N</b>	Nitronic 50
	<b>T</b>	Hastelloy C
<b>9</b>	<b>C</b>	<b>Valve Material</b> Ceramic
	<b>D</b>	Tungsten Carbide
	<b>F</b>	17-4 Stainless Steel
	<b>N</b>	Nitronic 50
	<b>T</b>	Hastelloy C

Digit	Order Code	Description
<b>10</b>	<b>E</b>	<b>Valve Springs</b> Elgiloy
	<b>H</b>	17-7 Stainless Steel
	<b>T</b>	Hastelloy C
<b>11</b>	<b>C</b>	<b>Valve Spring Retainers</b> Celcon
	<b>H</b>	17-7 Stainless Steel
	<b>M</b>	PVDF
	<b>P</b>	Polypropylene
	<b>T</b>	Hastelloy C
	<b>Y</b>	Nylon (Zytel)
<b>12</b>	<b>A</b>	<b>Hydra-Oil</b> 10W30 standard-duty oil
	<b>B</b>	40-wt for continuous-duty oil (use with 316L SST or Hastelloy CW12MW pump head - standard)
	<b>D</b>	EPDM-compatible oil
	<b>F</b>	Food-contact oil
	<b>G</b>	5W30 cold-temp severe-duty synthetic oil
	<b>H</b>	15W50 high-temp severe-duty synthetic oil

**G35 Pump Housing is standard as Cast Aluminum. Upgrade to Ductile Iron available.**

**Note:** For motors, bases, couplings and other pump accessories, refer to the Accessories section beginning on page 92.

# Hydra-Cell®

## Seal-less Pumps

### Wanner Engineering, Inc.

#### World Headquarters & Manufacturing

Wanner Engineering, Inc.  
1204 Chestnut Avenue,  
Minneapolis, MN 55403 USA  
Phone: 612-332-5681 • Fax: 612-332-6937  
Toll-Free Fax (USA): 800-332-6812  
Email: [sales@wannereng.com](mailto:sales@wannereng.com)  
[www.Hydra-Cell.com](http://www.Hydra-Cell.com)

#### Regional Office

207 US Highway 281  
Wichita Falls, TX 76310 USA  
Phone: 940-322-7111  
Toll-Free: 800-234-1384  
Email: [sales@wannereng.com](mailto:sales@wannereng.com)  
[www.Hydra-Cell.com](http://www.Hydra-Cell.com)

#### Latin American Office

R. Álvaro Anes, 150 Bairro Campestre  
Santo André/São Paulo, Brazil - CEP 09070-030  
Phone: +55 (11) 4081-7098  
Email: [mmagoni@wannereng.com](mailto:mmagoni@wannereng.com)  
[www.Hydra-Cell.com](http://www.Hydra-Cell.com)

### Wanner International Ltd.

Wanner International, Ltd.  
Hampshire - United Kingdom  
Phone: +44 (0) 1252 816847  
Email: [sales@wannerint.com](mailto:sales@wannerint.com)  
[www.Hydra-Cell.eu](http://www.Hydra-Cell.eu)

### Wanner Pumps Ltd.

Wanner Pumps, Ltd.  
Kowloon - Hong Kong  
Phone: +852 3428 6534  
Email: [sales@wannerpumps.com](mailto:sales@wannerpumps.com)  
[www.WannerPumps.com](http://www.WannerPumps.com)

Shanghai - China  
Phone: +86-21-6876 3700  
Email: [sales@wannerpumps.com](mailto:sales@wannerpumps.com)  
[www.WannerPumps.com](http://www.WannerPumps.com)

