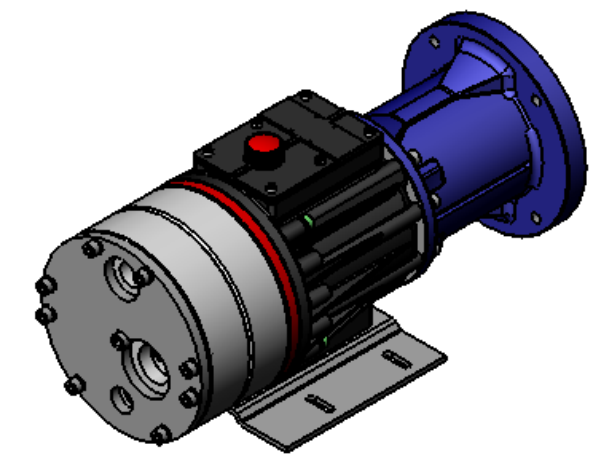
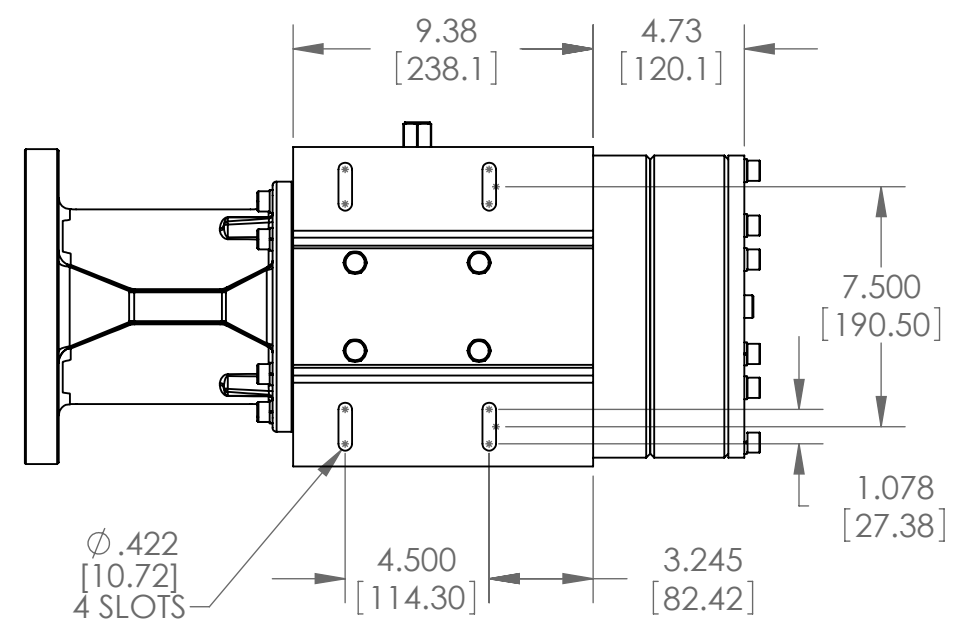
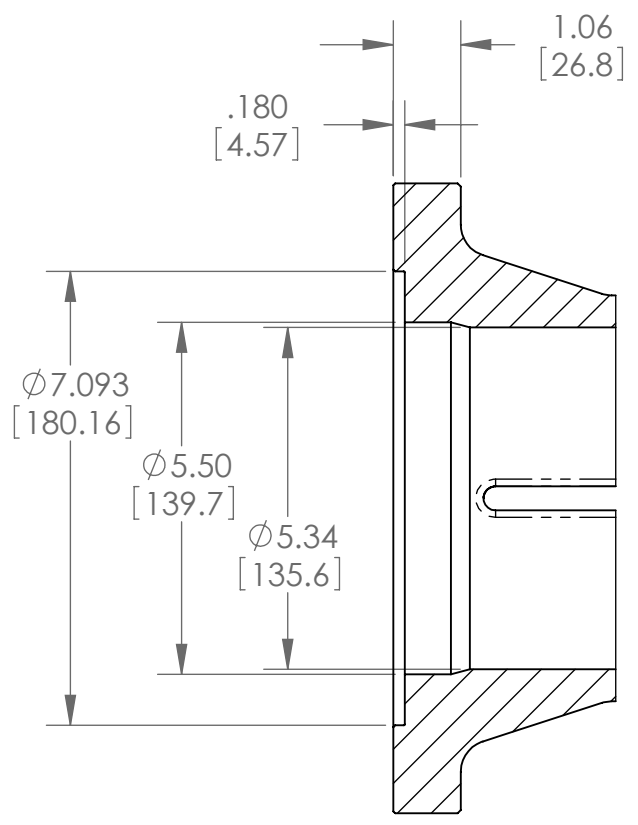
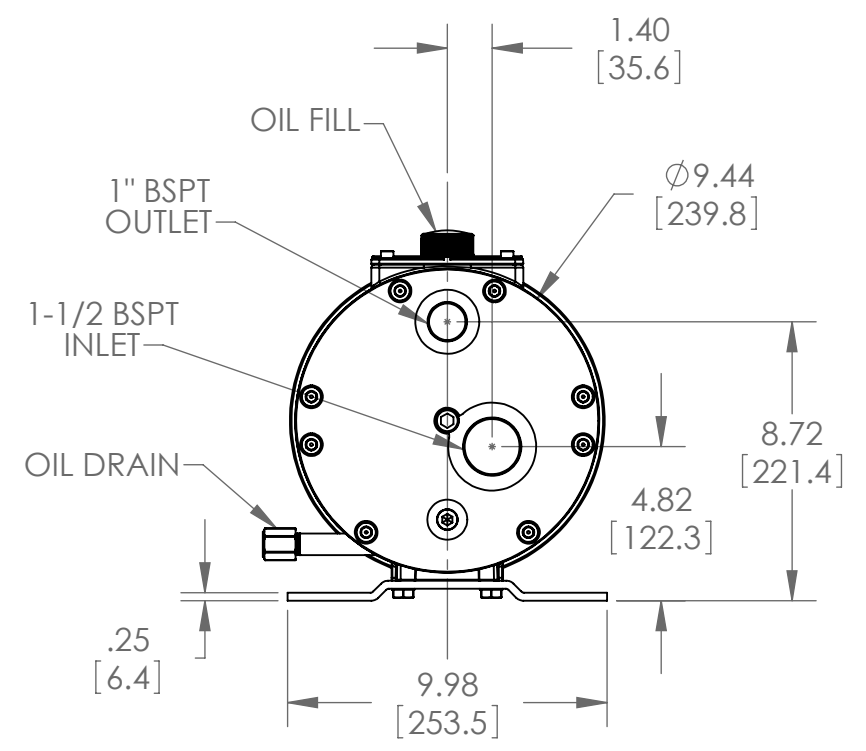
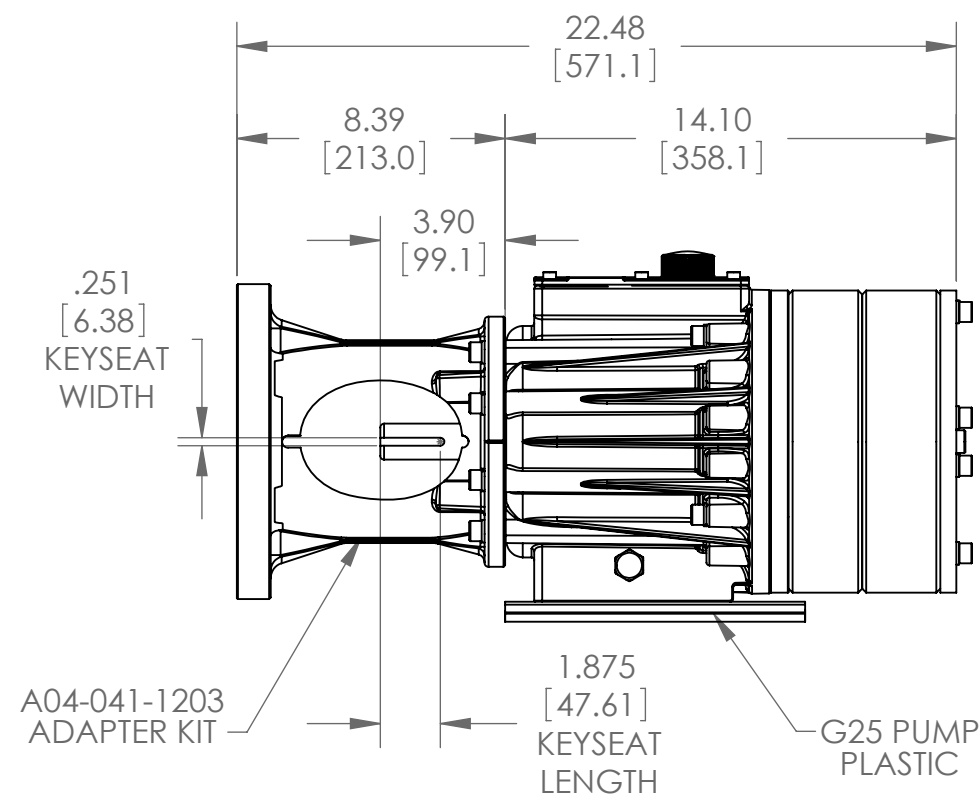
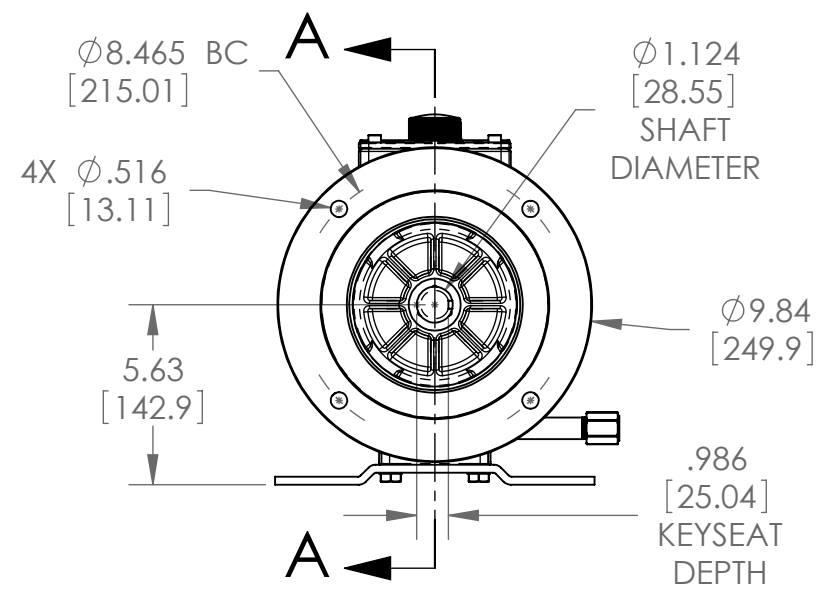


DWG NO  
G25-P-1203-OD



SECTION A-A  
SCALE 1 : 3

**OUTLINE DRAWING**  
ALL DIMENSIONS ARE REFERENCE

PROPRIETARY STATEMENT  
This document contains confidential and proprietary information and is not to be reproduced or the information contained therein disclosed to others without consent, in writing, from WANNER ENGINEERING INC.

DWN	08/06/08	MLS
CHK'D		
APP'D		
USED ON		
NEXT ASSY		
SHEET 1 OF 1		
SCALE: 1:6	FORM BBLK	

**WANNER ENGINEERING INC**  
1204 CHESTNUT AVE. MPLS, MN 55403

TITLE  
OUTLINE DWG, G25 PLASTIC A04-041-1203

DWG NO  
**G25-P-1203-OD**

SIZE  
B  
REV.  
A