

PARTS MANUAL

G17-991-2402A

Hydra-Cell[®]

INDUSTRIAL PUMPS

Model: G-17

IMPORTANT

Record your pump model number and serial number here for easy reference:

Model No. _____

Serial No. _____

Date of Purchase _____

When ordering parts or making inquiries about this pump, please mention the model and serial numbers.

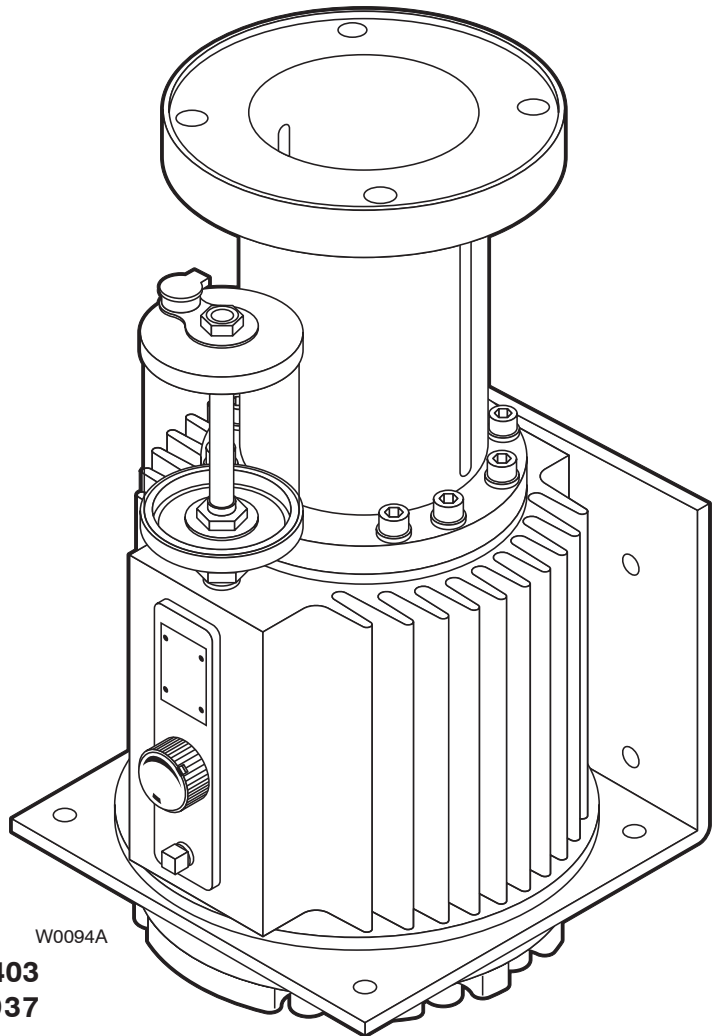


WANNER ENGINEERING, INC.

1204 Chestnut Avenue, Minneapolis, MN 55403
TEL: (612) 332-5681 FAX: (612) 332-6937
TOLL-FREE FAX [US only]: (800) 332-6812

www.hydra-cell.com

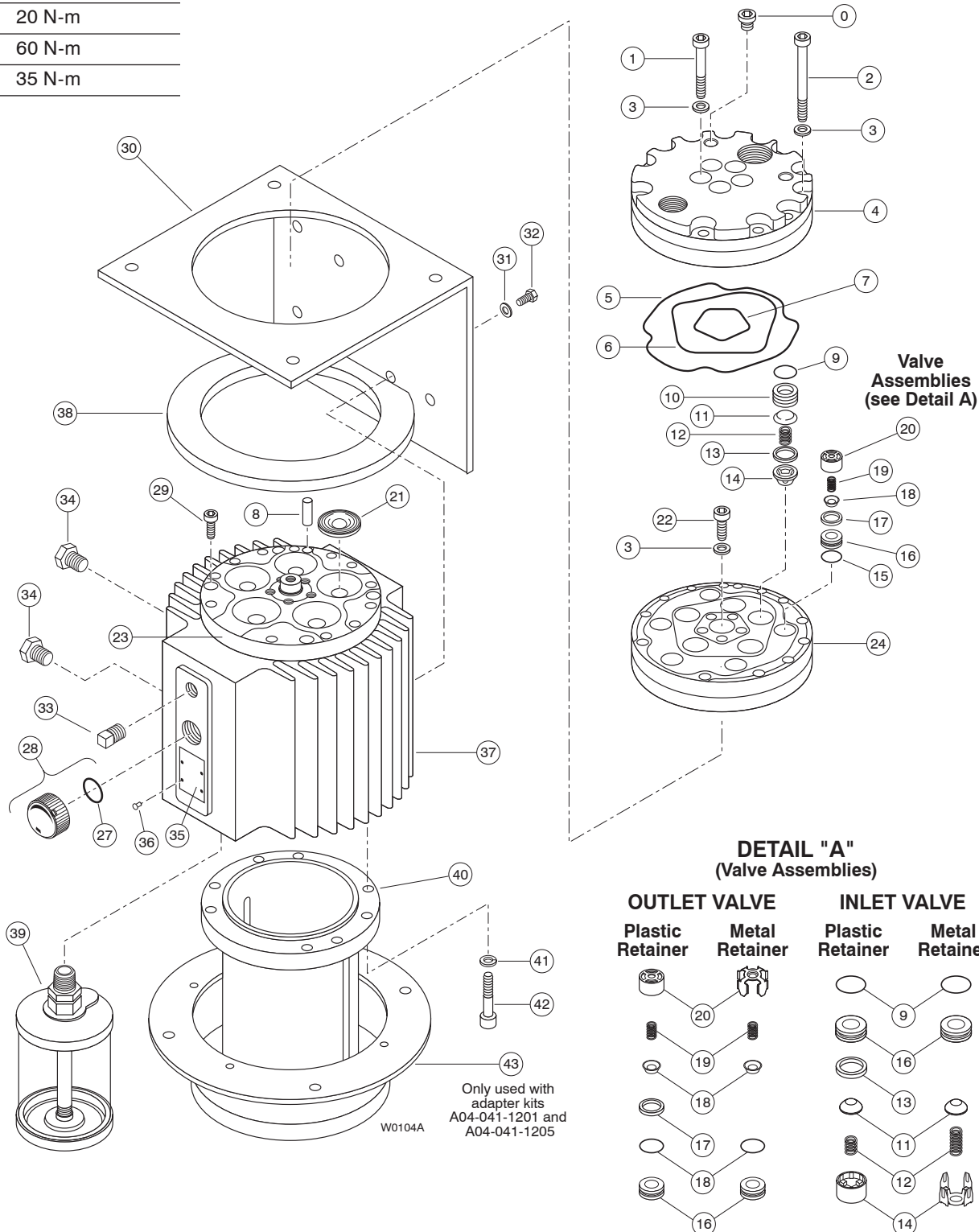
email: sales@wannereng.com



G-17 Fluid End

Bolt Torque Specifications

Ref. No.	Assembly Torque
1	60 N-m
2	60 N-m
22	60 N-m
29	20 N-m
32	60 N-m
42	35 N-m



G-17 Fluid End

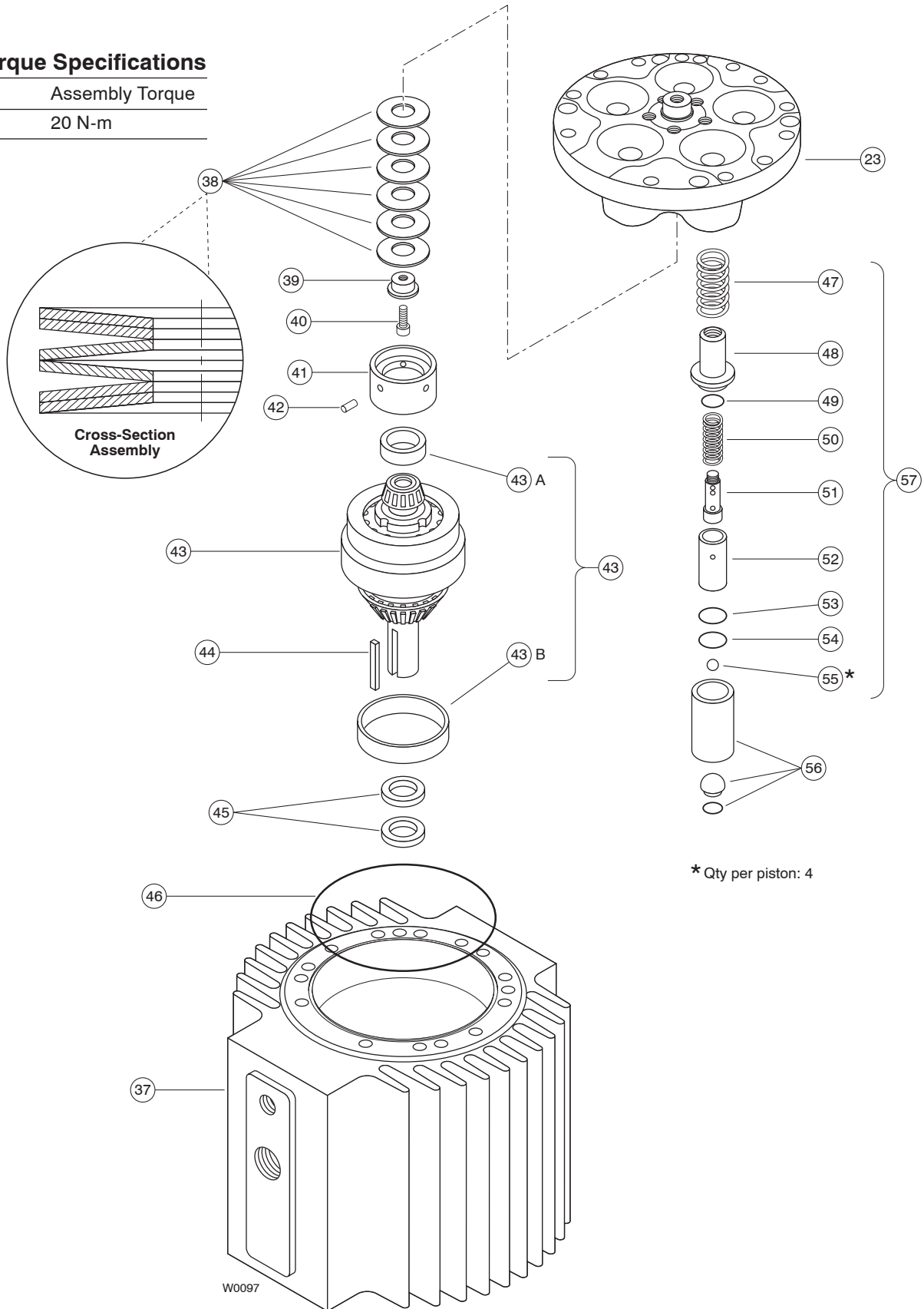
Ref. No.	Part Number	Description	Quantity/ Pump	Ref. No.	Part Number	Description	Quantity/ Pump
0	G25-038-2211	Plug, 316 SST	2	18	D03-021-1015	Valve, outlet, 17-4 SST, HT	5
1	G15-081-2010	Screw, socket-head-cap, M10 x 1.5 x 85mm	5		D03-021-1011	Valve, outlet, Nitronic 50	5
2	G25-024-2010	Screw, socket-head-cap, M10 x 1.5 x 120mm	12		D03-021-1016	Valve, outlet, tungsten carbide	5
3	D11-048-2011	Washer, flat	18	19	D15-022-3113	Valve Spring, outlet, Hastelloy C	5
4	G15-004-1010	Manifold, brass, BSPT	1		D15-022-3114	Valve Spring, outlet, Elgiloy	5
	G15-004-1012	Manifold, 316L SST, BSPT	1	20	D03-023-1010	Retainer, outlet valve spring, 17-7 SST	5
5	D40-073-2110	O-ring, outer manifold, Buna	1		D03-023-2310	Retainer, outlet valve spring, Celcon ..	5
	D40-073-2111	O-ring, outer manifold, Viton	1		D03-023-2316	Retainer, outlet valve spring, Nylon	5
6	D15-073-2110	O-ring, middle manifold, Buna	1		D03-023-2317	Retainer, outlet valve spring, Polypropylene	5
	D15-073-2111	O-ring, middle manifold, Viton	1		D03-023-2318	Retainer, outlet Valve Spring, Kynar ..	5
7	D35-080-2120	O-ring, inner manifold, Buna	1	21	D15-018-1220	Diaphragm, Buna-N-XS	5
	D35-080-2121	O-ring, inner manifold, Viton	1		D15-018-1215	Diaphragm, Viton-XT	5
8	D15-026-2210	Pin, dowel	1	22	G10-087-2010	SHCS, M10 x 1.5 x 30mm	1
9	D10-035-2110	O-ring, inlet valve seat, Buna	5	23	G15-002-1010	Cylinder Housing	1
	D10-035-2111	O-ring, inlet valve seat, Viton	5	24	D15-003-1010	Valve Plate, Brass	1
10	D15-020-1010	Valve Seat, inlet, 17-4 SST, HT	5		D15-003-1012	Valve Plate, 316L SST	1
	D15-020-1011	Valve Seat, inlet, Nitronic 50	5	27	D10-080-2110	O-ring, Buna	1
	D15-020-1016	Valve Seat, inlet, tungsten carbide	5	28	D03-039-1030	Cap with O-ring, oil fill	1
11	D10-021-1015	Valve, inlet, 17-4 SST, HT	5	29	C22-015-2014	SHCS, M8 x 1.25 x 30	4
	D10-021-1011	Valve, inlet, Nitronic 50	5	30	D15-025-1011	Base Plate	1
	D10-021-1016	Valve, inlet, tungsten carbide	5	31	M10-111-2000	Lockwasher	4
12	D10-022-3117	Valve Spring, inlet, Elgiloy	5	32	G35-087-2010	HHCS, M12 x 1.75 x 35mm	4
	D10-022-3123	Valve Spring, inlet, Hastelloy C	5	33	D35-111-2010	Plug, magnetic	1
13	D10-092-2110	Tetra Seal, inlet, Buna	5	34	D25-038-2210	Plug, Brass	2
	D10-092-2111	Tetra Seal, inlet, Viton	5	35	D10-040-2410	Name Plate	1
14	D10-023-1010	Retainer, inlet valve spring, 17-7 SST	5	36	D10-112-2200	Rivet	4
	D10-023-2310	Retainer, inlet valve spring, Celcon ..	5	37	G15-001-1010	Pump Housing	1
	D10-023-2326	Retainer, inlet valve spring, Nylon	5	38	D15-025-1012	Gasket	1
	D10-023-2327	Retainer, inlet valve spring, Polypropylene	5	39	A01-117-3400	Reservoir, oil	1
	D10-023-2328	Retainer, inlet valve spring, Kynar	5	40	A04-041-1003	Adapter, motor, IEC 160 B14 face	1
15	D25-046-2110	O-ring, outlet valve seat, Buna	5		A04-041-1005	Adapter, motor, IEC 160/180 B5 flange	1
	D25-046-2111	O-ring, outlet valve seat, Viton	5	41	G25-048-2010	Lockwasher, M10	8
16	D15-020-2010	Valve Seat, outlet, 17-4 SST, HT	5	42	G03-068-2010	Screw, socket-head cap, M10 x 1.5 x 40mm	8
	D15-020-2011	Valve Seat, outlet, Nitronic 50	5	43	A04-120-1005	Clamping Ring*	1
	D15-020-2016	Valve Seat, outlet, tungsten carbide ..	5				
17	D03-092-2110	Tetra Seal, outlet, Buna	5				
	D03-092-2111	Tetra Seal, outlet, Viton	5				

* Only used with adapter A04-041-1005.

G-17 Hydraulic End

Bolt Torque Specifications

Ref. #	Assembly Torque
40	20 N-m



G-17 Hydraulic End

Ref. No.	Part Number	Description	Quantity/ Pump
38	D15-075-3110	Spring, disk	6
39	D15-112-1010	Guide, disk spring	1
40	G15-115-2010	SHCS, M8 x 1.25 x 10mm.....	1
41	D15-012-1010	Plate, bearing adjustment	1
42	D15-110-2210	Pin, dowel.....	1
43	D15-007-1210	(X) Cam Assembly, 50 lpm @ 1450 rpm	1
	D15-007-1214	(E) Cam Assembly, 47 lpm @ 1450 rpm	1
44	D25-085-2210	Key, shaft	1
45	H25-031-2112	Seal shaft.....	2
46	D15-037-2110	O-ring, Buna.....	1

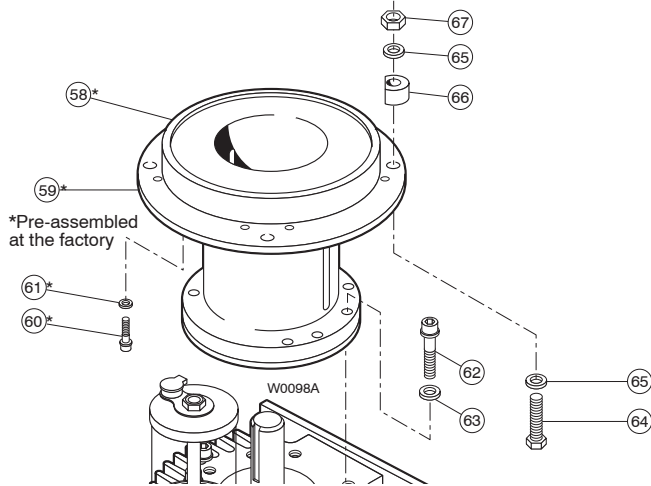
Ref. No.	Part Number	Description	Quantity/ Pump
47	D10-019-3110	Spring, piston return.....	5
48	D10-042-1010	Retainer, spring.....	5
49	D10-046-2110	O-ring, Buna.....	5
50	D10-045-3110	Spring, sleeve valve.....	5
51	D15-044-1010	Plunger, valve.....	5
52	D10-043-1010	Cylinder, valve.....	5
53	D10-034-2110	O-ring, Buna.....	5
54	D10-041-1010	Washer, retaining	5
55	D10-015-3010	Ball, steel.....	20
56	D15-014-1209	Piston (with foot, retainer and balls) ...	5
57	D15-014-1210	Piston Assembly, Buna	5

G-17 Pump/Motor Adapter Kits

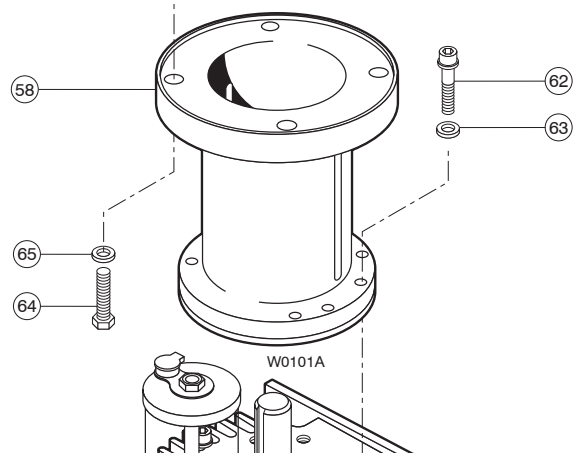
For IEC 132 B5 Flange Motor (Complete Kit Part No. A04-041-1201)

For IEC 160 B14 Face Motor (Complete Kit Part No. A04-041-1203)

For IEC 160/180 B5 Flange Motor (Complete Kit Part No. A04-041-1205)



Adapter Kits A04-041-1201 and A04-041-1205



Adapter Kit A04-041-1203

Ref No.	Description	A04-041-1201	A04-041-1203	A04-041-1205	Qty/ Kit
58	Pump/Motor Adapter	A04-041-1001	A04-041-1003	A04-041-1005	1
59	Clamping Ring	A04-120-1005	—	A04-120-1005	1
60	Cap Screw, socket-head	G03-029-2010 M6	—	G10-087-2010 M10	8
61	Lockwasher, split	D03-050-2010 1/4"	—	G25-048-2010 M10	8
62	Cap Screw, Socket-head, M10	G03-068-2010	G03-068-2010	G03-068-2010	8
63	Lockwasher, split, M10	G25-048-2010	G25-048-2010	G25-048-2010	8
64	Cap Screw,	G40-101-2010 Soc.hd,M12	A04-043-2010 Soc.hd,M12	A04-046-2016 Soc.hd,M16	4
65	Lockwasher, split	M10-111-2000* 1/2"	M10-111-2000 1/2"	A04-044-2016* 5/8"	4 *8
66	Spacer	A04-120-1011	—	A04-120-1015	4
67	Hex Nut	A04-045-2010	—	A04-045-2016	4

G-17 Series Replacement Parts Kits

TO ORDER REPLACEMENT PARTS KIT: A Replacement Parts Kit contains 11 digits corresponding to customer-specified design options.

1	2	3	4	5	6	7	8	9	10	11
---	---	---	---	---	---	---	---	---	----	----

Digit	Order Code	Description
1-3	G17	Pump Configuration For all G-17 Pumps
4	K	Kit Designator Complete Fluid End Kit
	D	Diaphragm Kit
	V	Valve Kit (diaphragm not included)
5-6	52	Pump Head Version Pump Head Version
7	G	Diaphragm & O-ring Material Viton [®] -XT
	T	Buna-N-XS
8	D	Valve Seat Material Tungsten Carbide
	H	17-4 PH Stainless Steel
	N	Nitronic 50
	X	Not included in Diaphragm Kit
9	D	Valve Material Tungsten Carbide
	F	17-4 PH Stainless Steel – Machined
	N	Nitronic 50
	X	Not included in Diaphragm Kit
10	E	Valve Springs Elgiloy [®]
	T	Hastelloy [®] C
	X	Not included in Diaphragm Kit
11	C	Valve Spring Retainers Celcon
	H	17-7 PH Stainless Steel
	M	Kynar [®]
	P	Polypropylene
	Y	Nylon (Zytel)
	X	Not included in Diaphragm Kit

Kit Contents

Part Number*	Description	Qty	Kit Designator
			K D V
D15-018- ___	Diaphragm	5	• •
D40-073- ___	O-ring, outer manifold	1	• • •
D15-073- ___	O-ring, middle manifold	1	• • •
D35-080- ___	O-ring, inner manifold	1	• • •
D10-035- ___	O-ring, valve seat, inlet	5	• •
D15-020- ___	Valve seat, inlet	5	• •
D10-021- ___	Valve, inlet	5	• •
D10-022- ___	Valve spring, inlet	5	• •
D10-092- ___	Tetra seal, inlet	5	• •
D10-023- ___	Retainer, valve spring, inlet	5	• •
D25-046- ___	O-ring, valve seat, outlet	5	• •
D15-020- ___	Valve seat, outlet	5	• •
D03-092- ___	Tetra seal, outlet**	5	• •
D03-021- ___	Valve, outlet	5	• •
D03-022- ___	Valve spring, outlet	5	• •
D10-023- ___	Retainer, valve spring, outlet	5	• •
A01-113-3400	Thread locker	1	• •

* Last four digits of part numbers with ___ refer to specific material of construction.

** Not included with metal spring retainers.



WANNER ENGINEERING, INC.

1204 Chestnut Avenue, Minneapolis, MN 55403
 TEL: (612) 332-5681 FAX: (612) 332-6937
 TOLL-FREE FAX [US only]: (800) 332-6812

www.hydra-cell.com

email: sales@wannereng.com

© 2004 Wanner Engineering, Inc. Printed in USA
 G17-991-2402A 5/2004, Revised 2/2007