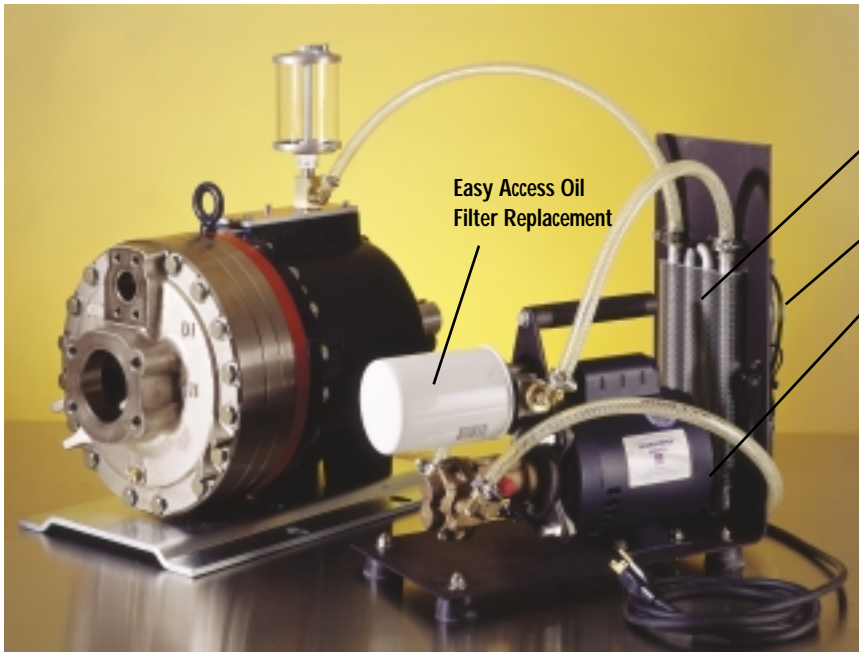


# Oil Cooler & Filter System



The Hydra-Cell Oil Cooler/Filtering system is designed to help Hydra-Cell pumps operate cooler in order to extend oil life and reduce bearing wear. Designed as a free standing, compact package, the system is easy to install and can be used with Wanner Hydra-Cell pumps including the D/G-35 pump shown here.

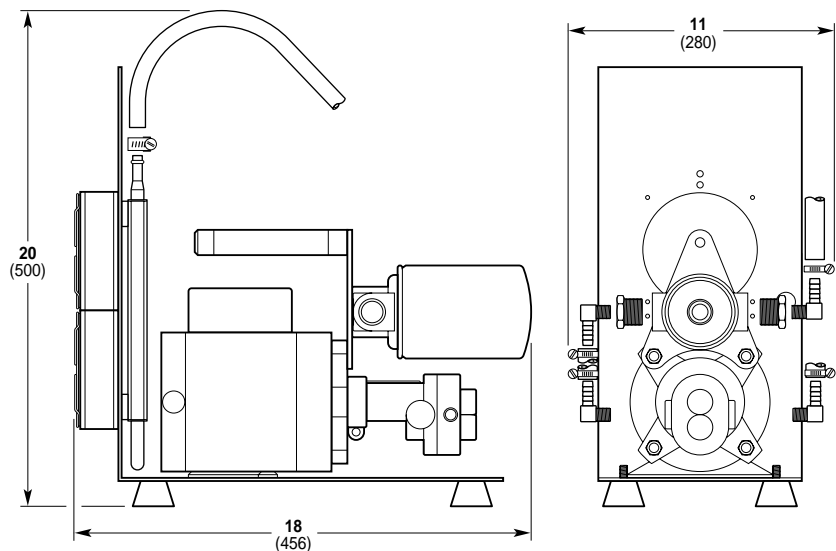
- Ideal for high temperature applications
- Reduces pump operating oil temperature by 30°F (16°C) or more
- Extends oil life reducing the need for oil changes
- Extends bearing life
- Complete packaged system includes all fittings, hoses and adapters

Hydra-Cell pumps combined with the Oil Cooler and Filter System provide maximum performance and reliability in some of the toughest industrial equipment and processes. The Oil Cooler/Filtering System is designed to dramatically reduce the impact of pumping high temperature fluids. The typical reduction of 30°F (16°C) achieved by the system dramatically extends bearing life. Having an oil filtration system built into the cooling loop also reduces wear and extends oil life.

The packaged system includes all necessary fittings, hoses, adapters and hardware and mounting materials to install the oil cooler and filtering system. The system requires 115 VAC, 50/60 Hz power input.

## Dimensions

in (mm)



Description	Part Number
Oil Cooler & Filter System, 110 VAC/60 Hz	103-100
Oil Cooler & Filter System, 220 VAC/50 Hz	103-150