

**PARTS MANUAL**  
**G25-991-2403A**

# Hydra-Cell<sup>®</sup>

## INDUSTRIAL PUMPS

**MODEL: G-25**

**WITH NON-METALLIC PUMP HEAD**

**IMPORTANT**

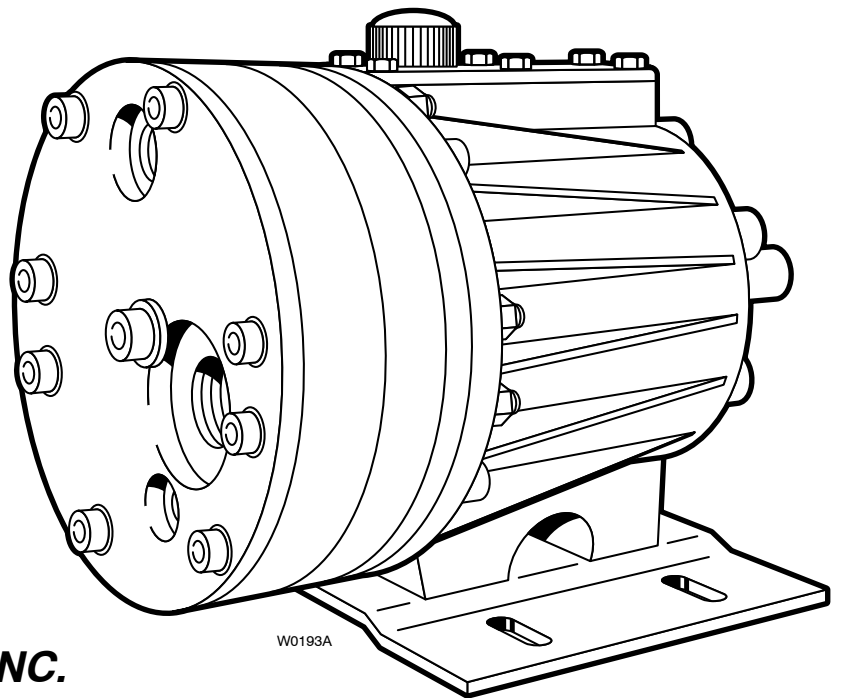
Record your pump model number and serial number here for easy reference:

Model No. \_\_\_\_\_

Serial No. \_\_\_\_\_

Date of Purchase \_\_\_\_\_

When ordering parts or making inquiries about this pump, please mention the model and serial numbers.

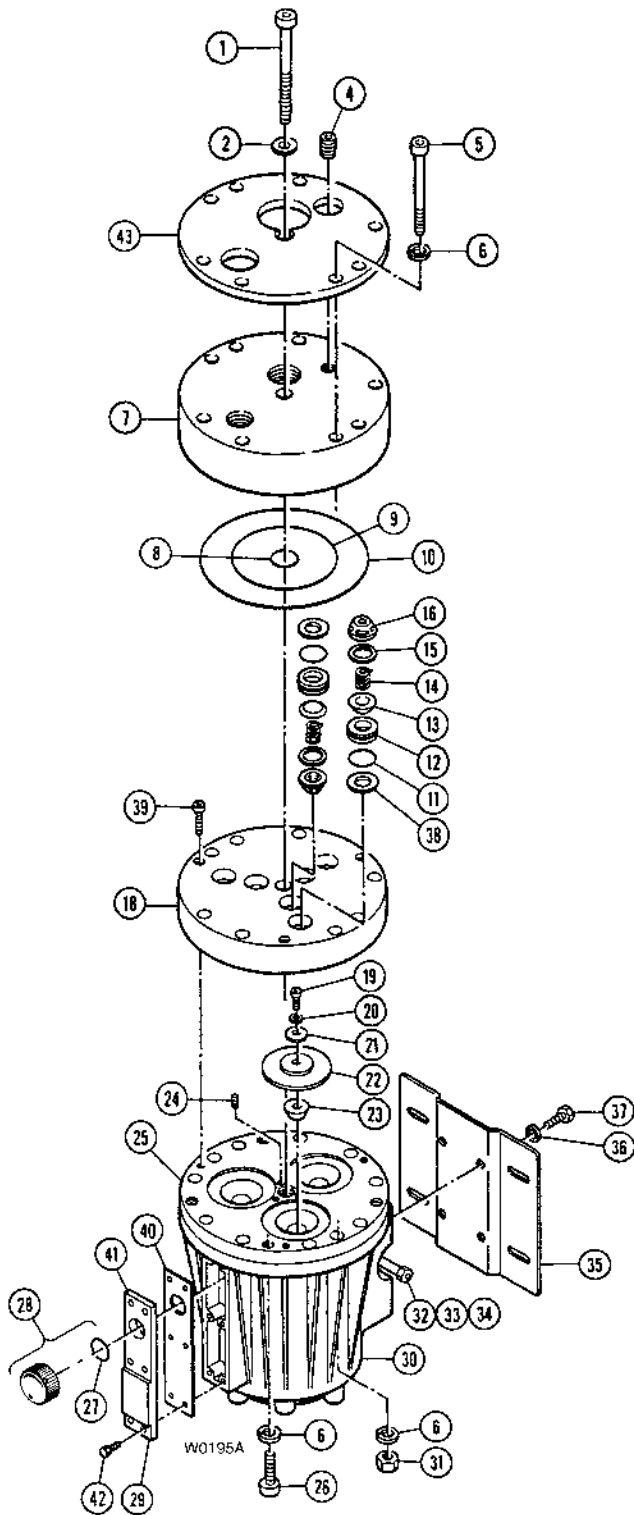


**WANNER ENGINEERING, INC.**

1204 Chestnut Avenue, Minneapolis, MN 55403  
TEL: (612) 332-5681 FAX: (612) 332-6937  
TOLL-FREE FAX [US only]: (800) 332-6812

[www.hydra-cell.com](http://www.hydra-cell.com)  
email: [sales@wannereng.com](mailto:sales@wannereng.com)

# G-25 Fluid End (with non-metallic pump head)



Ref. No.	Part Number	Description	Quantity/Pump
1	G25-081-2017	Cap Screw, socket head, M12 x 1.25 x 130mm	1
2	G10-084-1010	Washer, 13 cm, flat	1
4	D25-038-2017	Plug, Hastelloy C	1
	D25-038-2211	Plug, 316 SST	1
5	G25-024-2017	Cap Screw, socket-head, M10 x 1.5 x 170 mm	8
6	G25-048-2010	Washer, split-lock, M10	16
7	D25-004-1054	Manifold, polypropylene	1
	D25-004-1055	Manifold, Celcon	1
	D25-004-1056	Manifold, Teflon	1
	D25-004-1057	Manifold, Kynar	1
8	D10-083-2110	O-ring, center manifold, Buna	1
	D10-083-2111	O-ring, center manifold, Viton	1
	D10-083-2112	O-ring, center manifold, Neoprene	1
	D10-083-2113	O-ring, center manifold, EPDM	1
9	D25-073-2110	O-ring, manifold, Buna	1
	D25-073-2111	O-ring, manifold, Viton	1
	D25-073-2112	O-ring, manifold, Neoprene	1
	D25-073-2113	O-ring, manifold, EPDM	1
10	D25-109-2110	O-ring, outer manifold, Buna	1
	D25-109-2111	O-ring, outer manifold, Viton	1
	D25-109-2112	O-ring, outer manifold, Neoprene	1
	D25-109-2113	O-ring, outer manifold, EPDM	1
11	D25-035-2110	O-ring, valve seat, Buna	6
	D25-035-2111	O-ring, valve seat, Viton	6
	D25-035-2112	O-ring, valve seat, Neoprene	6
	D25-035-2113	O-ring, valve seat, EPDM	6
12	D25-020-1010	Valve Seat, 17-4 HT SST	6
	D25-020-1012	Valve Seat, Nitronic 50	6
	D25-020-1017	Valve Seat, Hastelloy C	6
	D25-020-3300	Valve Seat, ceramic	6
13	D25-021-1010	Valve, 17-7 HT SST, stamped	6
	D25-021-1011	Valve, Nitronic 50	6
	D25-021-1015	Valve, 17-4 HT SST, machined	6
	D25-021-1017	Valve, Hastelloy C	6
	D25-021-3300	Valve, ceramic	6
14	D25-022-3110	Valve Spring, 17-7 HT SST	6
	D25-022-3114	Valve Spring, Elgiloy	6
	D25-022-3115	Valve Spring, Hastelloy C	6
15	D25-092-2110	Tetra Seal, Buna	6
	D25-092-2111	Tetra Seal, Viton	6
	D25-092-2112	Tetra Seal, Neoprene	6
	D25-092-2113	Tetra Seal, EPDM	6
16	D25-023-2310	Retainer, valve spring, Celcon	6
	D25-023-2316	Retainer, valve spring, Nylon	6
	D25-023-2317	Retainer, valve spring, polypropylene	6
	D25-023-2318	Retainer, valve spring, Kynar	6

# G-25 Fluid End (with non-metallic pump head)

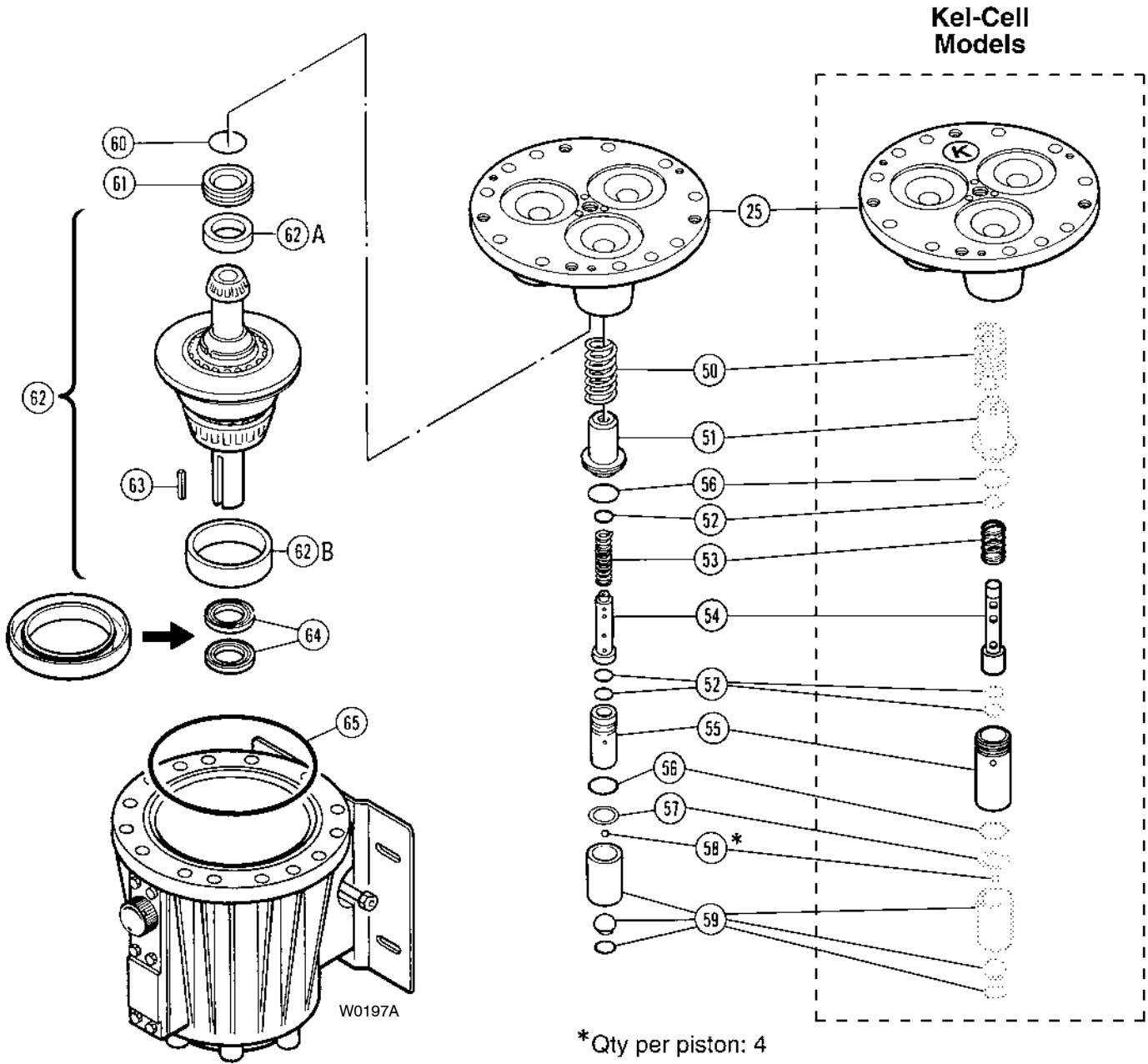
Ref. No.	Part Number	Description	Quantity/ Pump
18	D25-003-1054	Valve Plate, polypropylene .....	1
	D25-003-1055	Valve Plate, Celcon .....	1
	D25-003-1056	Valve Plate, Teflon .....	1
	D25-003-1057	Valve Plate, Kynar .....	1
19	D25-030-2010	Screw, flat-head mach., 5/8", 316 SST .....	3
	D25-030-2011	Screw, flat-head mach., 5/8", Hastelloy C .....	3
20	D25-047-2110	O-ring, follower, Buna .....	3
	D25-047-2111	O-ring, follower, Viton .....	3
	D25-047-2112	O-ring, follower, Neoprene .....	3
	D25-047-2113	O-ring, follower, EPDM .....	3
21	D25-017-1010	Follower, 316 SST .....	3
	D25-017-1011	Follower, Hastelloy C .....	3
22	D25-018-2312	Diaphragm, Neoprene .....	3
	D25-018-2313	Diaphragm, EPDM .....	3
	D25-018-2315	Diaphragm, Viton-XT .....	3
	D25-018-2320	Diaphragm, Buna-N-XS .....	3
23	D25-016-1010	Plunger .....	3
24	G25-082-2010	Set Screw, M6 x 1 x 16mm .....	3
25	G25-002-1010	Cylinder Casting .....	1
	G25-002-1210	Cylinder Casting Assembly, Buna <sup>1</sup> .....	—
26	G10-087-2020	Cap Screw, socket-hd, M10 x 1.5 x 30 mm .....	4
27	D10-080-2110	O-ring, oil fill, Buna .....	1
	D10-080-2111	O-ring, oil fill, Viton .....	1
28	D03-039-1030	Cap, oil fill (includes breather and O-ring) .....	1
29	D10-040-2410	Name Plate .....	1
30	G25-001-1218	Pump Housing Assembly <sup>2</sup> .....	— <sup>9</sup>
	G25-001-1228	Pump Housing <sup>2</sup> .....	1

Ref. No.	Part Number	Description	Quantity/ Pump
31	G10-028-2010	Nut, hex, M10 .....	8
32	D25-076-2210	Elbow, 3/8" .....	1
33	D25-077-2210	Pipe, 3/8" .....	1
34	D25-078-2210	Cap, 3/8" .....	1
35	D25-025-1010	Base .....	1
36	G25-054-2010	Washer, shakeproof, M10 .....	4
37	G10-029-2010	Cap Screw, hex-hd, M10 x 1.5 x 25 mm .....	4
38	D25-125-2310	Washer, dampening, Celcon .....	6
	D25-125-2316	Washer, dampening, Nylon .....	6
	D25-125-2317	Washer, dampening, polypropylene ...	6
	D25-125-2318	Washer, dampening, Kynar .....	6
39	G25-088-2010	Cap Screw, socket-hd, M6 x 1x 45 mm .....	3
40	G25-106-2318	Gasket, cover .....	1
41	H25-105-1018	Cover, housing .....	1
42	G25-090-2010	Cap Screw, hex-head .....	6
43	D25-100-1011	Support, manifold .....	1

<sup>1</sup> Cylinder Casting Assembly includes casting (25), bearing cup, adjusting plate (61), O-ring (60), and set screws (24).

<sup>2</sup> Pump Housing Assembly includes housing (30), drain plug (32, 33, 34), and bearing cup. Pump Housing includes gasket (40), cover (41), and screws (42).

# G-25 Hydraulic End (with non-metallic pump head)



# G-25 Hydraulic End (with non-metallic pump head)

Ref. No.	Part Number	Description	Quantity/ Pump
50	D25-019-3111	Spring, piston return.....	3
51	D25-042-1010	Retainer, piston return spring .....	3
52	D25-046-2110	O-ring, valve cylinder, Buna.....	9
53	D25-045-3110	Spring, sleeve valve.....	3
	K25-045-3110	Spring, sleeve valve, Kel-Cell.....	3
54	D25-044-1010	Valve Plunger.....	3
	K25-044-1010	Valve Plunger, Kel-Cell.....	3
55	D25-043-1010	Cylinder, valve.....	3
	K25-043-1010	Cylinder, valve, Kel-Cell.....	3
56	D25-034-2110	O-ring, Buna.....	6
57	D25-041-1010	Washer, ball retainer.....	3
58	D25-015-3010	Ball, 1/4" .....	12
59	D25-014-1209	Piston, with foot and retainer .....	3
	D25-014-1210	Piston Assembly <sup>1</sup> .....	—
	K25-014-1210	Piston Assembly, Kel-Cell <sup>1</sup> .....	—
60	D25-075-2110	O-ring, bearing adjusting plate, Buna.	1
61	D25-012-1010	Bearing Adjusting Plate.....	1
62	H25-007-1210	(X) Cam Assembly, 76 lpm @ 1050 RPM <sup>2</sup> .....	1
	H25-007-1212	(I) Cam Assembly, 44 lpm @ 1150 RPM <sup>2</sup> .....	1
	H25-007-1213	(S) Cam Assembly, 59 lpm @ 1150 RPM <sup>2</sup> .....	1
	H25-007-1214	(E) Cam Assembly, 77 lpm @ 1150 RPM <sup>2</sup> .....	1
63	D25-085-2210	Key, shaft .....	1
64	H25-031-2112	Seal, Buna, 1-1/8".....	2
65	H25-037-2110	O-ring, pump housing, Buna, Ser. No. 100403 & above.....	1
—	D25-111-2400	Label, caution.....	1

<sup>1</sup> Piston Assembly includes cylinder, foot, valve plunger, O-rings, spring retainer, and springs (50-59).

<sup>2</sup> Cam Assembly includes cam, shaft, wobble plate, bearings, and cups. It is only available as an assembly.

# G-25 Series Replacement Parts Kits (with non-metallic pump head)

ORDERING INFORMATION: A Replacement Parts Kit contains 11 digits corresponding to customer-specified design options.

1	2	3	4	5	6	7	8	9	10	11
---	---	---	---	---	---	---	---	---	----	----

Digit	Order Code	Description
1-3	G25	Pump Configuration For all G-25 Pumps
4		Kit Designator
	K	Complete Fluid End Kit
	D	Diaphragm Kit
	V	Valve Kit (diaphragm not included)
5-6		Pump Head Version
	55	Non-Metallic Pump Head Version
7		Diaphragm & O-ring Material
	E	EPDM
	G	Viton-XT
	J	Teflon®
	P	Neoprene
	T	Buna-N-XS
8		Valve Seat Material
	C	Ceramic
	D	Tungsten Carbide
	H	17-4 PH Stainless Steel
	N	Nitronic 50
	T	Hastelloy® C
	X	Not included in Diaphragm Kit
9		Valve Material
	C	Ceramic
	D	Tungsten Carbide
	F	17-7 PH Stainless Steel – Machined
	H	17-7 PH Stainless Steel – Stamped
	N	Nitronic 50
	T	Hastelloy® C
	X	Not included in Diaphragm Kit
10		Valve Springs
	E	Elgiloy®
	H	17-7 PH Stainless Steel
	T	Hastelloy® C
	X	Not included in Diaphragm Kit
11		Valve Spring Retainers
	C	Celcon
	M	Kynar®
	P	Polypropylene
	Y	Nylon (Zytel)
	X	Not included in Diaphragm Kit

## Kit Contents

Part Number*	Description	Qty	Kit Designator		
			K	D	V
D25-018-___	Diaphragm	3	•	•	
D25-047-___	O-ring, follower	3	•	•	
D25-109-___	O-ring, outer manifold	1	•	•	•
D25-073-___	O-ring, inner manifold	1	•	•	•
D10-083-___	O-ring, center manifold	1	•	•	•
D25-035-___	O-ring, valve seat	6	•		•
D25-020-___	Valve seat	6	•		•
D25-021-___	Valve	6	•		•
D25-022-___	Valve spring	6	•		•
D25-092-___	Tetra seal	6	•		•
D25-023-___	Retainer, valve spring	6	•		•
A01-113-3400	Threadlocker	1	•	•	

\* Last four digits of part numbers with \_\_\_ refer to specific material of construction.



## WANNER ENGINEERING, INC.

1204 Chestnut Avenue, Minneapolis, MN 55403  
 TEL: (612) 332-5681 FAX: (612) 332-6937  
 TOLL-FREE FAX [US only]: (800) 332-6812

[www.hydra-cell.com](http://www.hydra-cell.com)

email: [sales@wannereng.com](mailto:sales@wannereng.com)