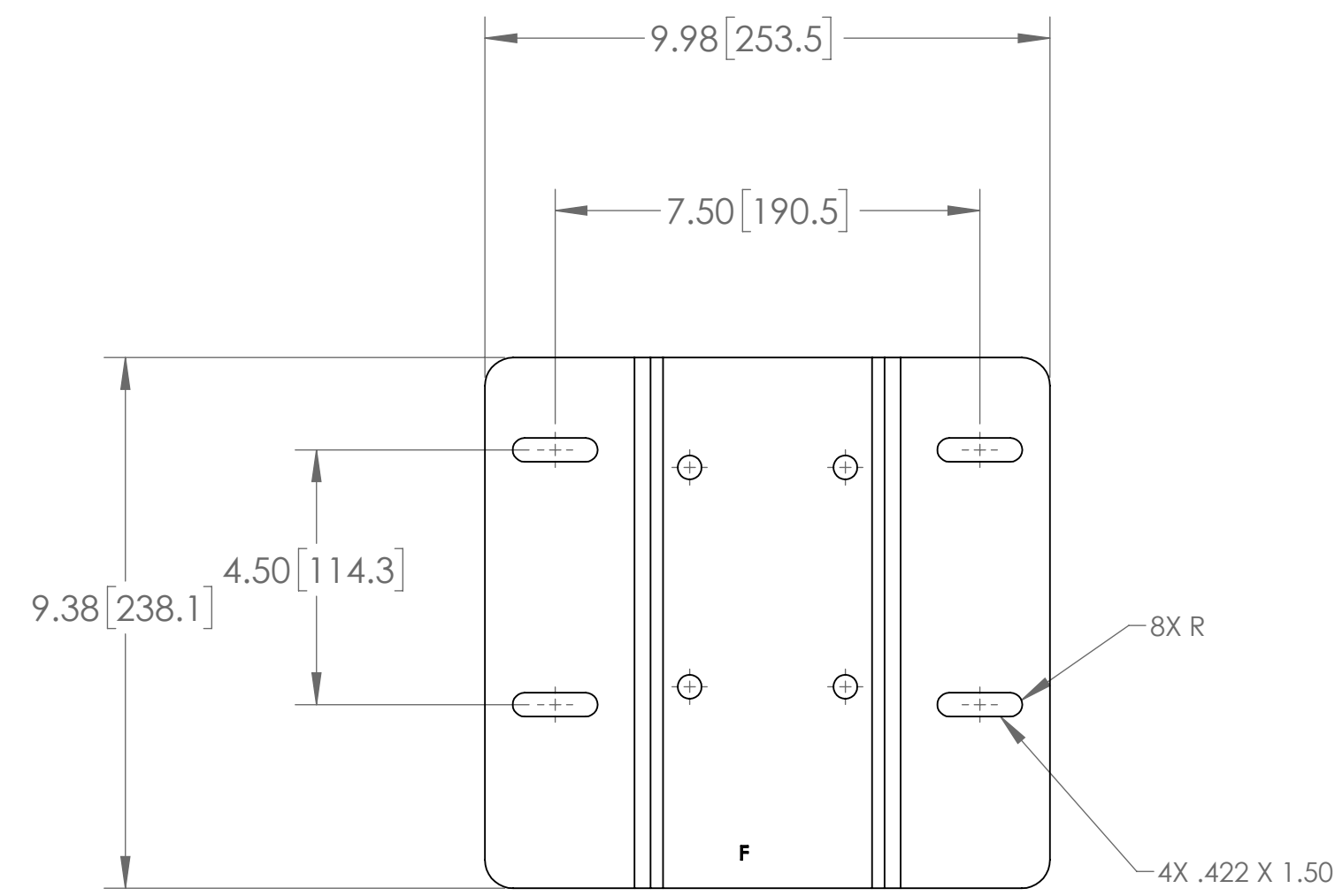
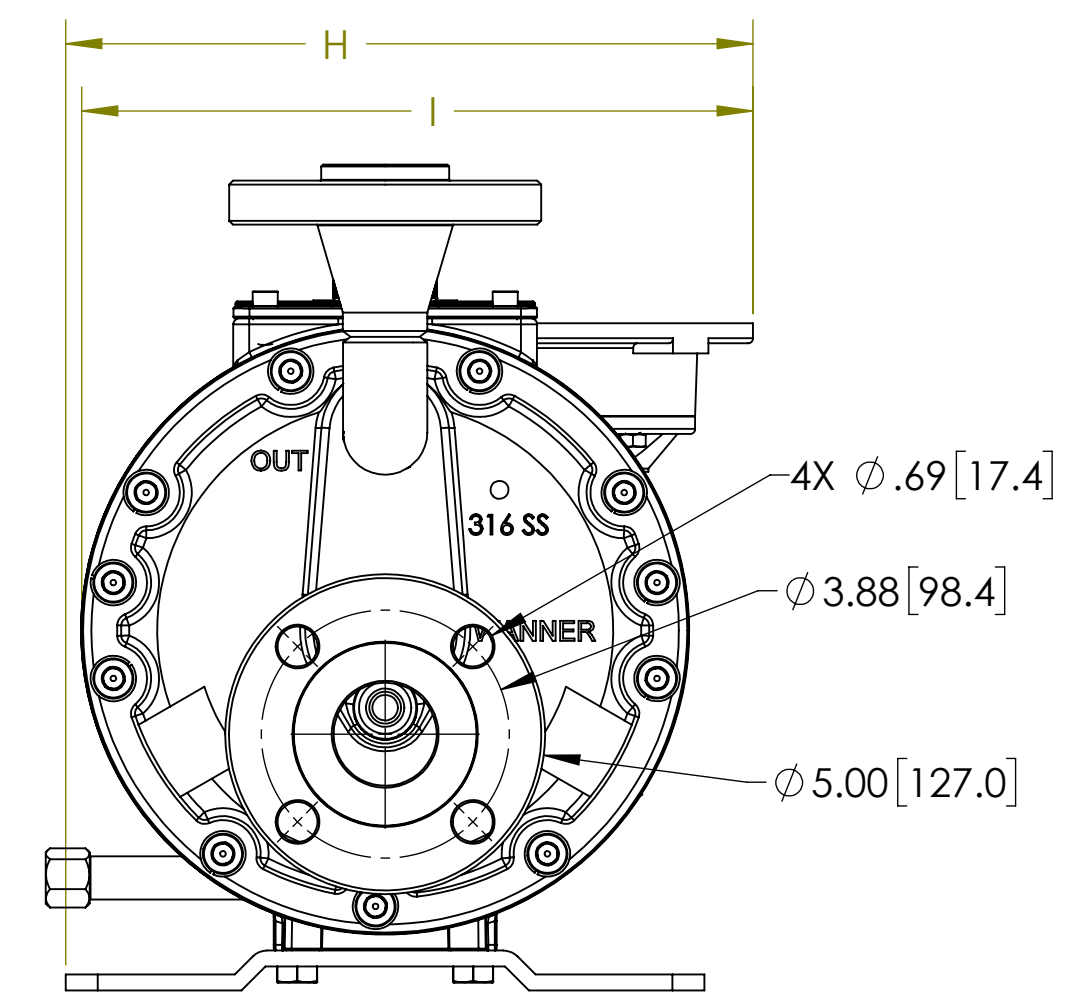
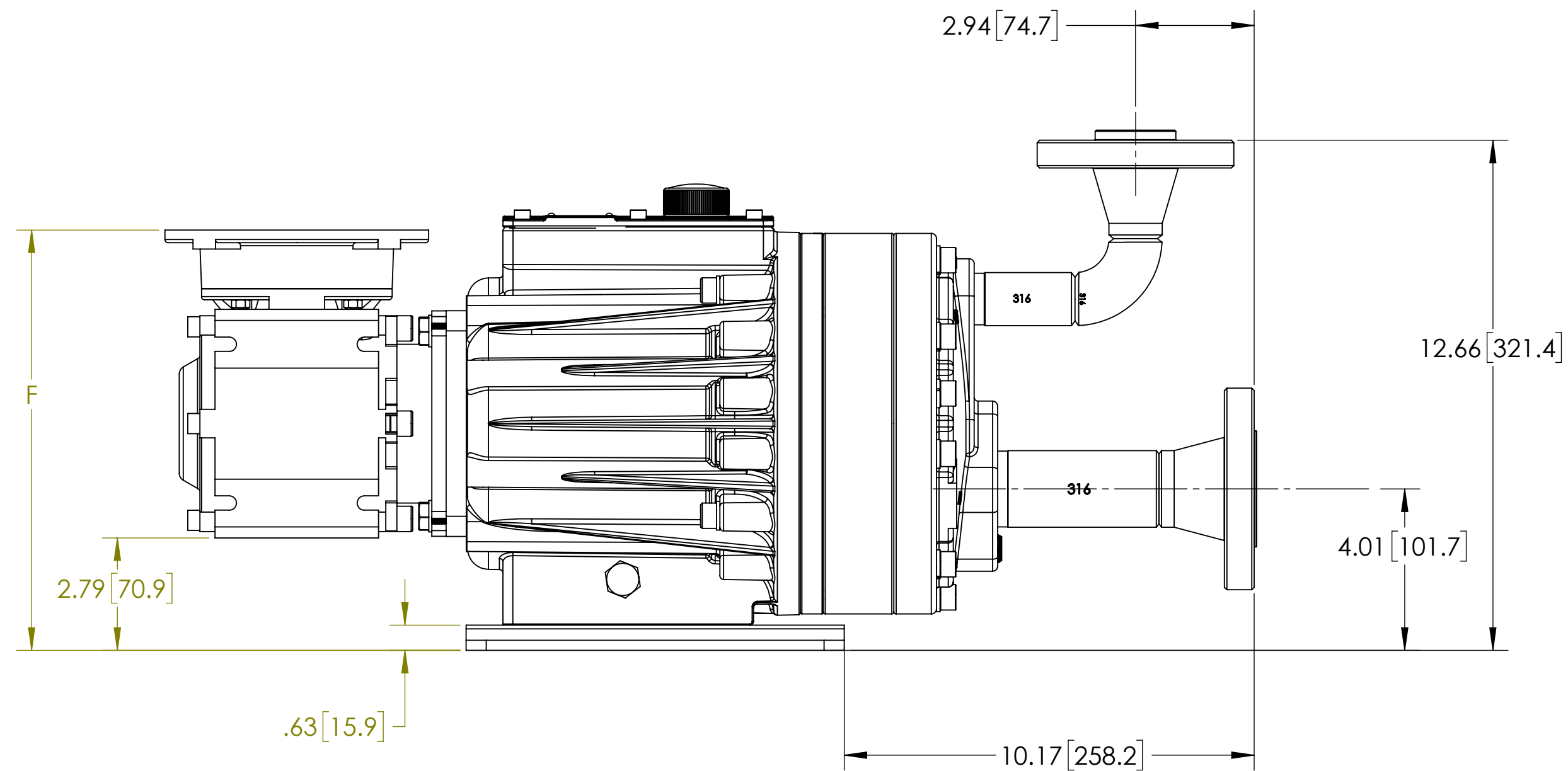
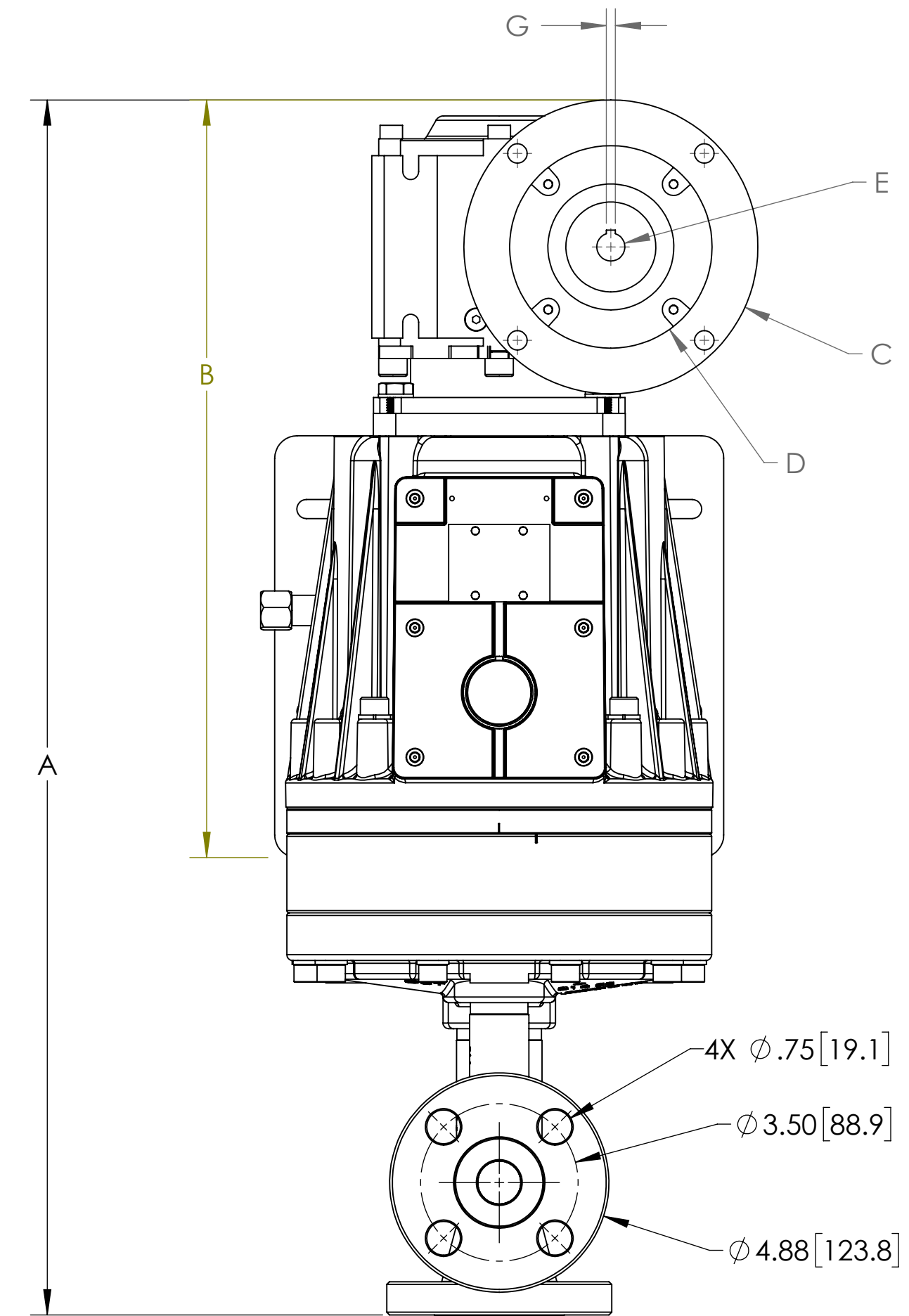


INPUT FRAME SIZE	DIMENSIONS: INCHES AND [MILLIMETERS]									
	A		B	C	D	E	F	G (SQUARE KEY)	H	I
	METALLIC PUMP HEAD	PLASTIC PUMP HEAD								
NEMA 56C	20.64 [524.3]	21.56 [547.6]	16.84 [427.7]	∅ 6.54 [∅ 166]	∅ 4.50 [∅ 114.3]	∅ .62 [∅ 15.7]	10.43 [264.9]	.187 [4.75]	10.74 [272.7]	10.49 [266.4]
IEC 71 B5	20.52 [521.2]	21.44 [544.6]	16.72 [424.7]	∅ 6.30 [∅ 160]	∅ 4.33 [∅ 110]	∅ .55 [∅ 14]	10.25 [260.4]	.196 [5]	10.62 [269.7]	10.37 [263.4]
IEC 80 B5	21.30 [541]	22.23 [564.7]	17.5 [444.5]	∅ 7.87 [∅ 200]	∅ 5.12 [∅ 130]	∅ .75 [∅ 19]	10.25 [260.4]	.236 [6]	11.40 [289.6]	11.15 [283.3]



BASE PLATE D25-025-1033



OUTLINE DRAWING
ALL DIMENSIONS ARE REFERENCE

PROPRIETARY STATEMENT
This document contains confidential and proprietary information and is not to be reproduced or the information contained therein disclosed to others without consent, in writing, from WANNER ENGINEERING INC.

DWN	05/07/2014	MSB
CHK'D		
APP'D		
USED ON		
NEXT ASSY		
SHEET 1 OF 1		
SCALE: 1:3	FORM DBLK	

WANNER ENGINEERING INC
1204 CHESTNUT AVE. MPLS, MN 55403

TITLE P600 PUMP SERIES FB 63 WITH FLANGE

DWG NO P600 PUMP SERIES FB63 WITH FLANGE

SIZE
D

REV.