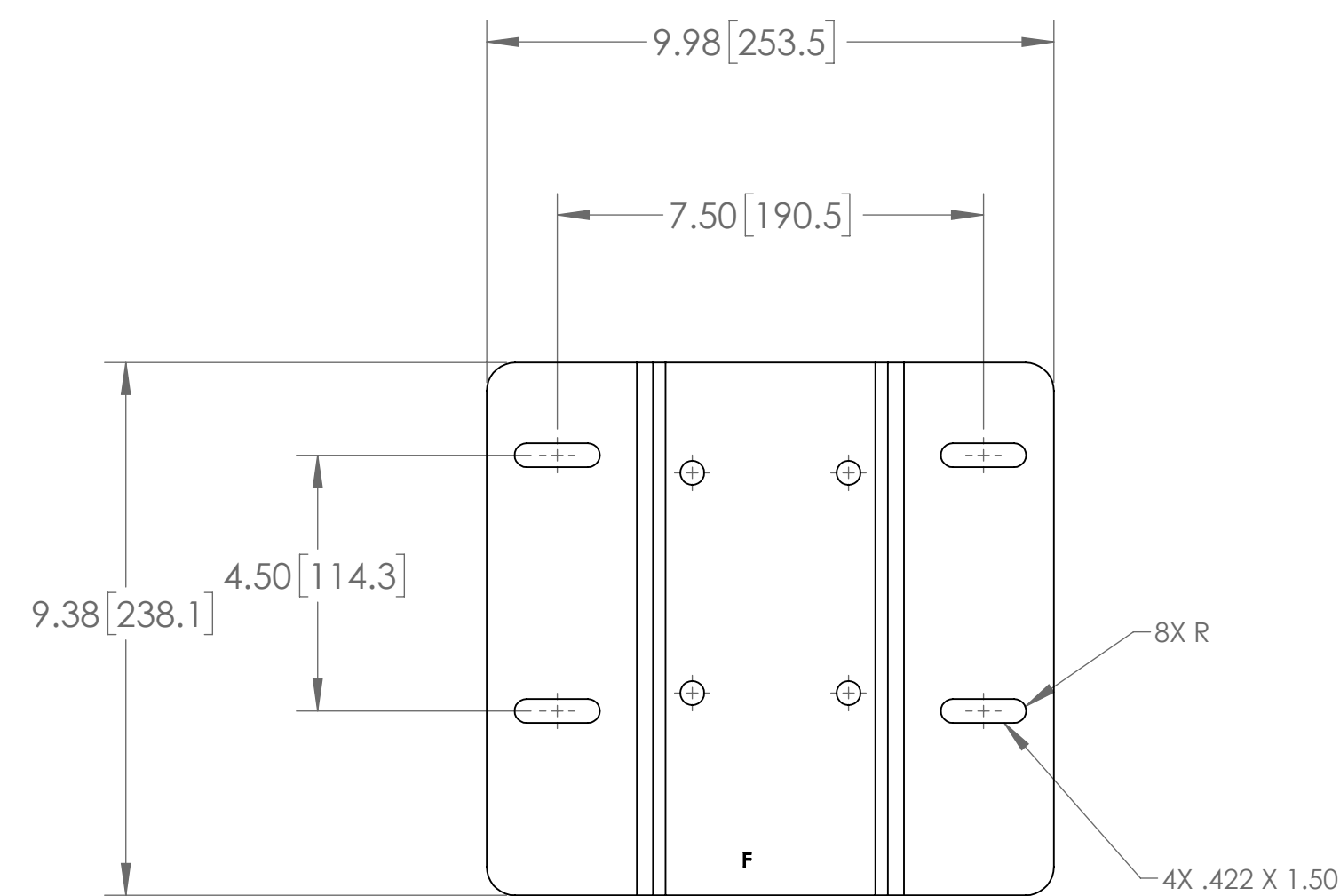
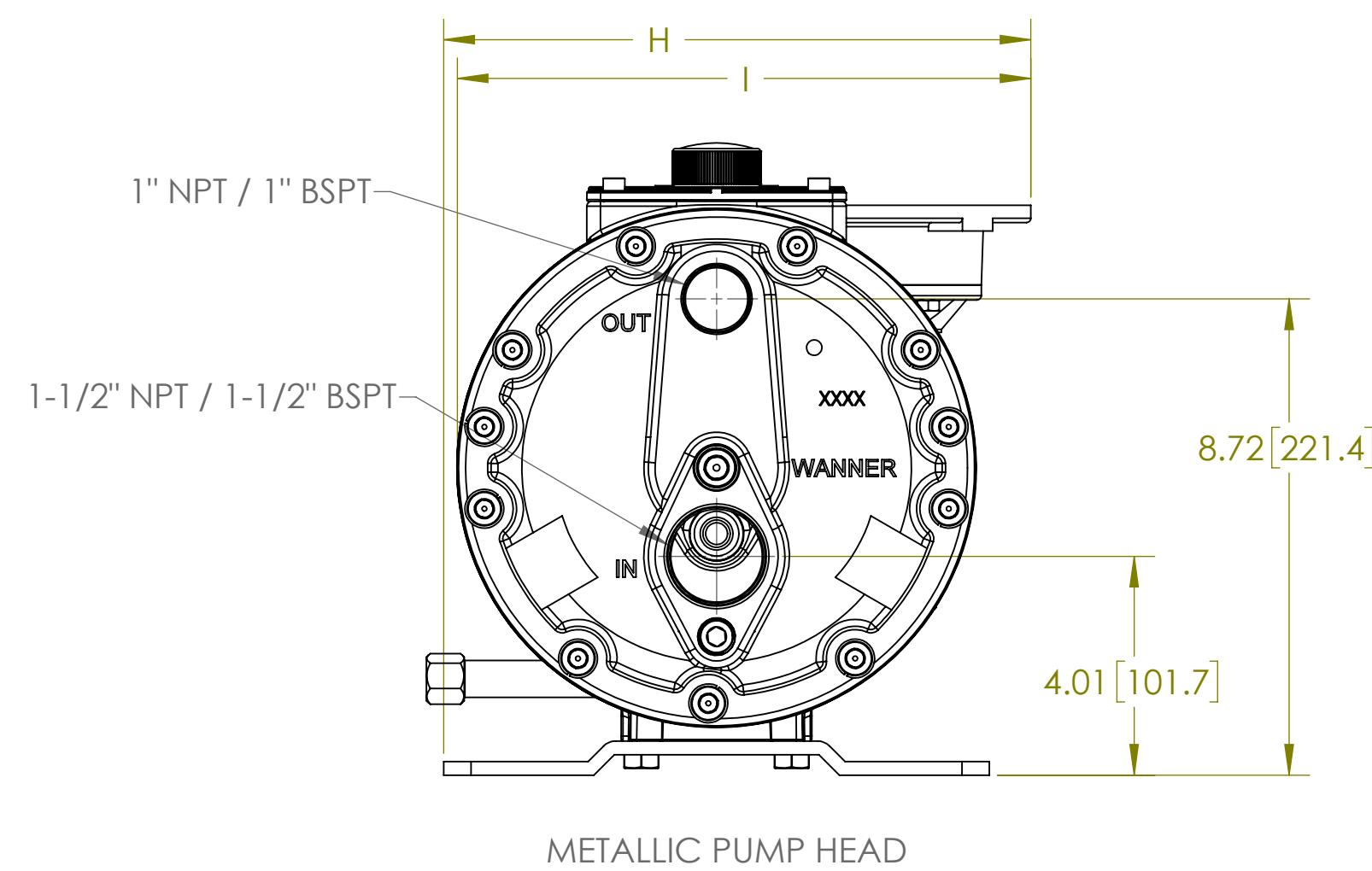
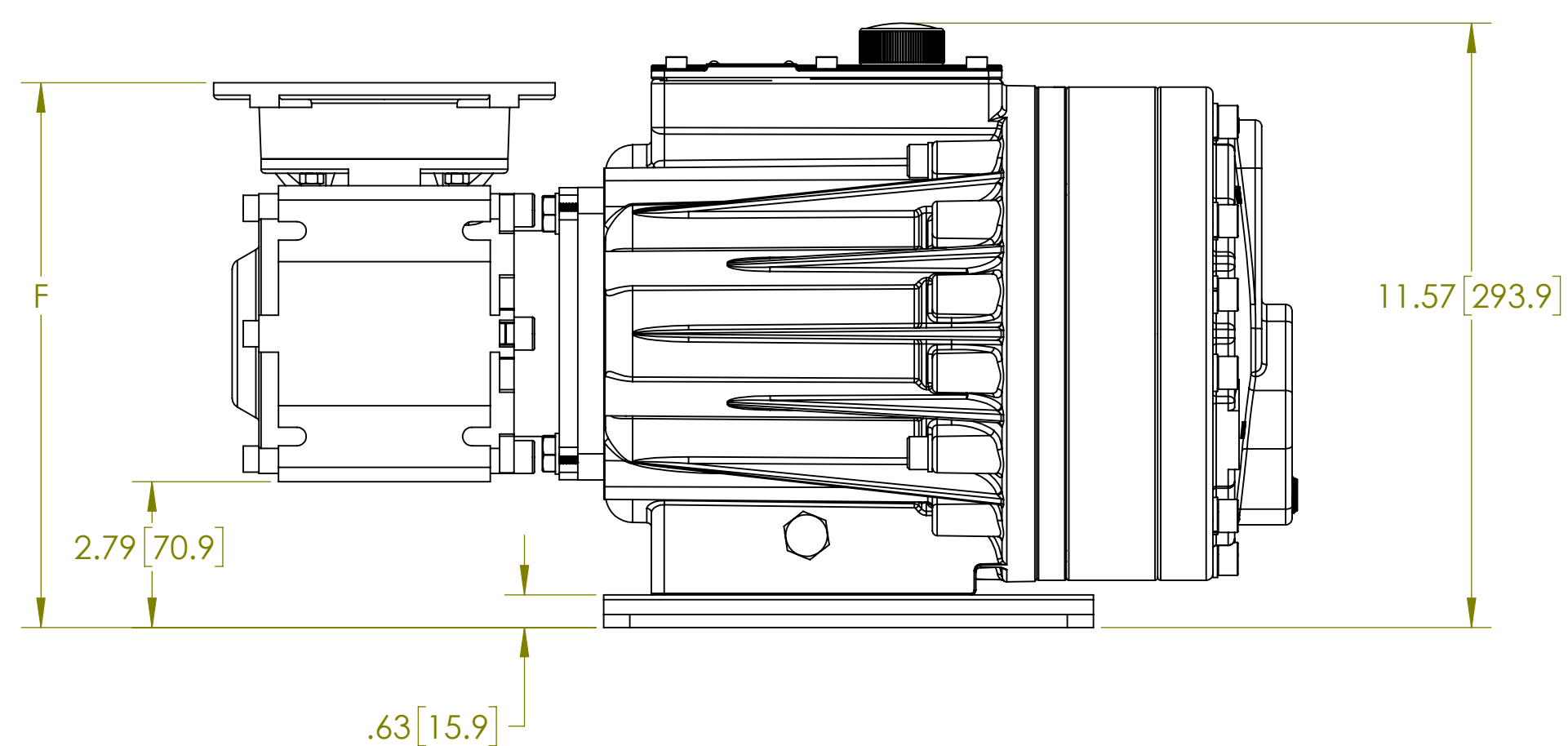
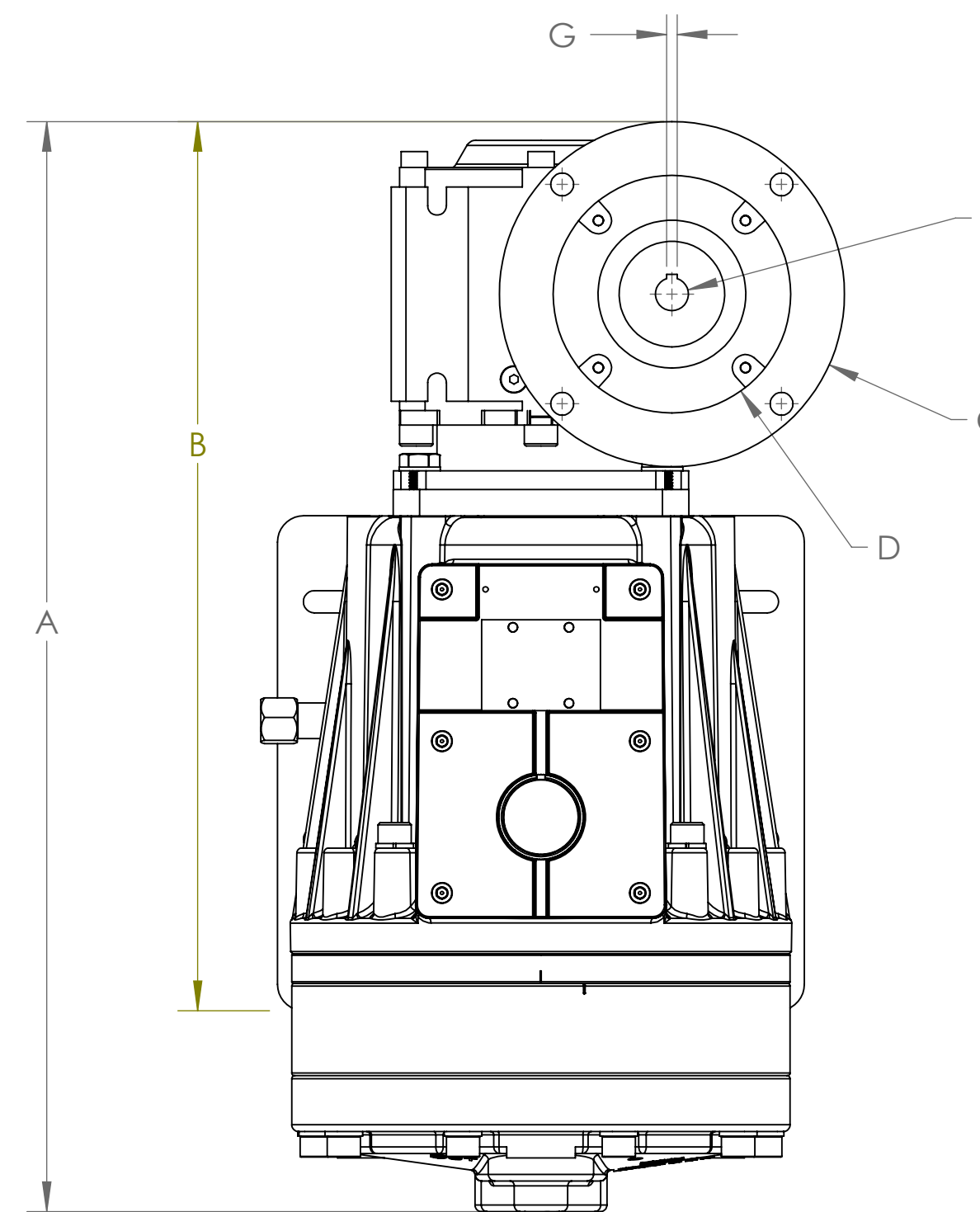


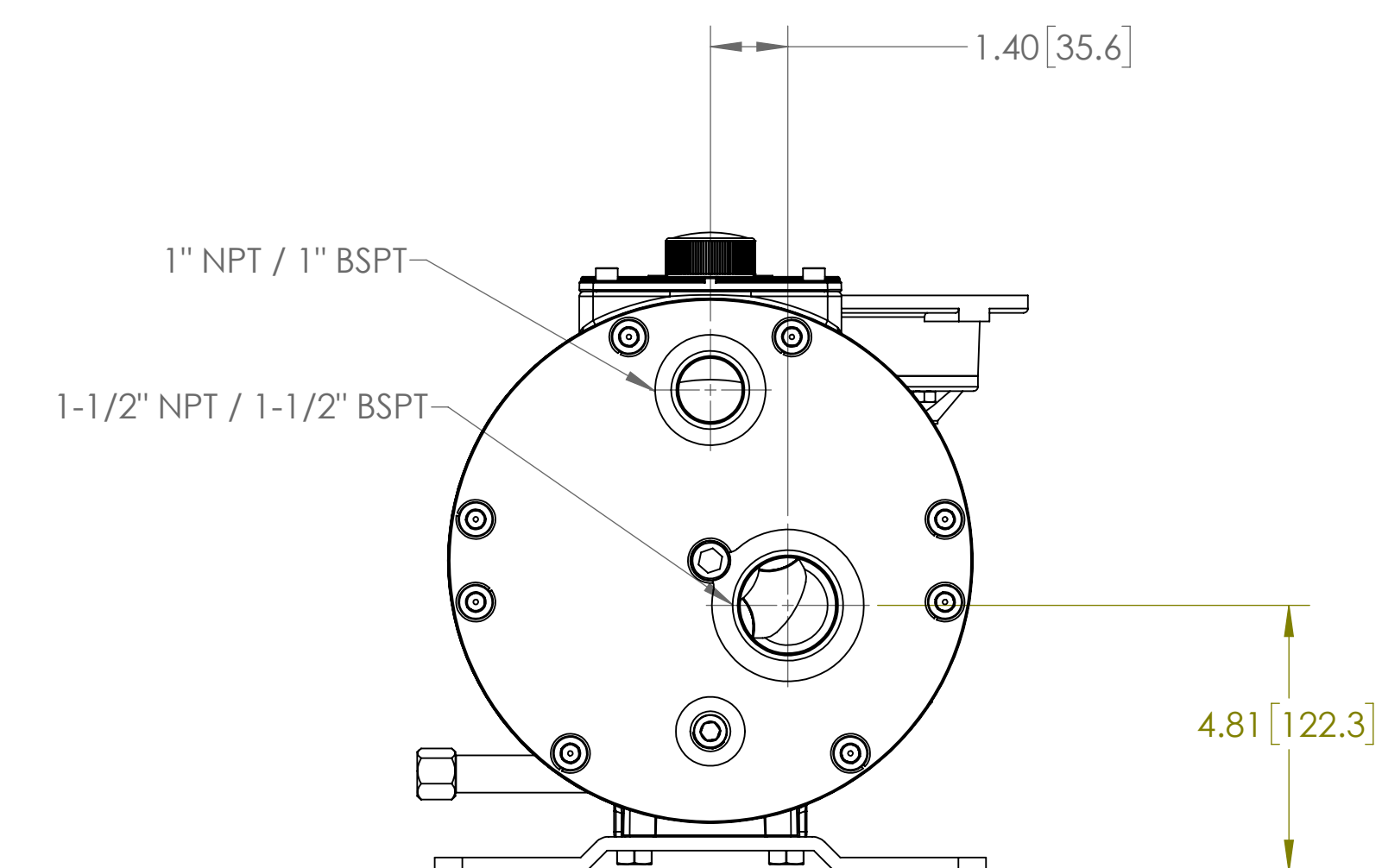
INPUT FRAME SIZE	DIMENSIONS: INCHES AND [MILLIMETERS]									
	A		B	C	D	E	F	G (SQUARE KEY)	H	I
	METALLIC PUMP HEAD	PLASTIC PUMP HEAD								
NEMA 56C	20.64 [524.3]	21.56 [547.6]	16.84 [427.7]	∅ 6.54 [∅ 166]	∅ 4.50 [∅ 114.3]	∅ .62 [∅ 15.7]	10.43 [264.9]	.187 [4.75]	10.74 [272.7]	10.49 [266.4]
IEC 71 B5	20.52 [521.2]	21.44 [544.6]	16.72 [424.7]	∅ 6.30 [∅ 160]	∅ 4.33 [∅ 110]	∅ .55 [∅ 14]	10.25 [260.4]	.196 [5]	10.62 [269.7]	10.37 [263.4]
IEC 80 B5	21.30 [541]	22.23 [564.7]	17.5 [444.5]	∅ 7.87 [∅ 200]	∅ 5.12 [∅ 130]	∅ .75 [∅ 19]	10.25 [260.4]	.236 [6]	11.40 [289.6]	11.15 [283.3]



BASE PLATE D25-025-1033



METALLIC PUMP HEAD



PLASTIC PUMP HEAD

OUTLINE DRAWING
ALL DIMENSIONS ARE REFERENCE

PROPRIETARY STATEMENT
This document contains confidential and proprietary information and is not to be reproduced or the information contained therein disclosed to others without consent, in writing, from WANNER ENGINEERING INC.

DWN	05/07/2014	MSB
CHK'D		
APP'D		
USED ON		
NEXT ASSY		
	SHEET 1 OF 1	
SCALE: 1:3		FORM DBLK

WANNER ENGINEERING INC 1204 CHESTNUT AVE. MPLS, MN 55403		SIZE D
TITLE	ASSY, PUMP, P600 & 63 REDUCER W/INPUT FLANGE	REV.
DWG NO	P600 PUMP SERIES FB63	