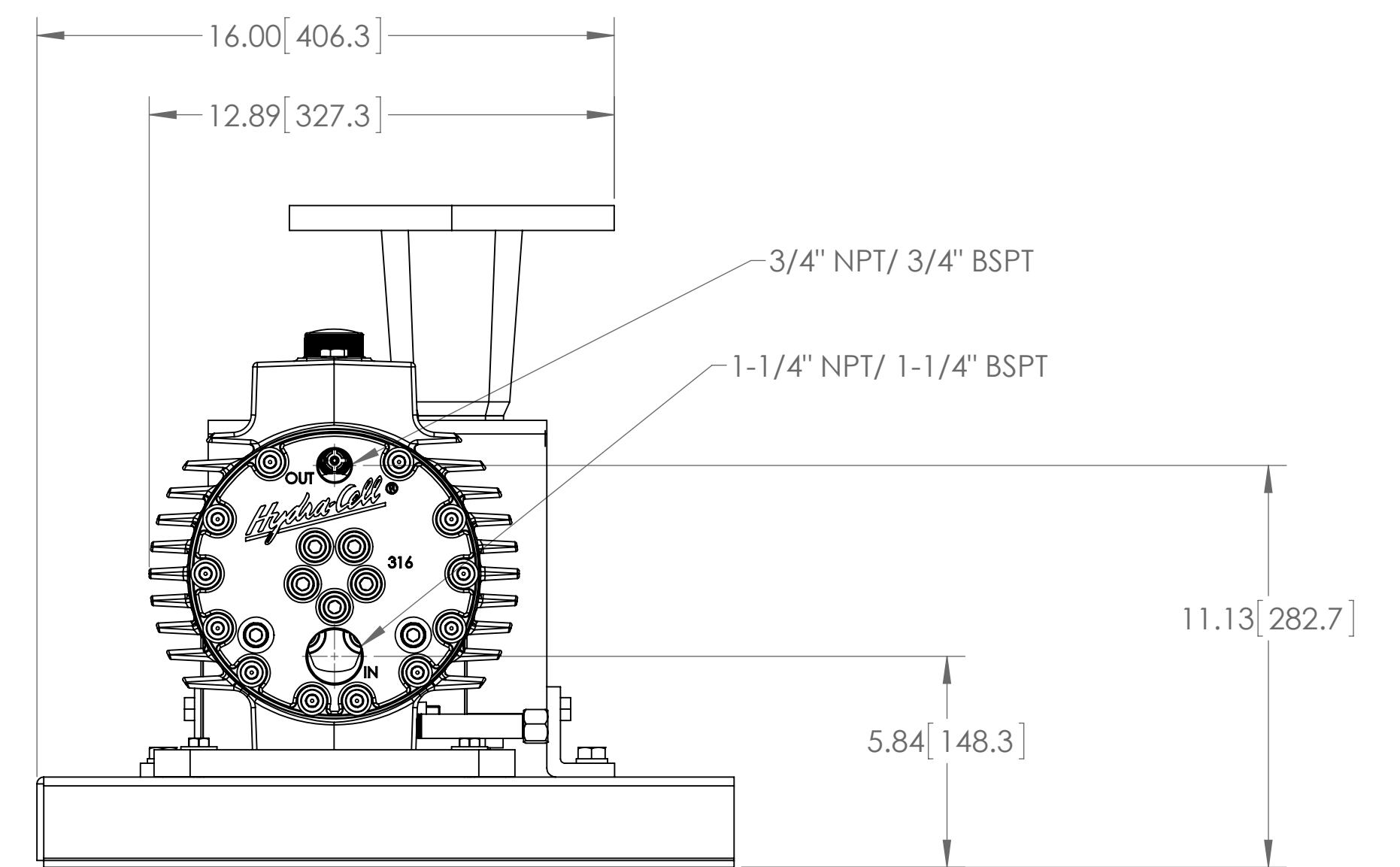
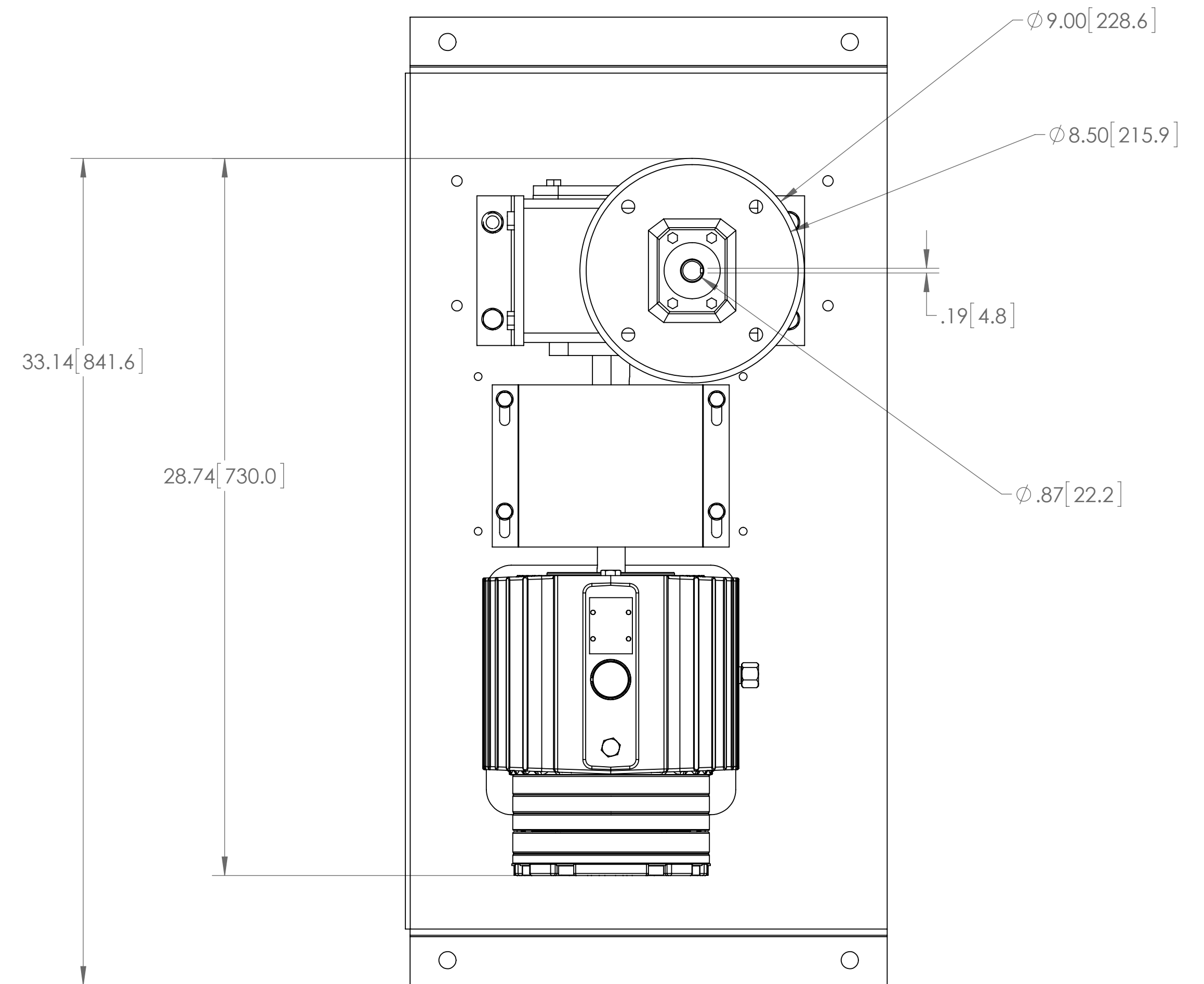
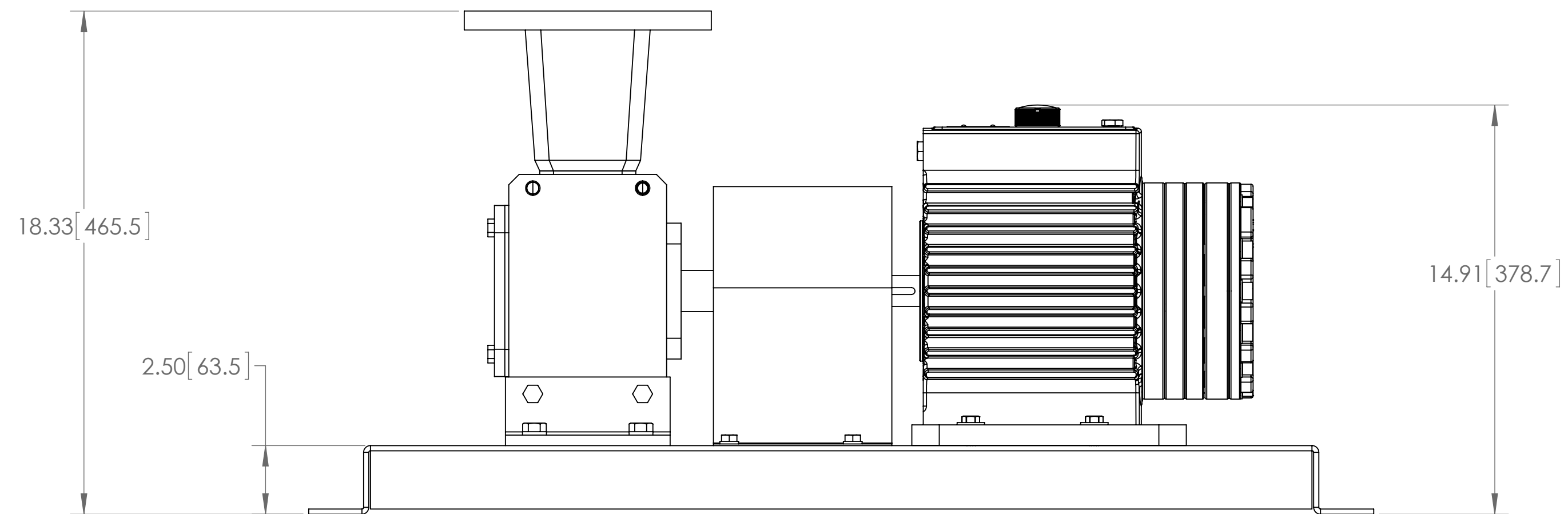


BASE PLATE 112-717



NOTES:
1 DIMENSIONS IN BRACKETS ARE IN MILLIMETERS

OUTLINE DRAWING
ALL DIMENSIONS ARE REFERENCE

PROPRIETARY STATEMENT
This document contains confidential and proprietary information and is not to be reproduced or the information contained therein disclosed to others without consent, in writing, from WANNER ENGINEERING INC.

DWN	03/04/2015	MSB
CHK'D		
APP'D		
USED ON		
NEXT ASSY		
SHEET 1 OF 1		
SCALE: 1:4		FORM DBLK

WANNER ENGINEERING INC
1204 CHESTNUT AVE. MPLS, MN 55403

TITLE P500 W/ FLEXALINE 232 REDUCER

DWG NO P500 SERIES CXX

SIZE D
REV. A