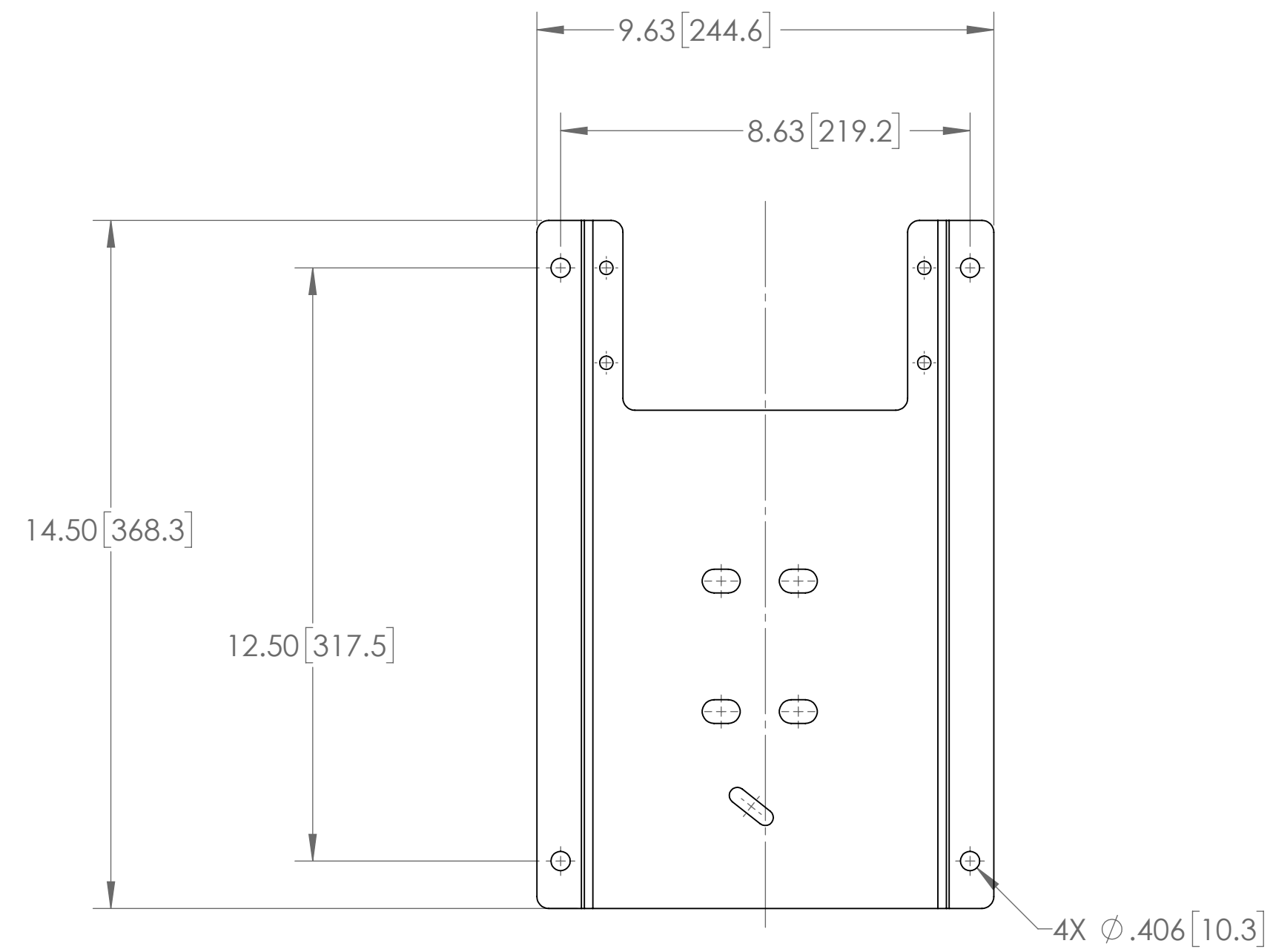
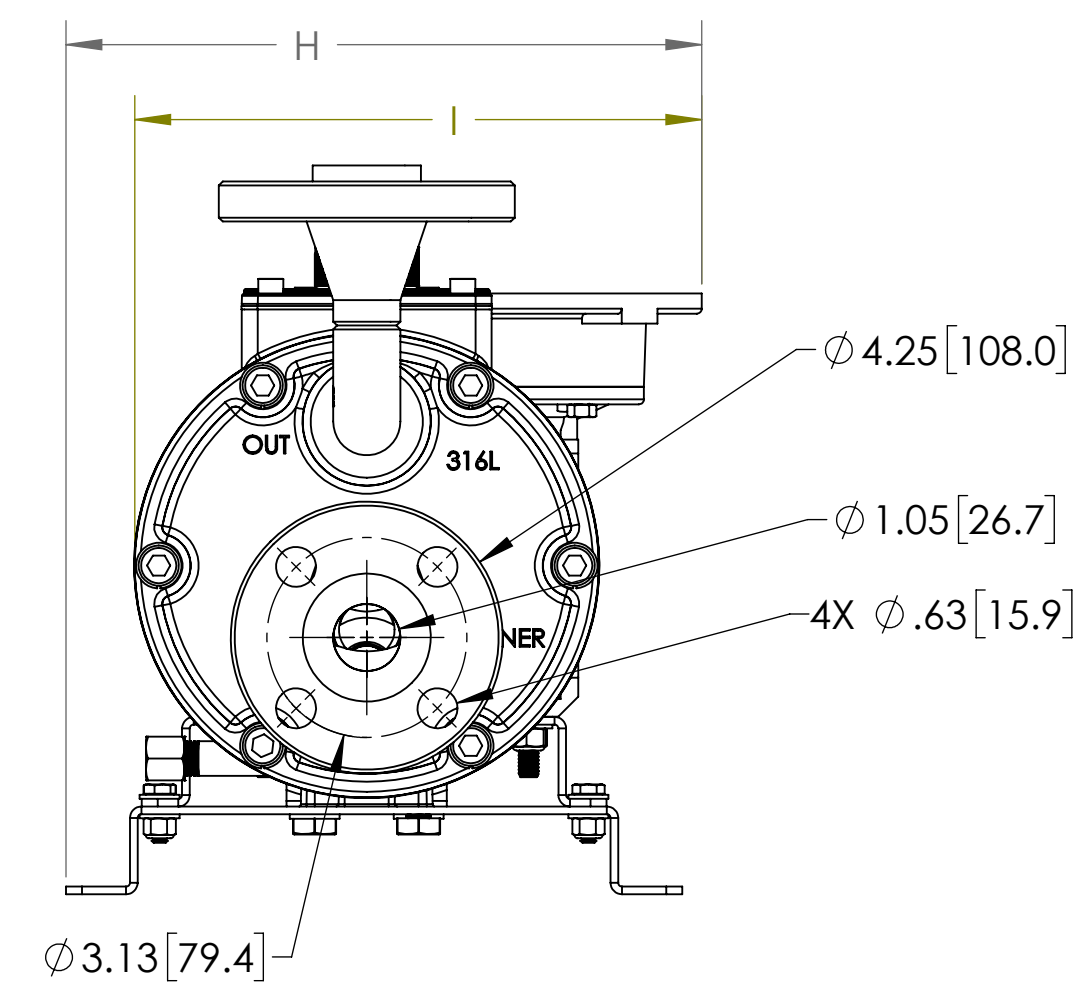
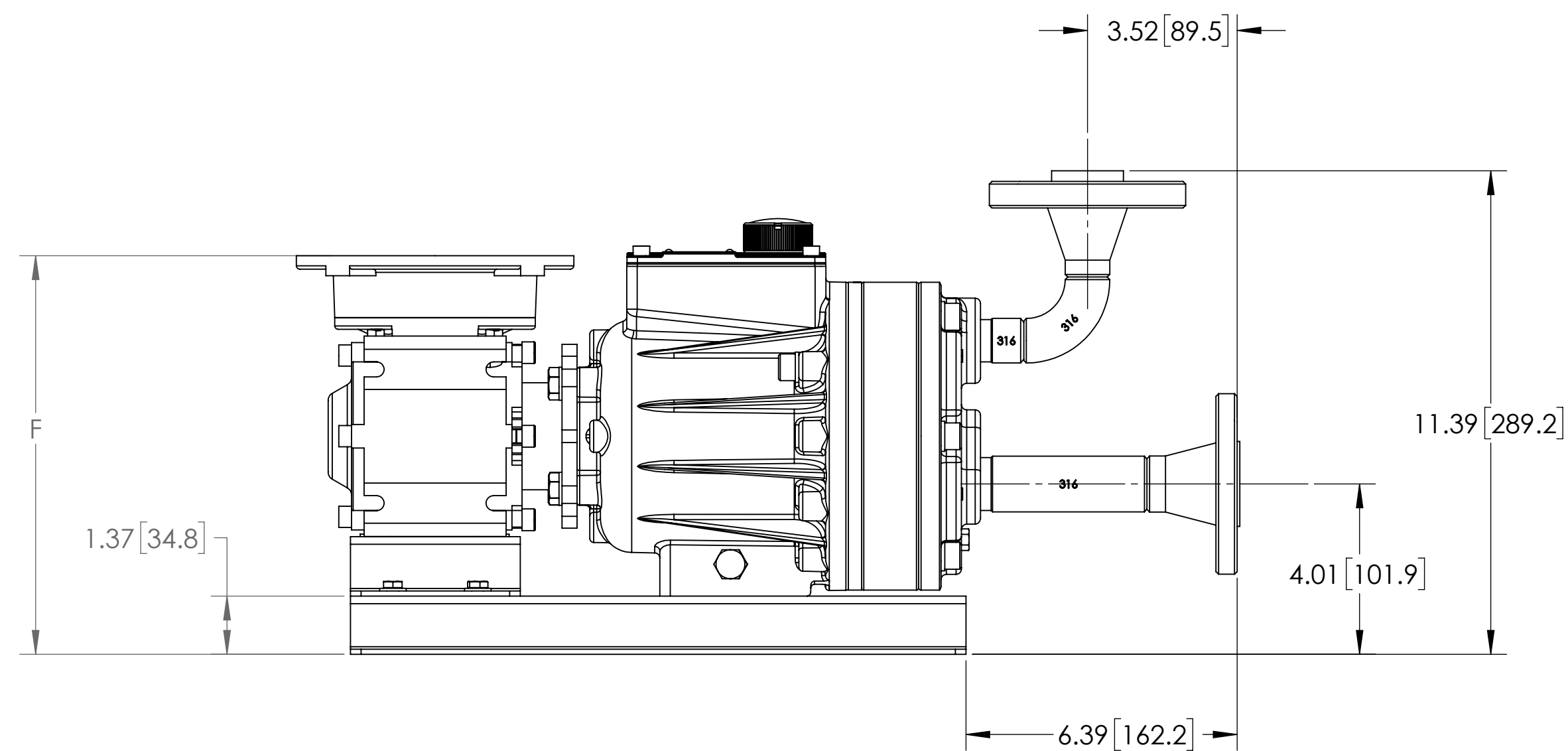
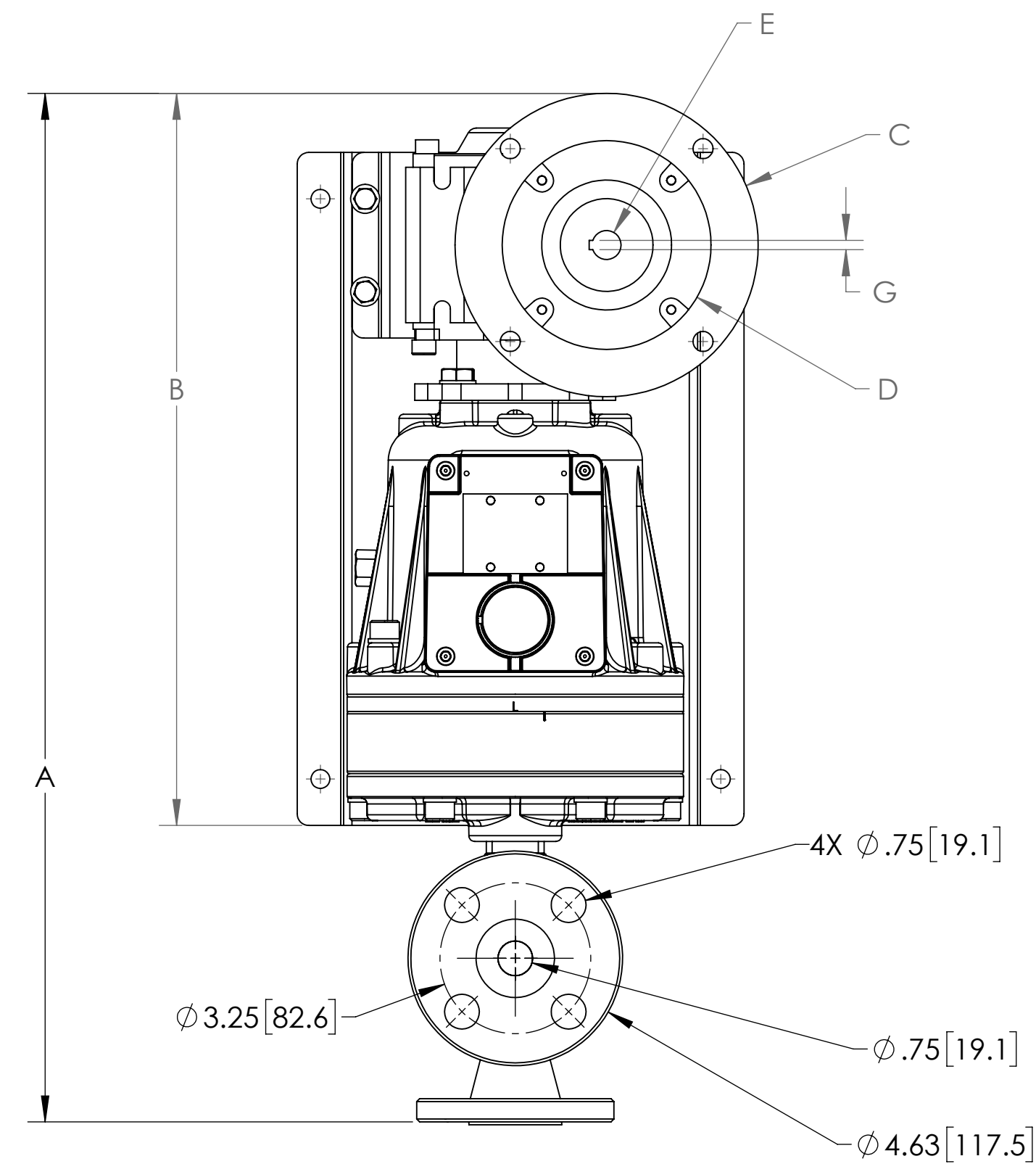


INPUT FRAME SIZE	DIMENSIONS: INCHES AND [MILLIMETERS]								
	A	B	C	D	E	F	G (SQUARE KEY)	H	I
NEMA 56C	22.16 [562.9]	15.77 [400.6]	∅ 6.54 [∅ 166]	∅ 4.50 [∅ 114.3]	∅ .62 [∅ 15.7]	9.39 [238.4]	.187 [4.75]	9.94 [252.4]	8.86 [225.1]
NEMA 143/145 TC	22.16 [562.9]	15.77 [400.6]	∅ 6.54 [∅ 166]	∅ 4.50 [∅ 114.3]	∅ .87 [∅ 22.2]	9.86 [250.4]	.187 [4.75]	9.94 [252.4]	8.86 [225.1]
IEC 63 B5	21.64 [549.7]	15.25 [387.4]	∅ 5.51 [∅ 140]	∅ 3.74 [∅ 95]	∅ .43 [∅ 11]	9.21 [233.9]	.157 [4]	9.43 [239.5]	8.35 [212.2]
IEC 71 B5	22.04 [559.8]	15.65 [397.5]	∅ 6.30 [∅ 160]	∅ 4.33 [∅ 110]	∅ .55 [∅ 14]	9.21 [233.9]	.196 [5]	9.82 [249.4]	8.74 [222.1]
IEC 80 B5	22.84 [580.1]	16.43 [417.32]	∅ 7.87 [∅ 200]	∅ 5.12 [∅ 130]	∅ .75 [∅ 19]	9.21 [233.9]	.236 [6]	10.61 [269.5]	9.53 [242.2]
IEC 90 B5	22.84 [581.1]	16.43 [417.32]	∅ 7.87 [∅ 200]	∅ 5.12 [∅ 130]	∅ .94 [∅ 24]	9.69 [246.9]	.315 [8]	10.61 [269.5]	9.53 [242.2]



BASE PLATE 112-01X



OUTLINE DRAWING
ALL DIMENSIONS ARE REFERENCE

PROPRIETARY STATEMENT
This document contains confidential and proprietary information and is not to be reproduced or the information contained therein disclosed to others without consent, in writing, from WANNER ENGINEERING INC.

DWN	04/07/2014	MSB
CHK'D		
APP'D		
USED ON		
NEXT ASSY		
SHEET 1 OF 1		
SCALE: 1:3	FORM DBLK	

WANNER ENGINEERING INC
1204 CHESTNUT AVE. MPLS, MN 55403

TITLE
ASSY, P400 WITH FLANGE

DWG NO
P400 PUMP SERIES

SIZE
D
REV.