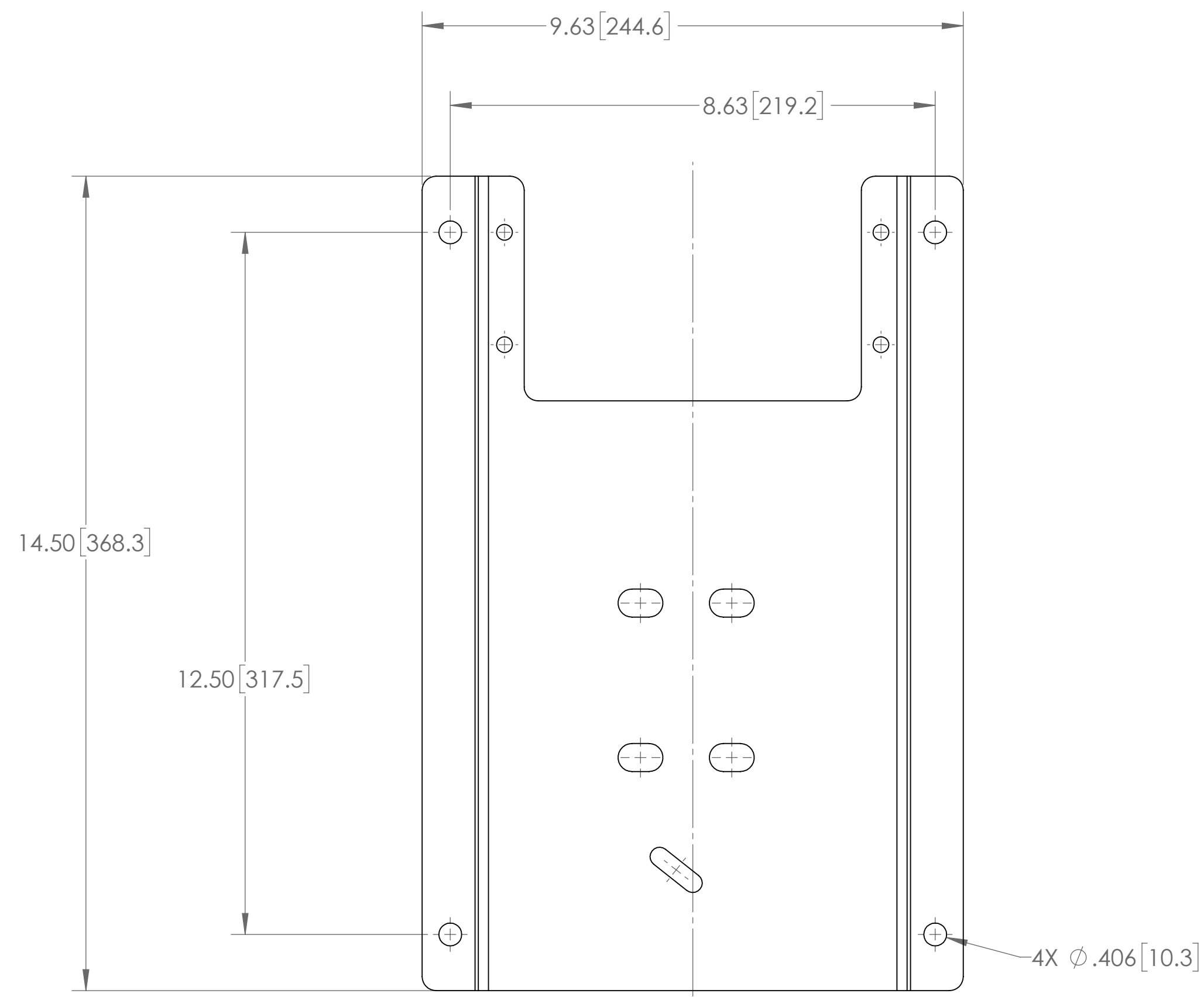
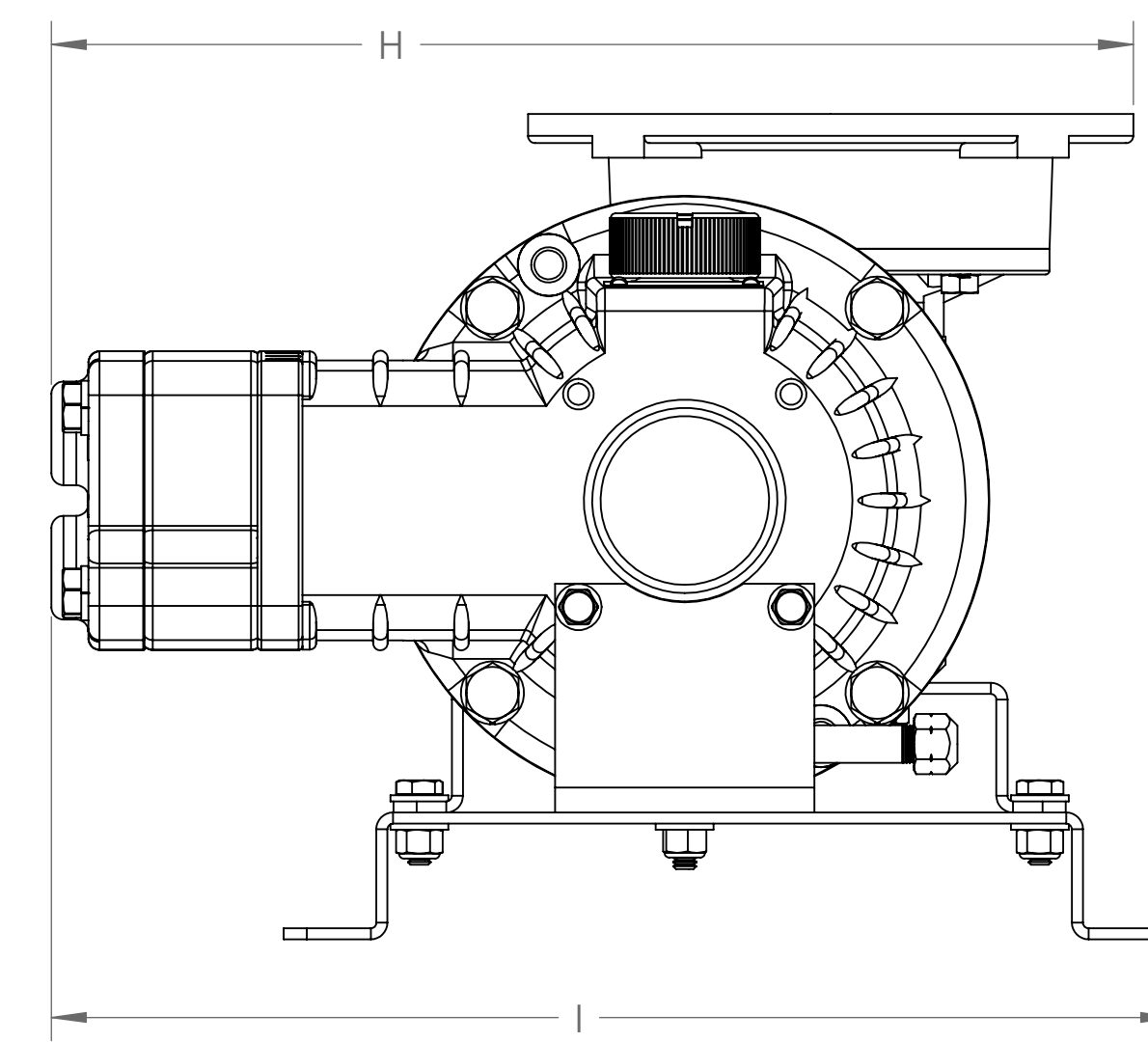
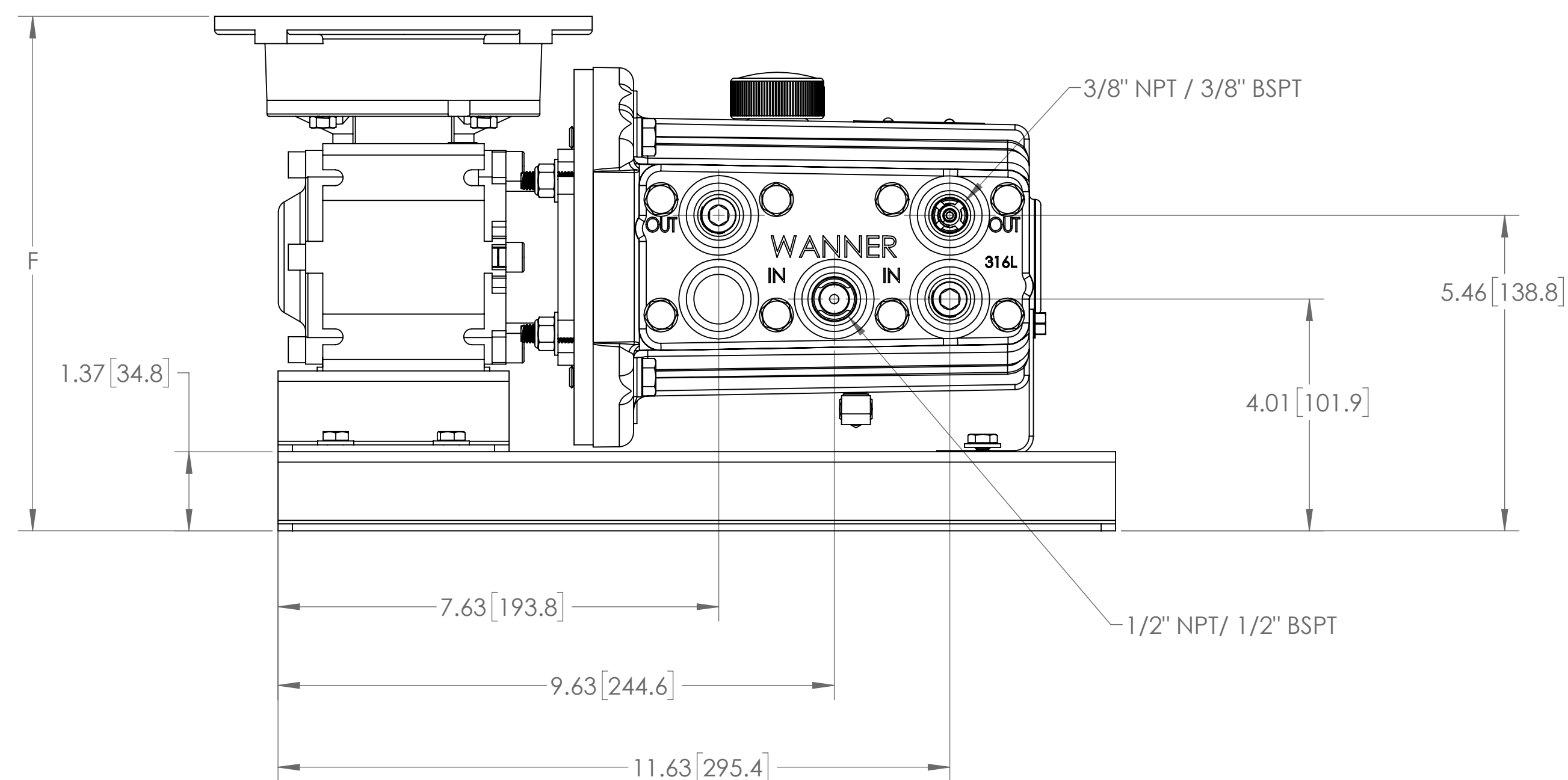
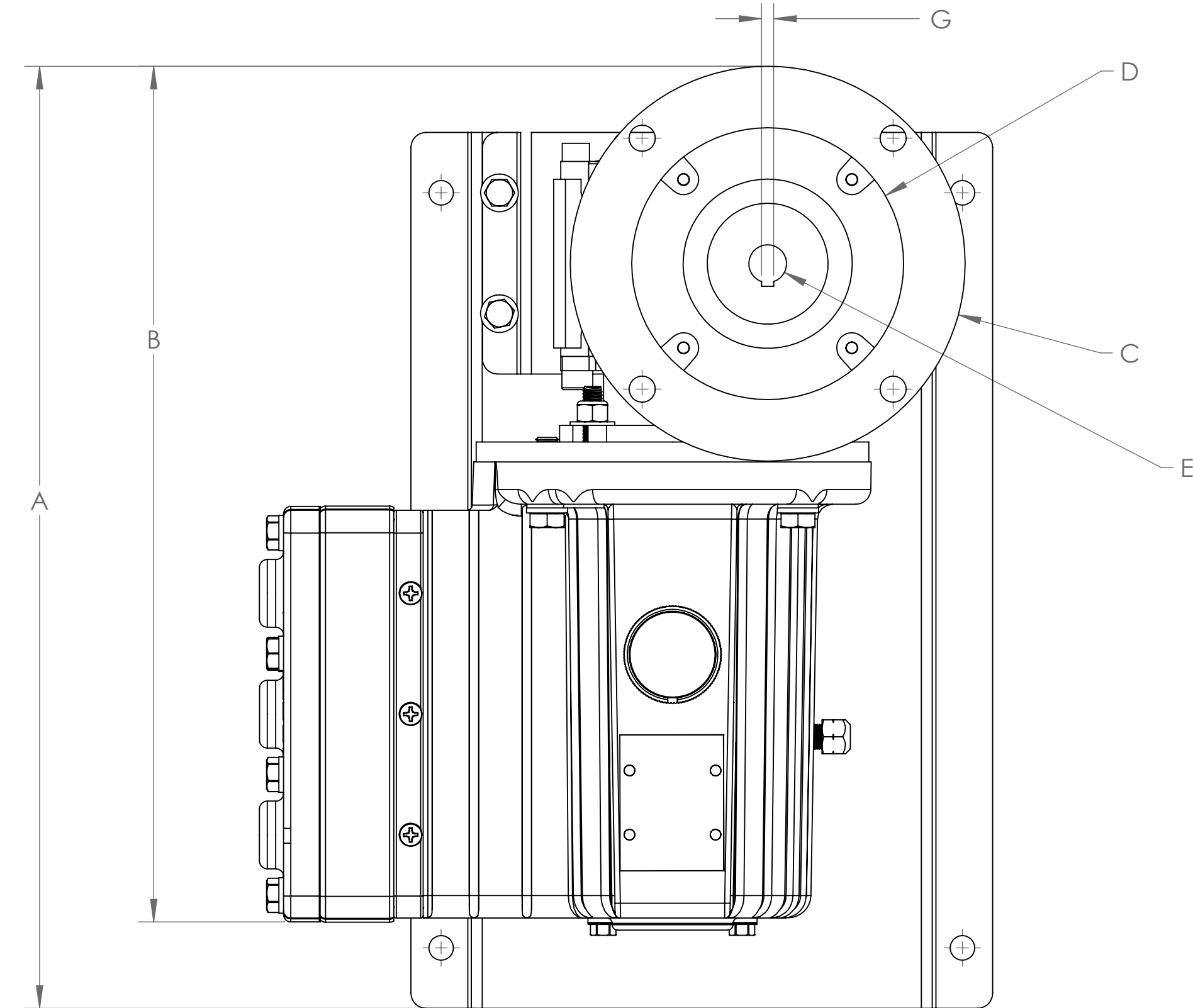


| INPUT FRAME SIZE | DIMENSIONS: INCHES AND [MILLIMETERS] | | | | | | | | | | |
|------------------|--------------------------------------|----------------|------------------|------------------|----------------|---------------|----------------|--------------------|-------------------|--------------------|-------------------|
| | A | B | C | D | E | F | G (SQUARE KEY) | H | | I | |
| | | | | | | | | METALLIC PUMP HEAD | PLASTIC PUMP HEAD | METALLIC PUMP HEAD | PLASTIC PUMP HEAD |
| NEMA 56C | 15.59 [396.1] | 14.17 [359.8] | ∅ 6.54 [∅ 166] | ∅ 4.50 [∅ 114.3] | ∅ .62 [∅ 15.7] | 8.97 [227.8] | .187 [4.7] | 11.68 [296.7] | 12.06 [306.3] | 12.14 [308.3] | 12.51 [317.75] |
| NEMA 143/145TC | 17.53 [445.3] | 16.04 [407.4] | ∅ 6.54 [∅ 166.1] | ∅ 4.50 [∅ 114.3] | ∅ .88 [22.3] | 11.09 [281.7] | .187 [4.7] | 11.68 [296.7] | 12.06 [306.3] | 12.14 [308.3] | 12.51 [317.75] |
| IEC 63 B5 | 15.08 [383] | 13.65 [346.7] | ∅ 5.51 [∅ 140] | ∅ 3.74 [∅ 95] | ∅ .43 [∅ 11] | 8.80 [223.5] | .157 [4] | 11.17 [283.7] | 11.55 [293.4] | 12.14 [308.3] | 12.51 [317.75] |
| IEC 71 B5 | 15.48 [393.1] | 14.05 [356.7] | ∅ 6.30 [∅ 160] | ∅ 4.33 [∅ 110] | ∅ .55 [∅ 14] | 8.80 [223.5] | .196 [5] | 11.56 [293.6] | 11.94 [303.3] | 12.14 [308.3] | 12.51 [317.75] |
| IEC 80 B5 | 16.26 [413] | 14.835 [376.7] | ∅ 7.87 [∅ 200] | ∅ 5.12 [∅ 130] | ∅ .75 [∅ 19] | 8.80 [223.5] | .236 [6] | 12.35 [313.7] | 12.72 [323] | 12.14 [308.3] | 12.51 [317.75] |



BASE PLATE 112-01X



OUTLINE DRAWING
ALL DIMENSIONS ARE REFERENCE

PROPRIETARY STATEMENT
This document contains confidential and proprietary information and is not to be reproduced or the information contained therein disclosed to others without consent, in writing, from WANNER ENGINEERING INC.

| | | |
|--------------|------------|-----|
| DWN | 04/01/2014 | MSB |
| CHK'D | | |
| APP'D | | |
| USED ON | | |
| NEXT ASSY | | |
| SHEET 1 OF 1 | | |
| SCALE: 1:2 | FORM DBLK | |

WANNER ENGINEERING INC
1204 CHESTNUT AVE. MPLS, MN 55403

TITLE
P200 W/ NORD REDUCER AND INPUT FLANGE
DWG NO

P200 PUMP SERIES

SIZE
D
REV.