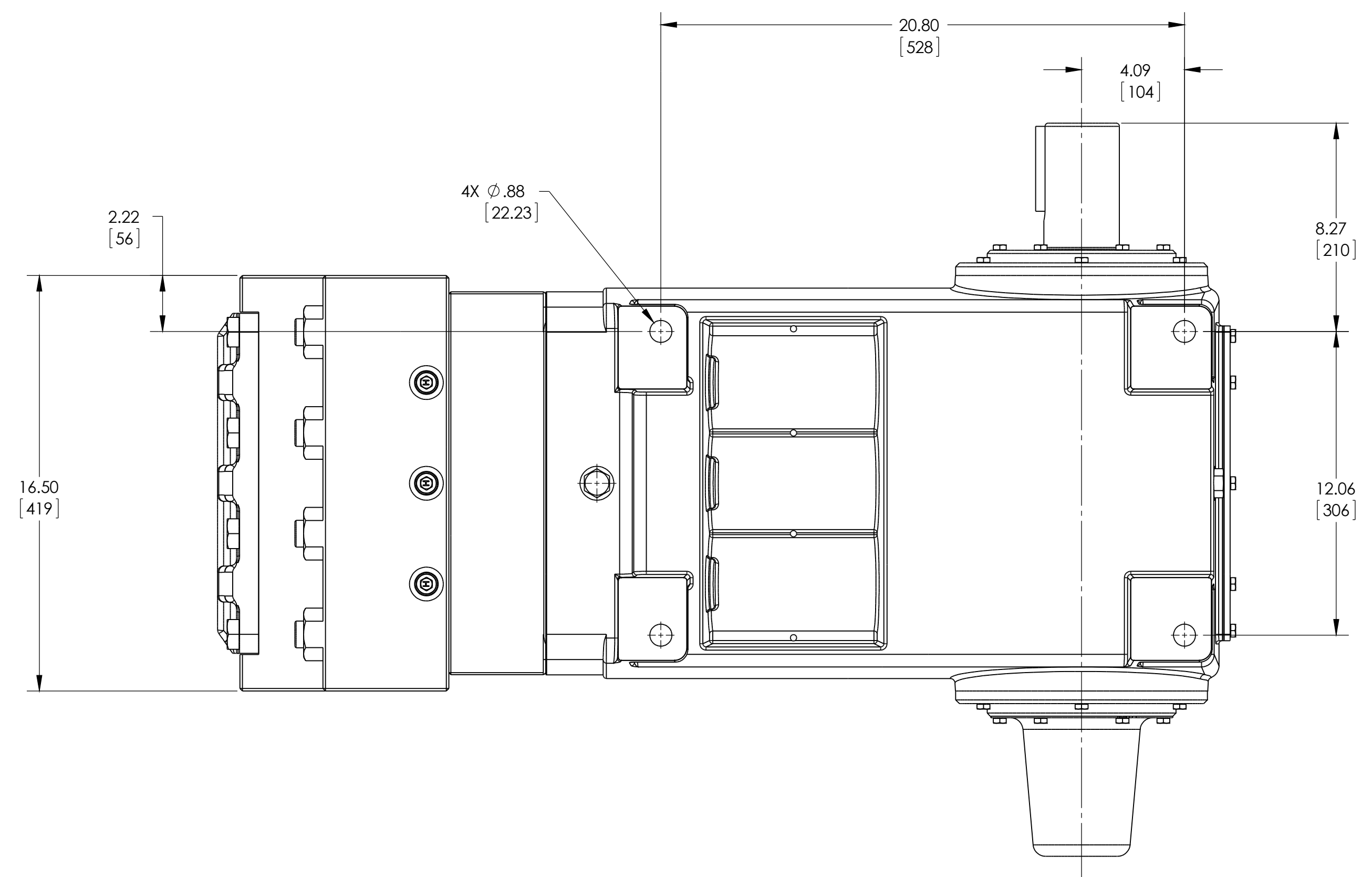
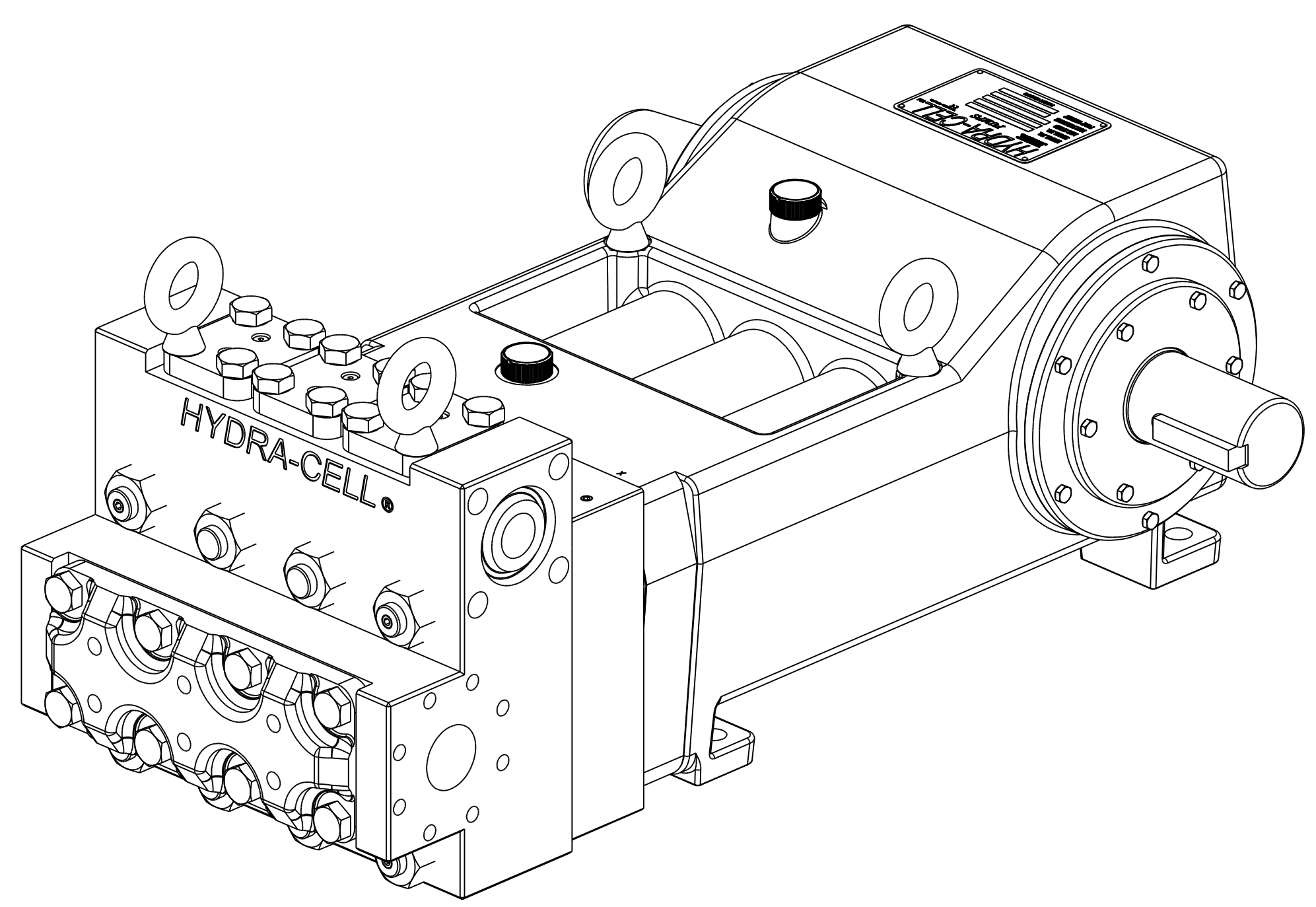
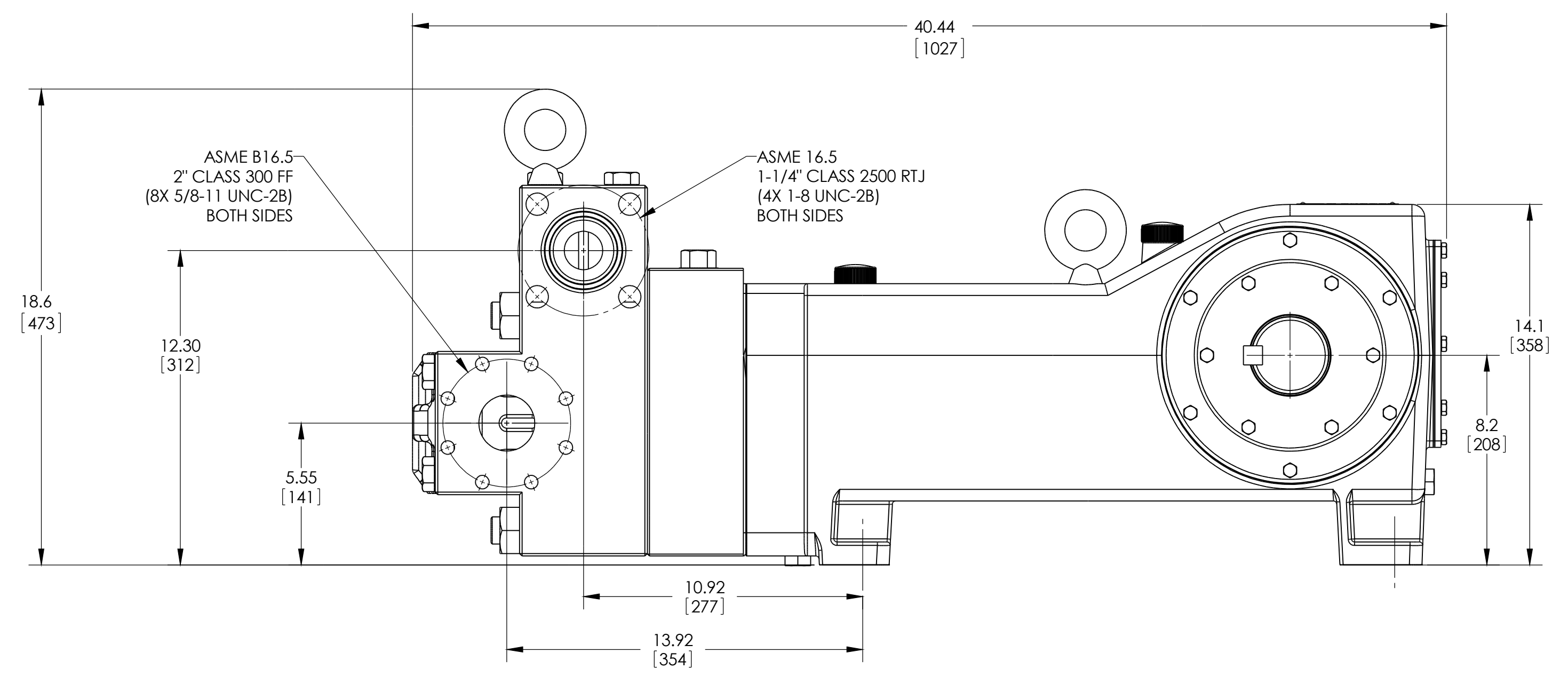
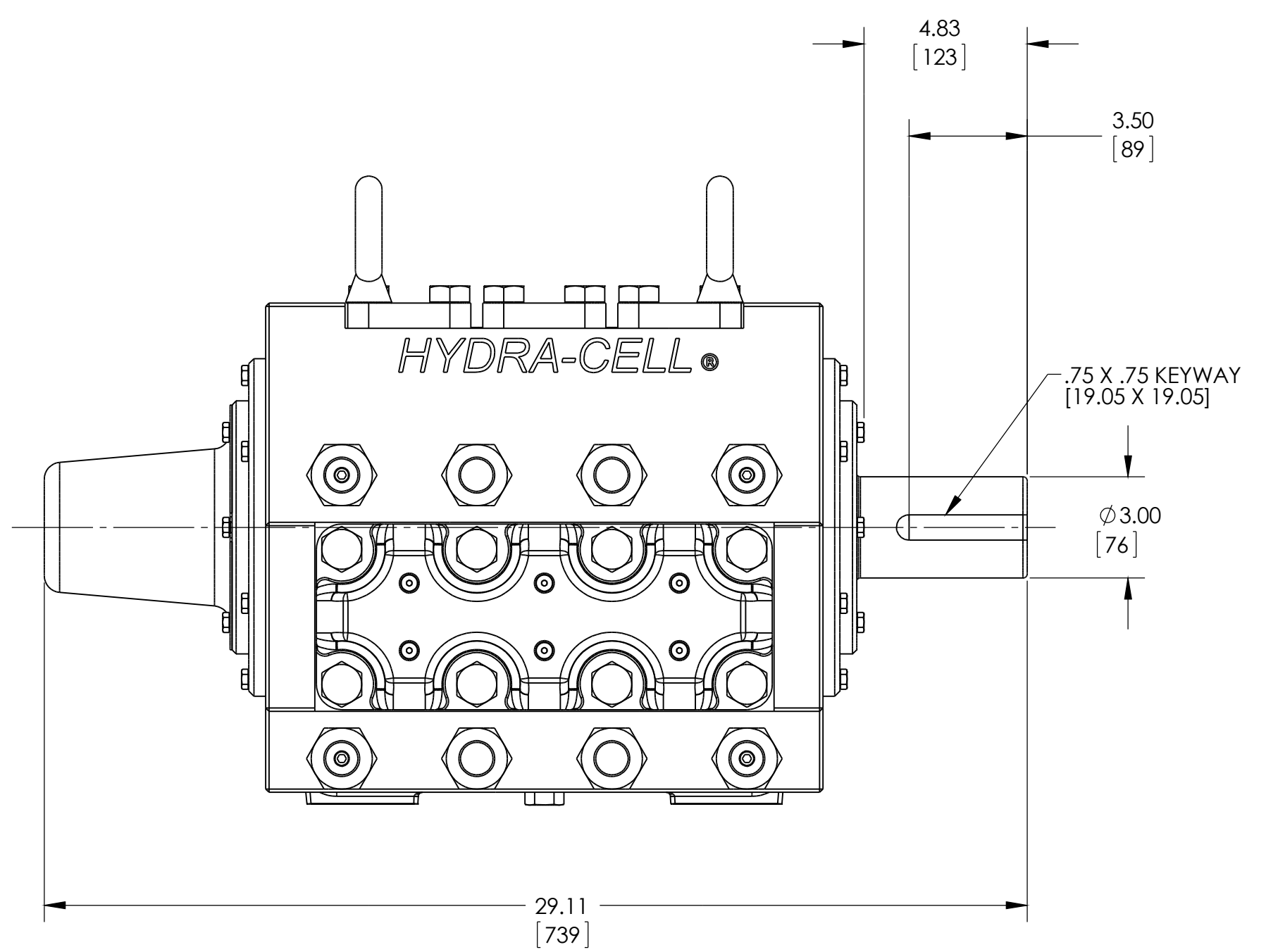


REVISIONS				
REV	DESCRIPTION	DATE	ECO	DWN
	RELEASE.	1/12/2012		AKL
	ADD DIMENSIONS.	10/8/2012		AKL
	UPDATED TO CURERNET VIEWS	3/16/15		DMH



OUTLINE DRAWING
ALL DIMENSIONS ARE REFERENCE

PROPRIETARY STATEMENT
This document contains confidential and proprietary information and is not to be reproduced or the information contained therein disclosed to others without consent, in writing, from WANNER ENGINEERING INC.

DWN	02/17/10	AKL
CHK'D		
APP'D		
USED ON		
NEXT ASSY		
	SHEET 1 OF 1	
SCALE: 1:4		FORM DBLK

WANNER ENGINEERING INC
1204 CHESTNUT AVE. MPLS, MN 55403

TITLE
T8030 FLANGED OUTLINE DRAWING

DWG NO
T80-HR OUTLINE

SIZE
D
REV.
B