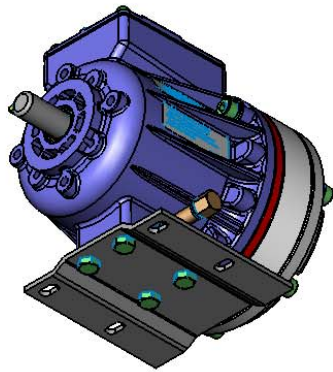
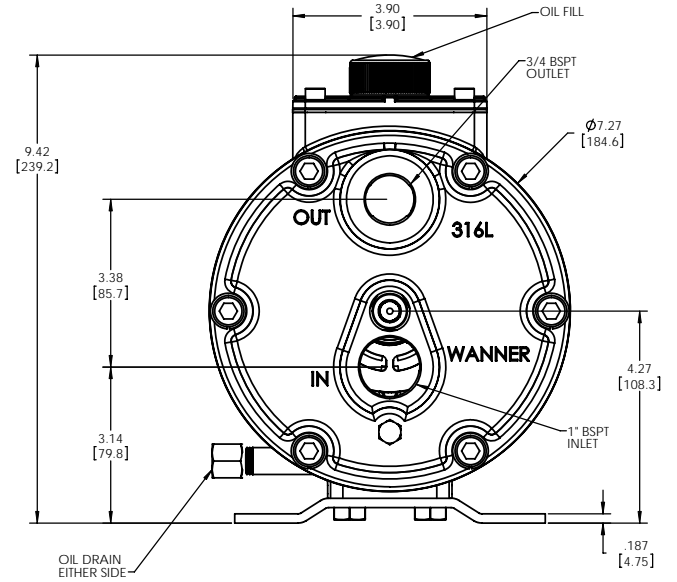
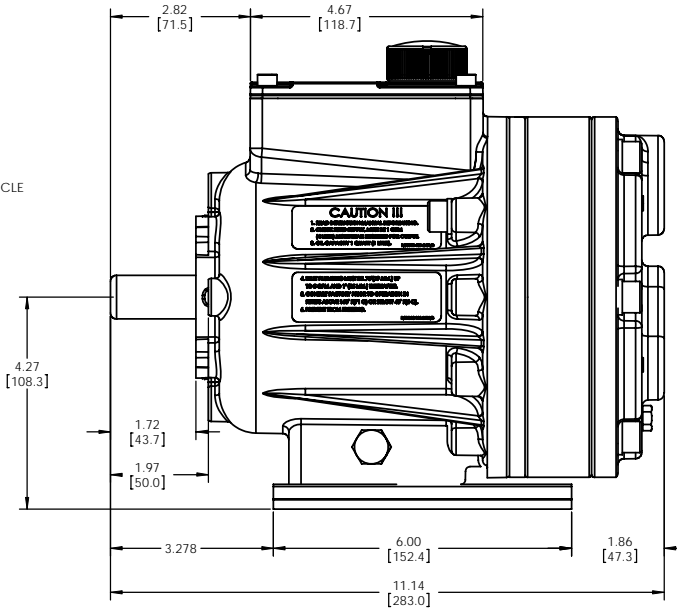
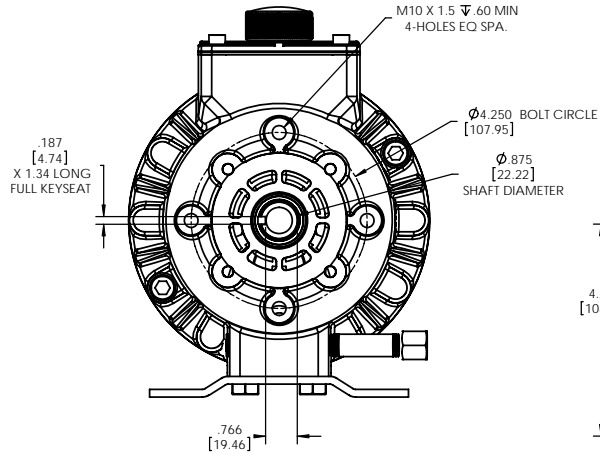
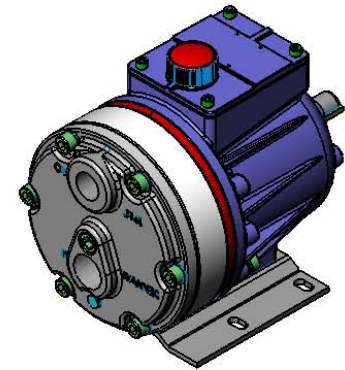
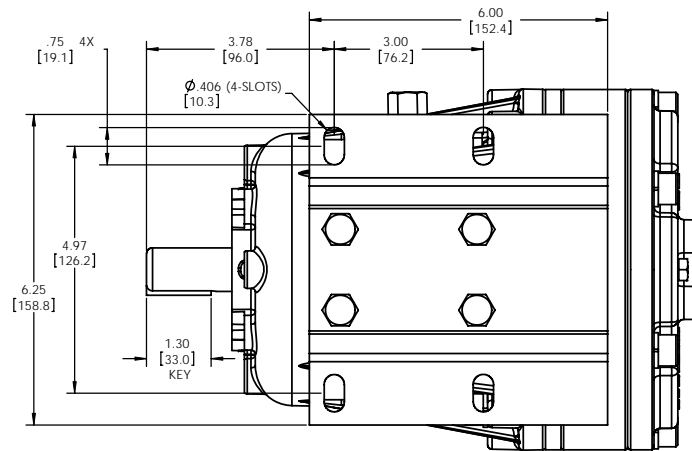


DWG NO
G10-000-1000-OD



ISOMETRIC VIEW



ISOMETRIC VIEW

OUTLINE DRAWING
ALL DIMENSIONS ARE REFERENCE

PROPRIETARY STATEMENT
This document contains confidential and proprietary
information and is not to be reproduced or disseminated
without consent in writing, from WANNER ENGINEERING INC.

DWN	04-08-08	GDI
CHK'D		
APP'D		
USED ON		
NEXT ASSY		
SHEET 1 OF 1		
SCALE: 1:1.25 FORM DBLK		

WANNER ENGINEERING INC
1204 CHESTNUT AVE. MPLS, MN 55403

TITLE
OUTLINE DRAWING, G10 MET BSPT

DWG NO
G10-000-1000-OD

SIZE
D

REV.